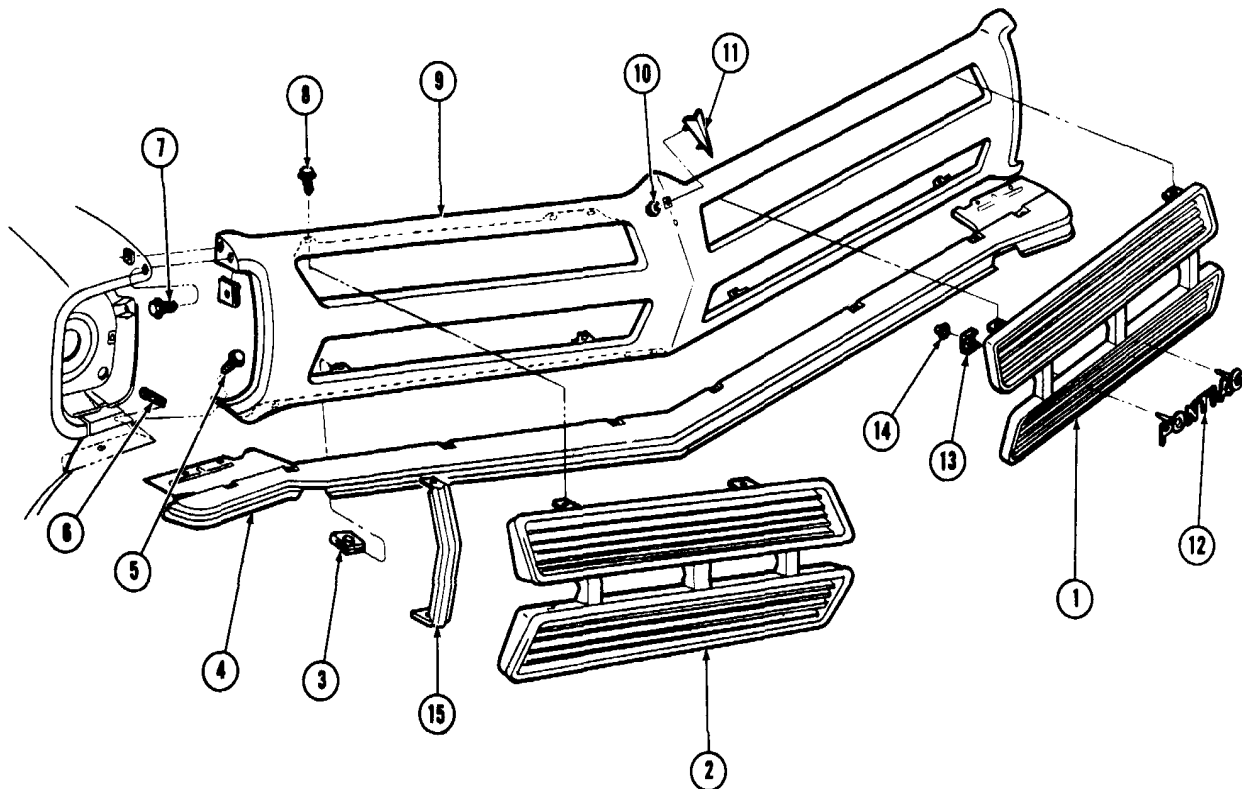


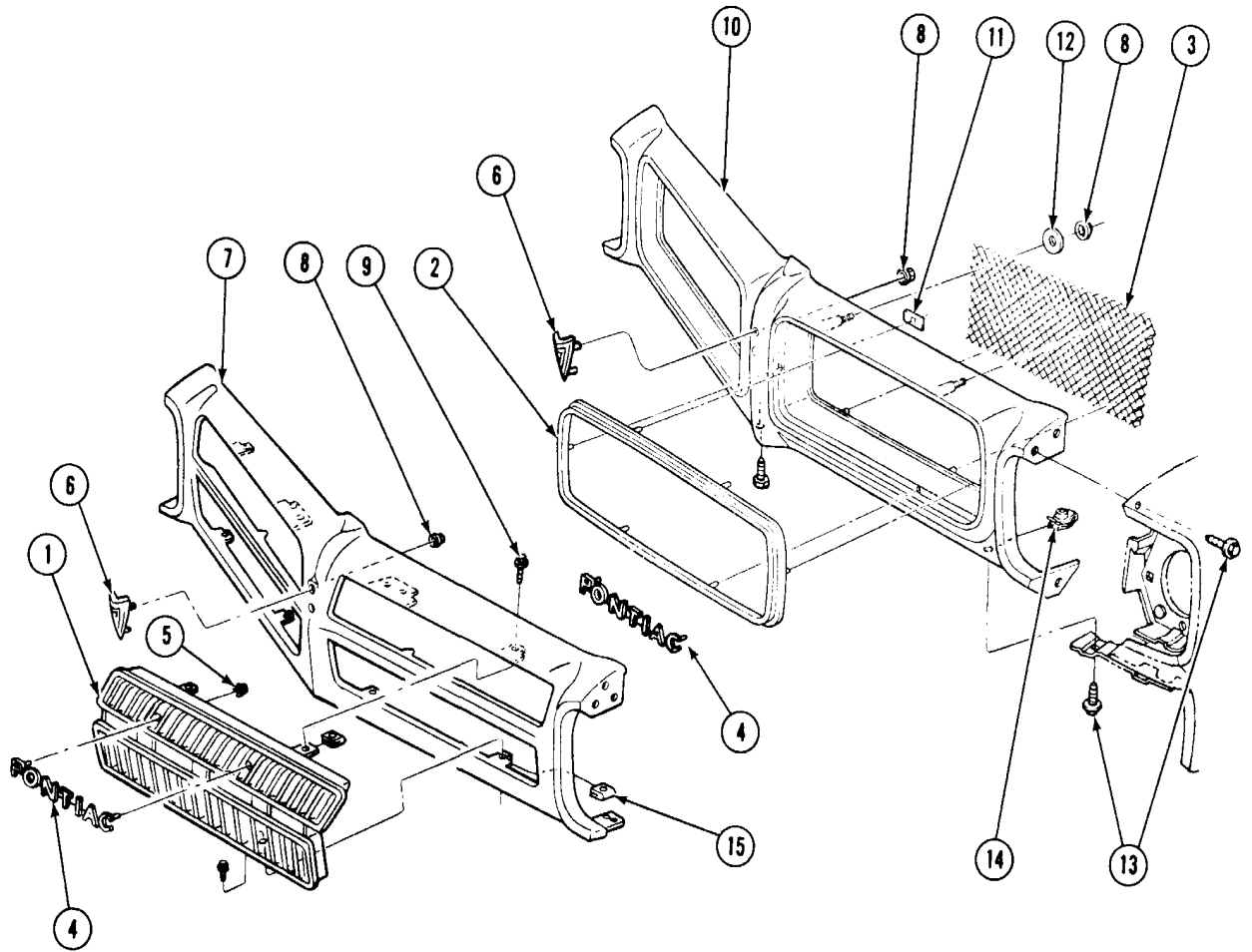
8-CYL. TIMING CHAIN COVER & WATER PUMP

Key	Part Name	Group No.	Key	Part Name	Group No.
1	GASKET PKG., Timing Chain Cover	0.207	5	HOUSING, Pump Internal	1.069
2	COVER ASM., Timing Chain	0.206	6	PUMP ASM., Water (Incl. #4)	1.069
3	SLEEVE & SEAL ASM., Pump Outlet	1.069	7	HUB, Water Pump and Fan	1.062
4	GASKET, Pump to Timing Chain Cover	1.079	8	SEAL, Timing Chain Cover Oil	0.213



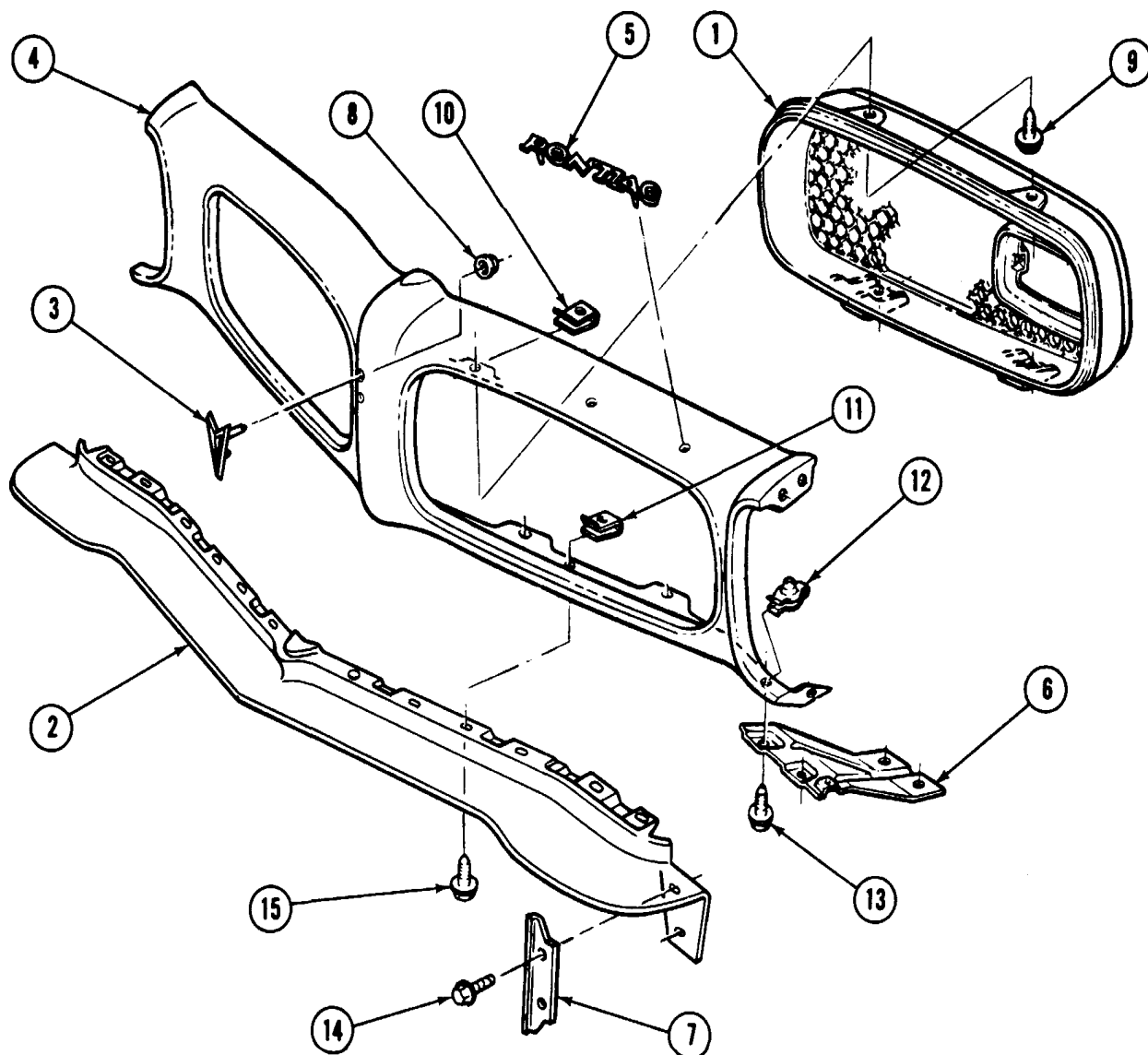
1971-72 GRILLES

Key	Part Name	Part No.	Group No.
1	GRILLE, Radiator (Silver) - L.H.	484429	1.266
	GRILLE, Radiator (Black) - L.H.	486208	1.266
2	GRILLE, Radiator (Silver) - R.H.	484428	1.266
	GRILLE, Radiator (Black) - R.H..	486207	1.266
3	NUT (1/4"-14 "U")	9422619	8.921
4	PANEL, Bumper Close out	484204	1.266
5	SCREW (5/16"-18 x 3/4")	3860314	1.276
6	NUT (5/16"-18 "U")	-	N.S.
7	SCREW (5/16"-18 x 7/8")	9411835	8.977
8	SCREW (1/4"-14 x 3/4")	9425451	8.977
9	PANEL, Grille Center	491869	1.266
10	NUT (1/8")	9420201	8.921
11	EMBLEM PKG., Crest	485603	1.303
12	PLATE PKG., Name - "Pontiac"	485602	1.303
13	BRACKET, Grille Emblem	9789188	1.303
14	NUT (1/8")	9420201	8.921
15	REINFORCEMENT, Rad.Grille.	9795223	1.266



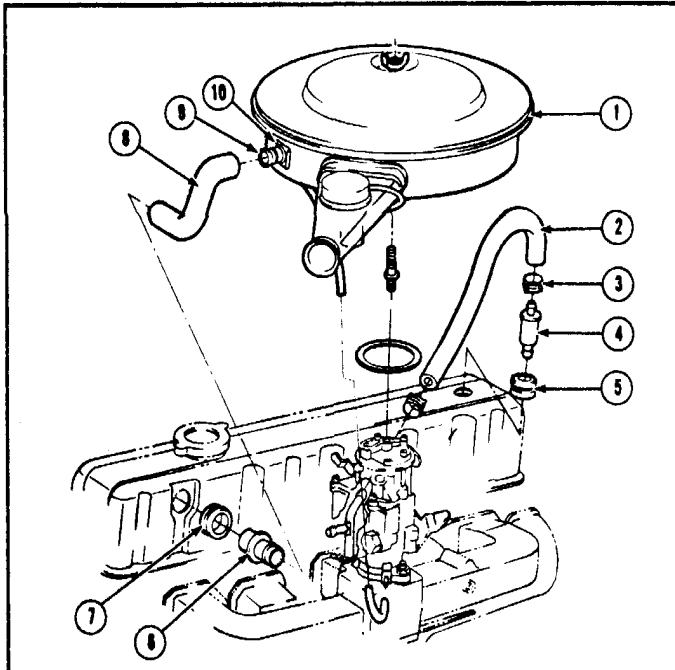
1973 GRILLES

Key	Part Name	Part No.	Group No.
1	GRILLE, Radiator (Exc. Sprint)	489131-32	1.266
2	BEZEL PKG., Grille (Sprint)	491730-31	1.266
3	GRILLE, Radiator (Sprint)	491171	1.266
4	PLATE PKG., Name "Pontiac"	487735	1.303
5	NUT (1/8")	9420184	8.921
6	EMBLEM PKG., Panel Crest	485603	1.303
7	PANEL, Grille (Exc. Sprint)	491869	1.266
8	NUT (3/16")	9420621	8.921
9	SCREW (1/4"-14 x 3/4")	9425451	8.977
10	PANEL, Grille (Sprint)	490845	1.266
11	NUT (1/8" Push-on)	-	N.S.
12	WASHER (9/32" I.D. x 3/4" O.D.)	9422770	8.929
13	SCREW (5/16"-18 x 3/4")	3960314	1.276
14	NUT (5/16"-18 "U")	1494253	8.083
15	NUT (1/4"-14 "U")	9422619	8.921



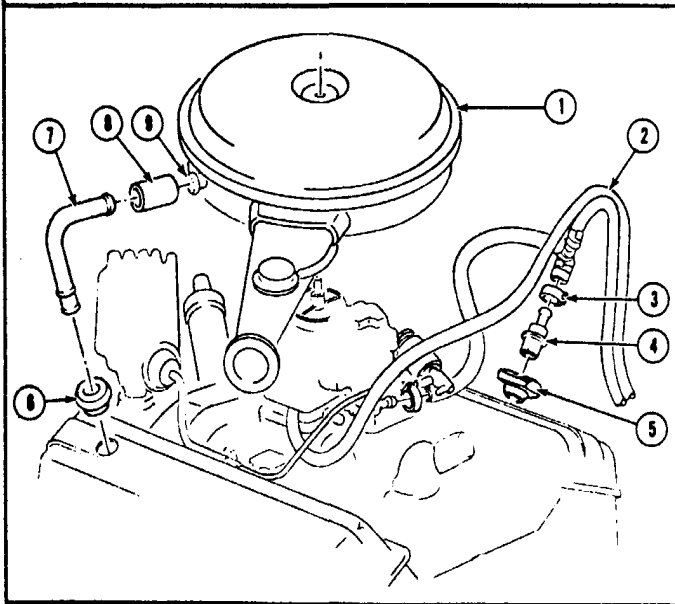
1974 GRILLES

Key	Part Name	Part No.	Group No.
1	GRILLE, Radiator (Exc. GTO)	492647-48	1.266
	GRILLE, Radiator (w/GTO)	492713-14	1.266
2	PANEL, Bumper Closeout	495914	7.831
3	EMBLEM PKG., Front Panel	493693	1.303
4	PANEL, Grille	491876	1.266
5	PLATE PKG., Panel - "Pontiac"	495125	1.303
6	REINFORCEMENT, Panel to Skirt	491224-25	1.266
7	RETAINER, Closeout Panel	495897	7.831
8	NUT (3/16")	9420621	8.921
9	SCREW (1/4"-14 x 3/4")	9425451	8.977
10	NUT (1/4"-14 "U")	9422619	8.921
11	NUT (#8-18 "U")	9417488	8.921
12	NUT (5/16"-18 "U")	1494253	8.083
13	SCREW (5/16"-18 x 3/4")	3960314	1.276
14	SCREW (#10-16 x 3/4")	-	N.S.
15	SCREW (#8-18 x 3/4")	-	N.S.



6 CYL. ENGINE

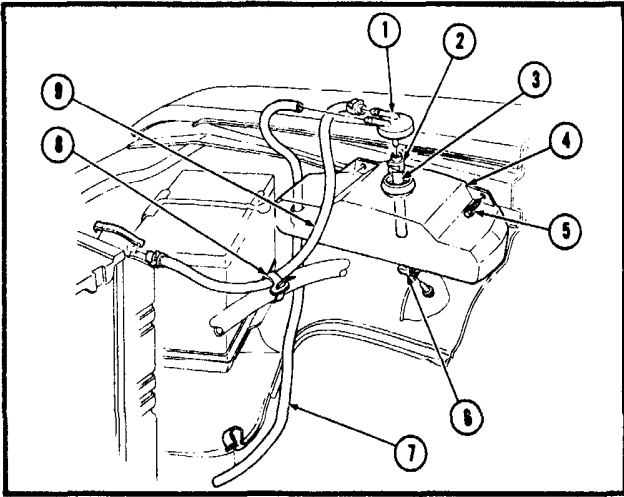
Key	Part Name	Group No.
1	CLEANER ASM., Carb. Air	3.402
2	HOSE, Crankcase Vent	1.762
3	CLAMP, C/C Vent Hose	8.948
4	VALVE ASM., Crankcase Vent	1.745
5	GROMMET, C/C Vent Valve	1.745
6	CONNECTOR, Vent Hose to Cover	1.745
7	GROMMET, Vent Hose Connector	1.745
8	HOSE, Air Cleaner to Rocker Arm Cover	1.762
9	ELEMENT, C/C Vent Air Filter	3.410
10	RETAINER, Air Filter Element	3.410



307 8 CYL. ENGINE

Key	Part Name	Group No.
1	CLEANER ASM., Carb. Air	3.402
2	HOSE, Vapor Purge (1/4" I.D.-5/32" I.D.- 3/8" I.D.)	8.962
3	CLAMP, C/C Vent Hose	8.948
4	VALVE ASM., Crankcase Vent	1.745
5	GROMMET, C/C Vent Valve	1.745
6	GROMMET, Rocker Arm Cover - Rear	1.745
7	PIPE, Crankcase Vent	1.762
8	HOSE, Crankcase Vent	1.762
9	ELEMENT, C/C Vent Air Filter	3.410

POSITIVE CRANKCASE VENTILATOR SYSTEMS



Key	Part Name	Group No.
1	CAP, Reservoir	1.203
2	CLAMP, Hose	1.166
3	HOSE, Reservoir (3/8" I.D. - Cut to Fit)	8.962
4	RESERVOIR, Coolant	1.219
5	SCREW, Tank to Fender (1/4"-14 x 5/8")	N.S.
6	NUT, Tank to Skirt (1/4"-14 "U")	8.921
7	HOSE, Drain (3/8" I.D. - Cut to Fit)	8.962
8	STRAP, Hose	N.S.
9	HOSE, Reservoir to Rad. (3/8" I.D. - Cut to Fit)	8.962

1973-74 8 CYL. ENG. COOLANT RECOVERY SYSTEMS