

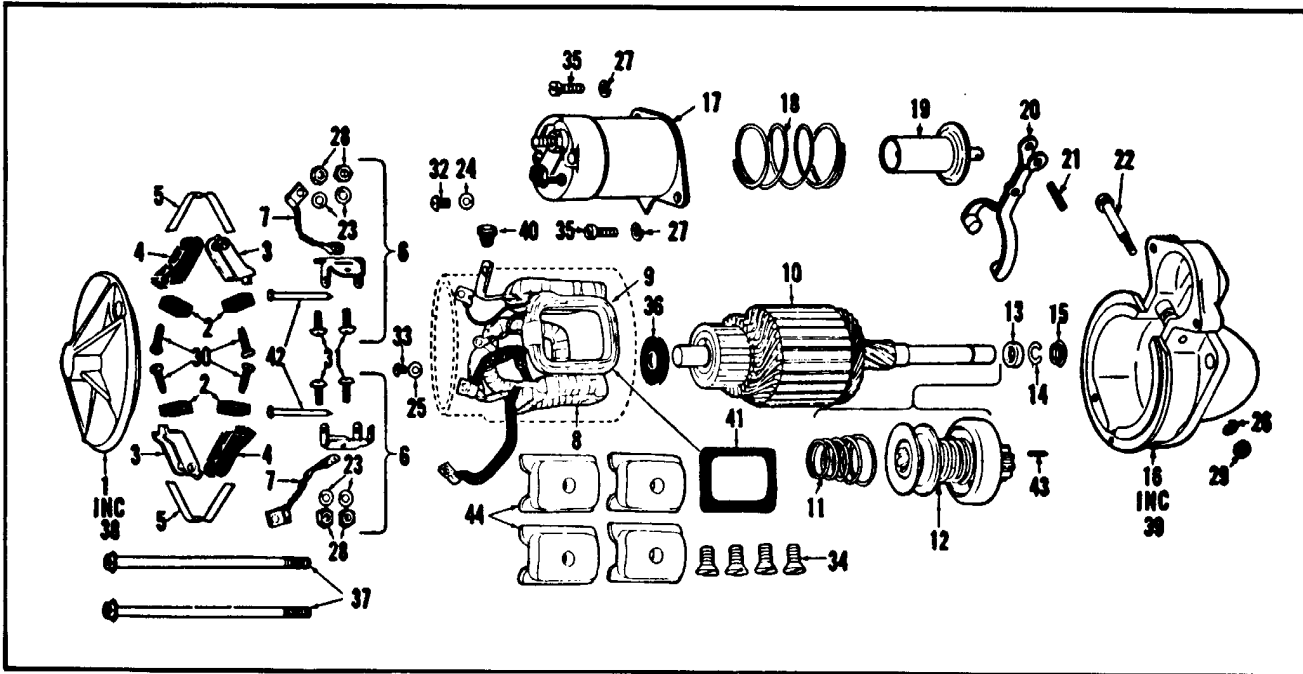
STARTING MOTORS

LISTED BELOW ARE STARTING MOTOR ASSEMBLIES AND USAGES

Refer To The Charts On The Following Pages For Component Parts

| PRODUCTION NO. | SERVICE NO. | APPLICATION | CHART PAGE NO. |
|-------------------|----------------|---------------------|-------------------|
| 1108365 | 1108366 | 1971-74 6 Cyl. Eng. | 2-3 |
| 1108367 | 1108366 | 1971-72 307 Eng. | 2-3 |
| 1108498 | 1108498 | 1972-73 350 Eng. | 2-3 |
| 1108512 | 1108366 | 1973 307 Eng. | 2-3 |
| 1108224 | 1108224 | 1974 350 Eng. | 2-3 |

1971-74 STARTING MOTOR COMPONENT PARTS
(FOR STARTING MOTOR ASSY. APPLICATION REFER TO CHART PAGE 1)



MAJOR PARTS

| Starting Motor Assembly Number | Frame C.E. | Brush | Holder Ground | Holder Insul. | Spring Brush | Support Package | Lead Ground | Coil | Coil Shunt | Armature | Spring Assist | Drive Assembly |
|--------------------------------|------------|---------|---------------|---------------|--------------|-----------------|-------------|---------|------------|----------|---------------|----------------|
| | 1 | 2 | 3 | 4 | 5 | 6 | 7 | 8 | 9 | 10 | 11 | 12 |
| 1108224 | 1298966 | 1906945 | 1940477 | 1926618 | 1926622 | 1928015 | 1960864 | 1877291 | 1935131 | 1971568 | — | 1954842 |
| 1108365 | " | " | " | " | " | " | " | 1967968 | — | 1966228 | — | " |
| 1108366 | " | " | " | " | " | " | " | " | — | 1971568 | — | " |
| 1108367 | " | " | " | " | " | " | " | " | — | " | — | " |
| 1108498 | " | " | " | " | " | " | " | 1935128 | 1935131 | 1971568 | — | " |
| 1108512 | " | " | " | " | " | " | " | 1967968 | — | " | — | " |

| Starting Motor Assembly Number | Collar Stop | Ring Retaining | Collar Thrust | Housing Drive | Switch | Spring Plunger | Plunger Shift | Lever Shift | Pin Lever | Stud Lever |
|--------------------------------|-------------|----------------|---------------|---------------|---------|----------------|---------------|-------------|-----------|------------|
| | 13 | 14 | 15 | 16 | 17 | 18 | 19 | 20 | 21 | 22 |
| 1108224 | 1927849 | 1927848 | 1927850 | 801227 | 1114379 | 1958679 | 1941113 | 801433 | 456652 | 1945804 |
| 1108365 | " | " | " | 1965721 | 1114356 | " | " | 1951567 | " | " |
| 1108366 | " | " | " | 1968122 | " | " | " | " | " | " |
| 1108367 | " | " | " | " | " | " | " | " | " | " |
| 1108498 | " | " | " | 801227 | 1114379 | " | " | 801433 | " | " |
| 1108512 | " | " | " | 1968122 | 1114356 | " | " | 1951567 | " | " |



1971-74 STARTING MOTOR COMPONENT PARTS

MINOR PARTS

| KEY | DESCRIPTION | 1108224 | 1108365 | 1108366 | 1108367 | 1108498 | 1108512 |
|-----|---|---------|---------|---------|---------|---------|---------|
| 23 | LOCKWASHER, Brush Holder Support Screw | — | 453435 | 453435 | 453435 | — | — |
| 24 | LOCKWASHER, Field Lead Screw—To Switch | — | — | — | — | — | — |
| 25 | LOCKWASHER, Field Lead Screw—To Connector | — | — | — | — | — | — |
| 26 | LOCKWASHER, Shift Lever Stud | — | — | — | — | — | — |
| 27 | LOCKWASHER, Switch Attach. Screw | — | 9421423 | 9421423 | 9421423 | — | — |
| 28 | NUT, Support Screw—Pkg. of 100 | 5721822 | * | * | * | — | — |
| 29 | NUT, Shift Lever Stud | — | 124824 | — | — | — | — |
| 30 | SCREW, Brush | 448015 | * | * | * | * | * |
| 31 | SCREW, Support | 274738 | * | * | * | * | * |
| 32 | SCREW, Field Lead | 9427815 | * | * | * | * | * |
| 33 | SCREW | — | — | — | — | — | — |
| 34 | SCREW, Pole Shoe | 1970469 | * | * | * | * | * |
| 35 | SCREW, Switch Attach. | — | 132255 | — | 132255 | — | — |
| 36 | WASHER, Brake—C.E. | 818265 | * | * | * | * | * |
| 37 | BOLT, Thru—With Extension | 1941111 | — | * | * | * | * |
| | BOLT, Thru—Less Extension | — | 1939970 | 1939970 | 1939970 | 1939970 | 1939970 |
| 39 | BUSHING, D.E. | 1932190 | 1923907 | — | 1923907 | * | * |
| 40 | GROMMET, (In Field Frame) | 1966391 | * | * | * | * | * |
| 41 | INSULATOR, Field Coil | 1927853 | * | — | * | * | * |
| 42 | PIN, Support | 1938058 | 1966923 | — | 1966923 | * | 1966923 |
| 43 | PIN, Dowel—D.E. | 817313 | * | 809593 | * | * | 809593 |
| 44 | SHOE, Pole | 1931129 | * | — | * | * | * |

| SOLENOID SWITCH PARTS | 1114356 | 1114367 | 1114379 |
|-----------------------------------|---------|---------|---------|
| STUD, Term (3/8-16)—Motor | 1950120 | 1949890 | 1955499 |
| STUD, Term (8-32)—Switch | 822205 | 1950069 | 1950069 |
| CLIP, Term | 1937381 | — | — |
| COVER | 1963525 | 6258043 | 6258043 |
| GASKET, Cover | 1966034 | — | — |
| WASHER, Cover Screw | 1923935 | 1956015 | — |
| SCREW, Cover | 453468 | * | * |
| STUD, Term (8-32)—Resistor | 822205 | 1935644 | 1935644 |
| CONTACT, Term (8-32) | 1935645 | * | * |
| CONTACT & PUSH ROD | 1956226 | * | * |
| WASHER, Term Stud (3/8-16)—Rubber | 1950064 | — | — |
| WASHER, Term Stud (3/8-16)—Plain | 3765135 | — | — |
| WASHER, Term Stud (8-32)—Rubber | 1950071 | — | — |
| WASHER, Term Stud (8-32)—Plain | 1914476 | — | — |
| NUT, Term Stud (3/8-16) | 1904419 | — | — |
| SPRING, Contact Return | 1853342 | * | * |
| SCREW, Field Lead To Term (10-32) | 9427815 | — | — |
| SPRING, Plunger Return | 1958679 | * | * |

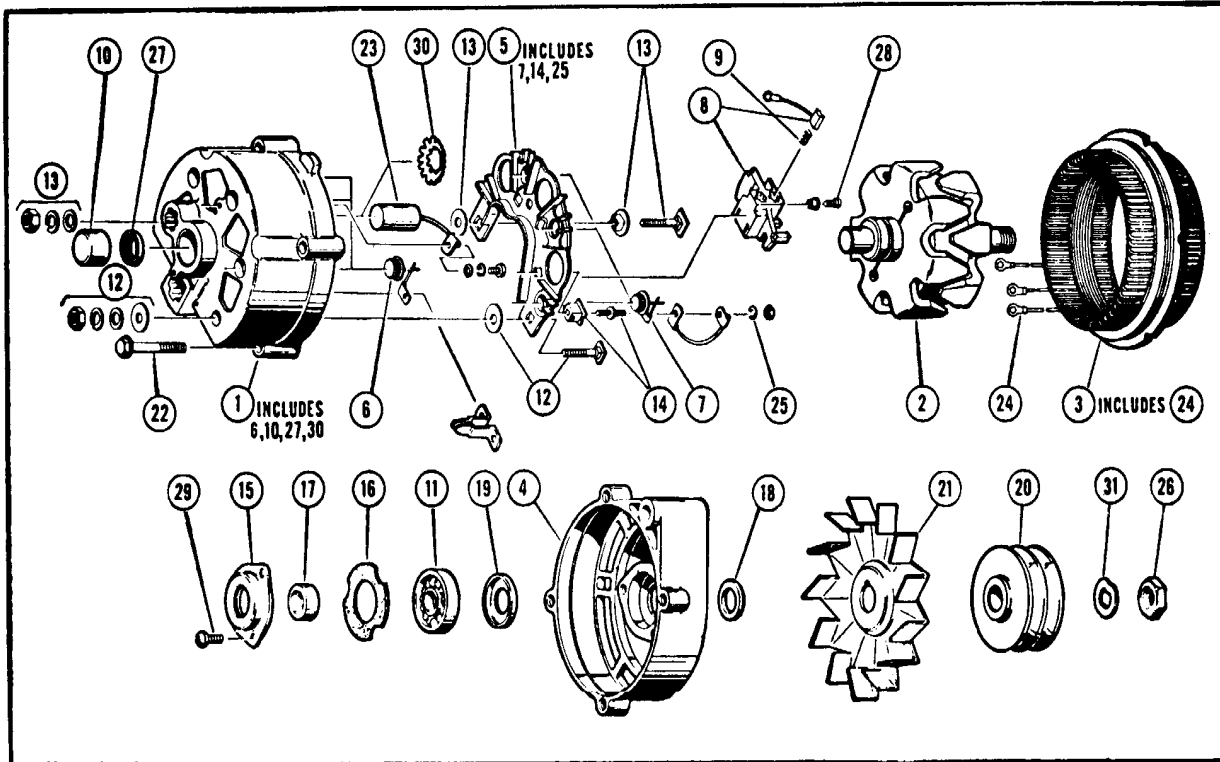


DELCOTRONS

LISTED BELOW ARE GENERATOR AND DELCOTRON ASSEMBLIES AND USAGES

Refer To The Charts On The Following Pages For Component Parts

| PRODUCTION NO. | SERVICE NO. | APPLICATION | CHART PAGE NO. |
|------------------|------------------|----------------------------|----------------|
| 1100566 (37 Amp) | 1100842 (42 Amp) | 1971 6 Cyl. Eng. Exc. P.S. | 2 |
| 1100836 (37 Amp) | " | 1971 6 Cyl. Eng. w/P.S. | 2 |
| 1100566 (37 Amp) | " | 1971 307 Eng. | 2 |
| 1100843 (61 Amp) | 1100849 (61 Amp) | 1971 307 Eng. | 2 |
| 1102440 (37 Amp) | 1102459 (42 Amp) | 1972 6 Cyl. or 307 Eng. | 3 |
| 1100927 (37 Amp) | 1100543 (42 Amp) | 1972 350 Eng. | 3 |
| 1102463 (61 Amp) | 1102455 (61 Amp) | 1972 307 Eng. | 3 |
| 1100928 (55 Amp) | 1100554 (63 Amp) | 1972 350 Eng. | 3 |
| 1100497 (37 Amp) | 1100543 (42 Amp) | 1973-74 6 Cyl. Eng. | 3 |
| 1100934 (37 Amp) | " | 1973 307 Eng. | 3 |
| 1100927 (37 Amp) | " | 1973-74 350 Eng. | 3 |
| 1100597 (61 Amp) | 1100554 (63 Amp) | 1973 307 Eng. | 3 |
| 1100928 (55 Amp) | " | 1973-74 350 Eng. | 3 |



1971 DELCOTRON COMPONENT PARTS

For the following Delcotrons: 1100566, 1100836, 1100842, 1100843, 1100849

For Delcotron Usage Refer To Delcotron Chart Page 1

| Key | Description | Part No. |
|-----|-----------------------------|----------|
| 1 | Frame, S.R.E. | 800396 |
| 2 | Rotor | 1958565 |
| 3 | Stator—For 1100849 | 1962025 |
| | —For 1100566—836—842—849 | 1959381 |
| 4 | Frame, D.E. | 1959917 |
| 5 | Heat, Sink | 1959828 |
| 6 | Diode, Neg. | 1959830 |
| 7 | Diode, Pos. | 1959829 |
| 8 | Brush Holder | 1964682 |
| 9 | Spring, Brush | 1964117 |
| 10 | Bearing, S.R.E.—For 1100566 | 1961323 |
| | —For 1100843 | 9427225 |
| | —For 1100836—842—849 | 9418076 |
| 11 | Bearing, D.E. | 5728798 |
| 12 | Terminal, Bat. | 1959832 |
| 13 | Terminal, Ground | 1959833 |
| 14 | Terminal, Diode | 1959834 |
| 15 | Plate, Bearing Retainer | 1971993 |
| 16 | Gasket | 1912008 |
| 17 | Collar—Inside | 1963139 |
| 18 | Collar—Outside | 1959991 |

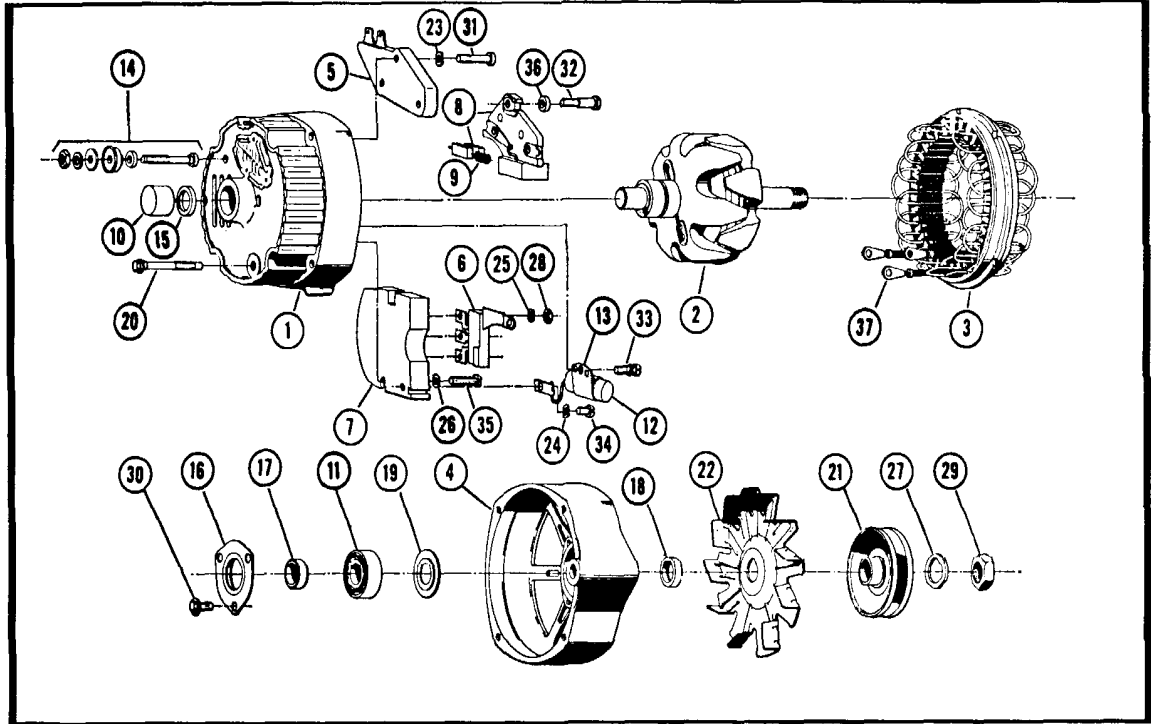
| Key | Description | Part No. |
|-----|--------------------------------------|----------|
| 19 | Slinger—For 1100566 | 800832 |
| | —All Exc. 1100566 | 1947344 |
| 20 | Pulley—See Data Section/Group 2.274/ | — |
| 21 | Fan—See Data Section/Group 2.274/ | — |
| 22 | Bolt, Thru | 1956975 |
| 23 | Capacitator | 1959455 |
| 24 | Clip, Stator | 1959532 |
| 25 | L/Washer, Holder | 1847933 |
| | L/Washer, Term. | 1847933 |
| | L/Washer, Diode | 1847933 |
| 26 | Nut, Shaft D.E. | 1915172 |
| 27 | Retainer, S.R.E. | 1959790 |
| 28 | Screw, Holder | 9420489 |
| 29 | Screw, Brg. | 1965104 |
| 30 | Spring, Capacitator | 1960750 |
| 31 | L/Washer, Shaft | 1941978 |
| | Non-Illustrated Parts | |
| | Insulator, Term. | 1959389 |
| | Washer, Term. (Insul.) | 1959523 |
| | Washer, Term. (Plain) | 1914476 |



1972-74 DELCOTRON COMPONENT PARTS

FOR THE FOLLOWING DELCOTRONS: 1100497, 1100543, 1100554, 1100927, 1100928,
1100934, 1102440, 1102455, 1102459, 1102463

For Delcotron Usage Refer To Delcotron Chart Page 1



| Key | Description | Part No. |
|-----|---|-------------------------------|
| 1. | Frame SRE—Includes Key 10 & 15 —For 1100497-597-927-928-934, 1102445-459 | 1852101 1846523 |
| 2. | Rotor—For 1100497-554-597-927-928-934 —For 1100543 —For 1102445-459 | 1846657 1971990 1958565 |
| 3. | Stator—Includes Key 37 —For 1100543-554-597-928, 1102455 —For 1102459 —For 1100497-927-934 | 1971639 1971686 1971986 |
| 4. | Frame D.E. | 800135 |
| 5. | Regulator | 1116387 |
| 6. | Diode Trio | 1971528 |
| 7. | Bridge Rectifier | 1852209 |
| 8. | Brush and Holder—Includes Key 9 | 801466 |
| 9. | Spring, Brush | 1964117 |
| 10. | Bearing, SRE—For 1100497-597, 1102455-459 —For 1100543-554 —For 1100927-928-934 | 7451931 7451763 9432068 |
| 11. | Bearing, D.E. | 907998 |
| 12. | Capacitor | 801824 |
| 13. | Bracket, Capacitor | 1869573 |
| 14. | Terminal, Battery | 1846900 |
| 15. | Seal, Bearing—For 1100543-554-927-928-934 | 1961323 |
| 16. | Plate, Bearing Retainer | 1971993 |
| 17. | Collar, Inside | 1963139 |
| 18. | Collar, Outside—For 1100497-543-554-597-927-928-934, 1102455 —For 1102459 | 1959991 1970474 |

| Key | Description | Part No. |
|-----|--|--------------------|
| 19. | Slinger, Grease | 800832 |
| 20. | Bolt, Thru | 1956975 |
| 21. | Pulley—See Data Section—Group 2.274 | — |
| 22. | Fan, See Data Section | — |
| 23. | Lockwasher, Brush Holder Attaching Screw | 1847933 |
| 24. | Lockwasher, Capacitor Lead Attaching Screw | — |
| 25. | Lockwasher, Rectifier Bridge Nut | 1847933 |
| 26. | Lockwasher, Rectifier Bridge Screw | 1847933 |
| 27. | Lockwasher, Shaft Nut D.E. | 1941978 |
| 28. | Nut, Rectifier Bridge—For 1102455-459 —For 1100543-554 | 1847933 453434 |
| 29. | Nut, Shaft—D.E. | 1915172 |
| 30. | Screw, Bearing Retainer | 1965104 |
| 31. | Screw, Brush Holder—Ground | 1971519 |
| 32. | Screw, Brush Holder—Insulator | 1846864 |
| 33. | Screw & Lockwasher, Capacitor | 9422873 |
| 34. | Screw, Capacitor Lead | 9422873 |
| 35. | Screw, Rectifier Bridge | 1970145 |
| 36. | Washer, Brush Holder Insulator Screw —For 1100497-597-934 | 9419392 |
| 37. | Clip, Stator Lead Terminal & Spacer—Field & Indicator Light —For 1102455-459 | 1846548 1852097 |



DISTRIBUTORS

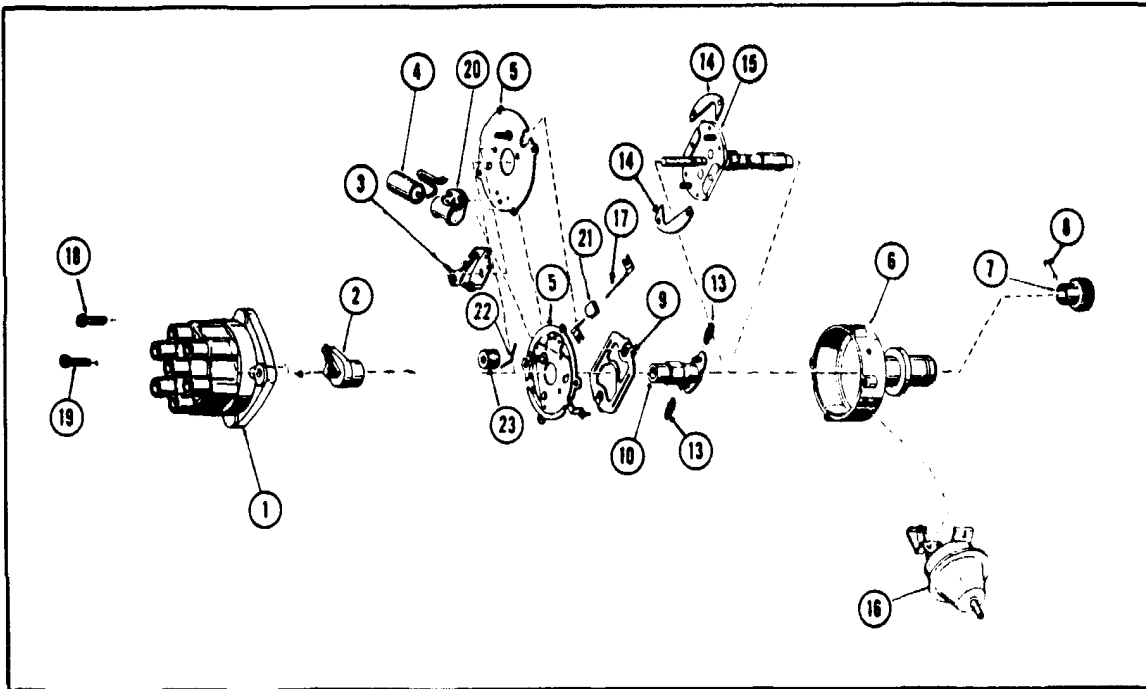
LISTED BELOW ARE DISTRIBUTOR ASSEMBLIES AND USAGES

Refer To The Charts On The Following Pages For Component Parts

| PRODUCTION NO. | SERVICE NO. | APPLICATION | CHART PAGE NO. |
|----------------|-------------|-----------------------------------|----------------|
| 1110489 | 1110489 | 1971-72 250 Eng. | 2 |
| 1112005 | 1112005 | 1971 307 Eng. St. | 3 |
| 1112039 | 1112039 | 1971 307 Eng. At | 3 |
| 1112005 | 1112005 | 1972 307 Eng. St. (1st Type) | 3 |
| 1112134 | 1112005 | 1972 307 Eng. St. (2nd Type) | 4 |
| 1112039 | 1112147 | 1972 307 Eng. At (1st Type) | 4 |
| 1112147 | 1112147 | 1972 307 Eng. At (2nd Type) | 4 |
| 1112140 | 1112140 | 1972 350 Eng. St. | 4 |
| 1112118 | 1112118 | 1972 350 Eng. At (1st Type) | 4 |
| 1112138 | 1112138 | 1972 350 Eng. At (2nd Type) | 4 |
| 1110499 | 1110499 | 1973-74 250 Eng. | 2 |
| 1112227 | 1112227 | 1973 307 Eng. St. | 4 |
| 1112102 | 1112102 | 1973 307 Eng. At | 4 |
| 1112234 | 1112234 | 1973-74 350 2BC Eng. AT | 5 |
| 1112236 | 1112236 | 1973-74 350 (2BC) Eng. ST | 5 |
| 1112822 | 1112822 | 1973-74 350 (4BC) Eng. AT | 5 |
| 1112856 | 1112856 | 1973-74 350 (4BC) Eng. ST | 5 |



1971-73 6 CYL. DISTRIBUTOR COMPONENT PARTS
(FOR DISTRIBUTOR APPLICATION SEE GROUP 2.361)



MAJOR PARTS

| Distributor Stamping | Cap | Rotor | Contact Assy. | Condenser | Plate, Breaker | Housing | Collar Coupling or Gear | Pin | Plate, Hold Down |
|----------------------|---------|--------|---------------|-----------|----------------|---------|-------------------------|--------|------------------|
| ASSEMBLY | 1 | 2 | 3 | 4 | 5 | 6 | 7 | 8 | 9 |
| 1110489 | 1971324 | 800056 | 1954557 | 1928111 | 1961428 | 1846069 | 1962052 | 456652 | 1954548 |
| 1110499 | 1971324 | 800056 | 1954557 | 1928111 | 1961428 | 1846069 | 1962052 | 454512 | 1954548 |

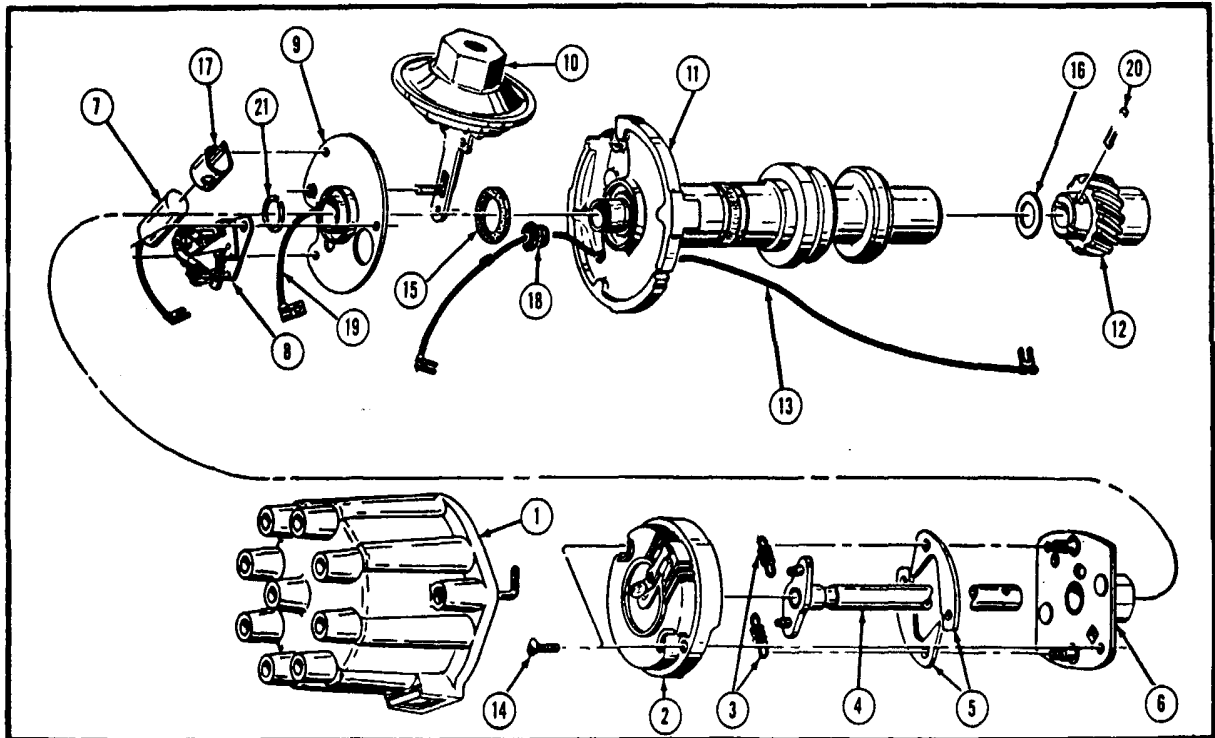
| Distributor Stamping | Cam | Spring, Weight | Weight | Shaft | Vacuum Control | Lead Primary |
|----------------------|---------|----------------|---------|---------|----------------|--------------|
| ASSEMBLY | 10 | 13 | 14 | 15 | 16 | 17 |
| 1110489 | 1966901 | 1912886 | 1881371 | 1876248 | 1973434 | 1954563 |
| 1110499 | 1966901 | 1912886 | 1881371 | 1876248 | 1973428 | 1954563 |

MINOR PARTS

| KEY | DESCRIPTION | 1110489 | 1110499 |
|-----|--------------------------------|---------|---------|
| 18 | SCREW (#8-32) Cap Attach..... | 1954571 | * |
| 19 | SCREW (#10-32) Cap Attach..... | 1957573 | * |
| 20 | BRACKET, Condenser..... | 1944118 | * |
| 21 | GROMMET..... | 1954564 | * |
| 22 | SPRING, Breaker Plate..... | 1956213 | * |
| 23 | WICK, Cam Lub..... | 1852935 | * |



1971-72 8 CYL. DISTRIBUTOR COMPONENT PARTS
(FOR DISTRIBUTOR APPLICATION SEE GROUP 2.361)



MAJOR PARTS

| Distributor Stamping | Cap | Rotor | Spring Weight | Shaft | Weight | Cam | Con- denser | Contact Assy. | Plate Breaker | Control Vacuum | Housing | Gear | Lead Primary |
|----------------------|---------|---------|---------------|---------|---------|---------|-------------|---------------|---------------|----------------|---------|---------|--------------|
| ASSEMBLY | 1 | 2 | 3 | 4 | 5 | 6 | 7 | 8 | 9 | 10 | 11 | 12 | 13 |
| 1112005 | 800061 | 1971247 | 1963965 | 1941361 | 1881371 | 1942360 | 1932004 | 1931988 | 1846122 | | 1966407 | 1958599 | 1846199 |
| 1112039 | " | " | 1946990 | 1851705 | " | 1851057 | " | " | " | 1973436 | " | " | " |
| 1110912 | 1971244 | " | 1963965 | 1941361 | 1924737 | 1947360 | " | " | 1962141 | 1115537 | " | " | 1942518 |

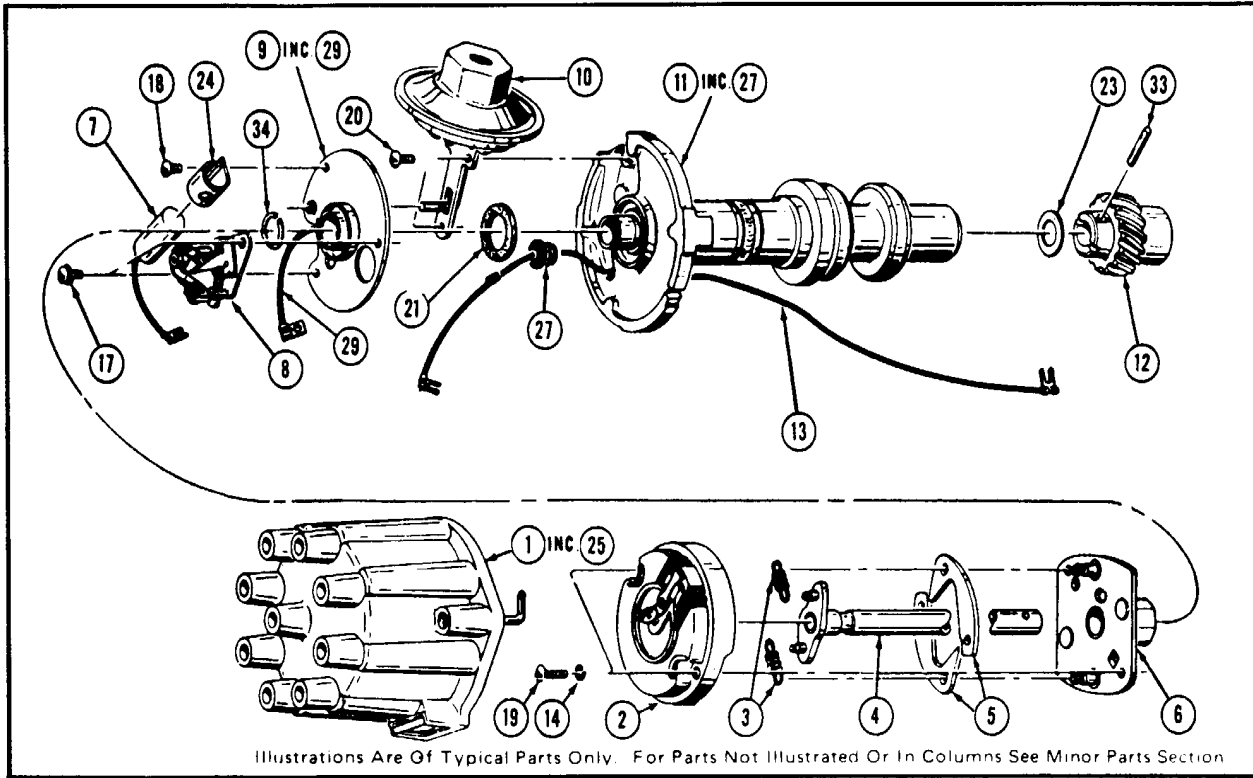
MINOR PARTS

| KEY | DESCRIPTION | 1112039 | 1110912 | 1112005 |
|-----|---|---------|---------|---------|
| 14 | SCREW & LOCKWASHER, Rotor Attach | 274453 | * | * |
| 15 | WASHER, /Felt/ Under Plate | 1951099 | * | * |
| 16 | WASHER, /Tang/ Under Gear | 1837617 | * | * |
| 17 | BRACKET, Condenser | 1869573 | * | * |
| 18 | GROMMET, For Primary Lead | 1932023 | * | * |
| 19 | LEAD, Breaker Plate Ground | 1932002 | * | * |
| 20 | PIN, Gear Attach | 456652 | * | * |
| 21 | SPRING, Breaker Plate Retainer | 1932024 | * | * |
| | SEAL, Housing | 1950569 | * | * |
| | SCREW, Shield Attach | 1846215 | — | * |
| | SHIELD PKG., Radio Frequency Interference | 1846216 | — | * |
| | SLEEVE, Spring Post | 1945548 | 1945548 | * |
| | WASHER, /Tang/ Between Gear & Base | 1965864 | * | * |
| | WICK, Cam Lub | 1961088 | * | 1949084 |
| | RETAINER, Wick | 1963858 | * | |

* Part Number Same As Number In First Column.

1972-73 8 CYL. DISTRIBUTOR COMPONENT PARTS

(FOR DISTRIBUTOR APPLICATION SEE GROUP 2.361)



MAJOR PARTS

| Distributor Assembly | Cap | Rotor | Spring Weight | Shaft | Weight | Cam | Con- denser | Contact Assem. | Plate Breaker | Control Vacuum | Housing | Gear | Lead Primary |
|----------------------|---------|---------|---------------|---------|---------|---------|-------------|----------------|---------------|----------------|---------|---------|--------------|
| | 1 | 2 | 3 | 4 | 5 | 6 | 7 | 8 | 9 | 10 | 11 | 12 | 13 |
| 1112118 | 800061 | 1971247 | 1851772 | 1851810 | 1881371 | 801314 | 1932004 | 1931988* | 1846122 | 1115364 | 1967562 | 801200 | 1852969 |
| 1112134 | 1971244 | " | 1851343 | 1851341 | " | 1941849 | — | 1975000 | 1875798 | " | " | " | 1942518 |
| 1112138 | 800061 | 1971247 | 1851823 | 1941361 | " | 1940558 | — | " | " | 1973436 | 1966407 | 1958599 | 1846199 |
| 1112140 | " | " | 1851341 | 1851341 | " | 1941849 | " | 1931988* | 1846122 | 1115364 | 1967562 | 801200 | 1852969 |
| 1112147 | " | " | 1852917 | 1851705 | " | 1851057 | — | 1975000 | 1875798 | 1973436 | 1966407 | 1958599 | 1846199 |
| 1112102 | " | 1852722 | 1912886 | 1851705 | " | 1851057 | " | 1931988* | 1846122 | 1973448 | 1967025 | 1958599 | 1875613 |
| 1112227 | " | " | 1851823 | 1941361 | " | 1966686 | " | " | " | 1973448 | 1966407 | 1958599 | 1875613 |

*1ST TYPE.

2ND TYPE—1876600 INCLS. POINTS AND CONDENSER.

MINOR PARTS

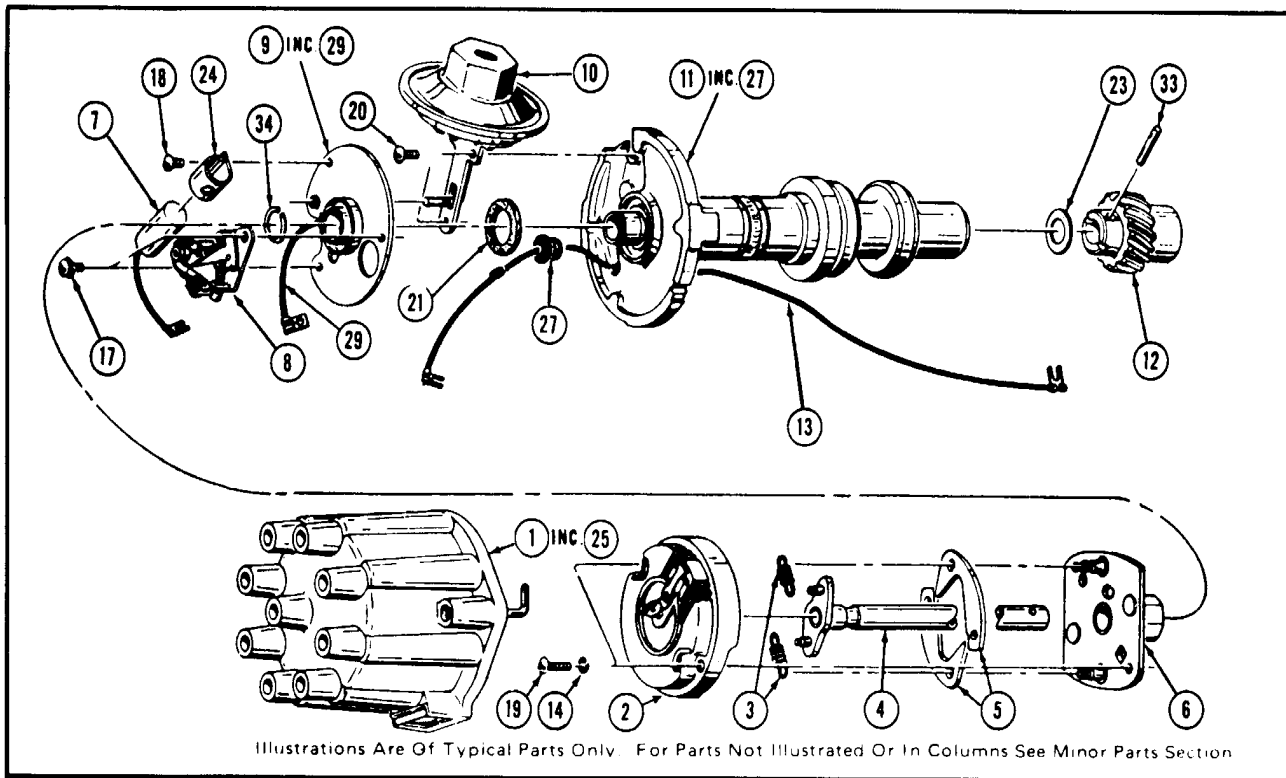
| KEY | DESCRIPTION | 1112118 | 1112134 | 1112138 | 1112140 | 1112147 | 1112102 | 1112227 |
|-----|---|---------|---------|---------|---------|---------|---------|---------|
| — | SCREW & LOCKWASHER, R.F.I. Shield | 1846215 | * | — | * | — | * | * |
| 19 | SCREW & LOCKWASHER, Rotor Attaching | 274453 | * | * | * | * | — | * |
| 21 | WASHER — Under Plate — Felt | 1951099 | * | * | * | * | * | * |
| 23 | WASHER — Under Gear — Tang | 1837617 | * | * | — | — | 1965864 | 1965864 |
| 24 | BRACKET, Condenser | 1869573 | * | — | * | — | * | * |
| 27 | GROMMET — For Primary Lead | 1932023 | * | * | * | * | — | * |
| 29 | LEAD, Breaker Plate Ground | 1932002 | * | * | * | * | * | * |
| 33 | PIN, Gear Attaching | 456652 | * | * | * | * | * | * |
| | RETAINER, Felt Wick | 1963858 | * | 1946818 | * | * | * | * |
| | SHIELD PKG., Radio Frequency Interference | 1846216 | * | — | * | — | * | * |
| | SEAL, Lubrication | 1950569 | * | * | * | * | * | * |
| | SLEEVE, Spring Post | 1945548 | 1961234 | — | * | 1961234 | 1961234 | 1961234 |
| 34 | SPRING, Breaker Plate Retainer | 1932024 | * | * | * | * | * | * |

*PART NUMBER IS SAME AS NUMBER IN FIRST COLUMN



1974 8 CYL. DISTRIBUTOR COMPONENT PARTS

(FOR DISTRIBUTOR APPLICATION SEE GROUP 2.361)



MAJOR PARTS

| Distributor Assembly | Cap | Rotor | Spring Weight | Shaft | Weight | Cam | Con-denser | Contact Assem. | Plate Breaker | Control Vacuum | Housing | Gear | Lead Primary |
|----------------------|---------|---------|---------------|---------|--------|-----|------------|----------------|---------------|----------------|---------|---------|--------------|
| | 1 | 2 | 3 | 4 | 5 | 6 | 7 | 8 | 9 | 10 | 11 | 12 | 13 |
| 1112234 | 800061 | 1852722 | — | 1875838 | — | — | — | 1876600 | 1876641 | 1115364 | 1967562 | 801200 | 1875613 |
| 1112236 | " | " | — | 1870858 | — | — | — | " | " | " | " | " | " |
| 1112822 | " | " | — | 1875914 | — | — | — | " | " | " | " | " | " |
| 1112856 | 1971244 | " | — | 1877363 | — | — | — | " | " | " | " | 1958599 | " |

MINOR PARTS

| KEY | DESCRIPTION | 1112234 | 1112236 | 1112822 | 1112856 |
|-----|---|---------|---------|---------|---------|
| — | SCREW & LOCKWASHER, R.F.I. Shield | — | — | — | — |
| 19 | SCREW & LOCKWASHER, Rotor Attaching | 274453 | * | * | 1852783 |
| 21 | WASHER — Under Plate — Felt | 1951099 | * | * | * |
| 23 | WASHER — Under Gear — Tang | 1837617 | * | * | * |
| 24 | BRACKET, Condenser | — | — | — | 1869573 |
| 27 | GROMMET — For Primary Lead | 1932023 | * | * | * |
| 29 | LEAD, Breaker Plate Ground | 1932002 | * | * | * |
| 33 | PIN, Gear Attaching | 455862 | * | 456652 | 456652 |
| | RETAINER, Felt Wick | 1963858 | * | * | * |
| | SHIELD PKG., Radio Frequency Interference | — | — | — | — |
| | SEAL, Lubrication | 1950569 | * | * | * |
| | SLEEVE, Spring Post | — | — | — | — |
| 34 | SPRING, Breaker Plate Retainer | 1932024 | * | * | * |

*PART NUMBER IS SAME AS NUMBER IN FIRST COLUMN

KEY USAGE CHART

| Year | Part Number | Coded Uncoded | Oval Head Square Head | Stamped | | | | | |
|------|-------------|------------------|--------------------------|---------|----------|-------------|-----------|--------------|-----------|
| | | | | | Ignition | Front Doors | Glove Box | Console Door | Trunk Lid |
| 1971 | 726325 | Coded | Square | A | x | x | | | |
| 1971 | 7027275 | Uncoded | Square | A | x | x | | | |
| 1971 | 726326 | Coded | Oval | B | | | x | x | x |
| 1971 | 7027281 | Uncoded | Oval | B | | | x | x | x |
| 1972 | 726681 | Coded | Square | C | x | x | | | |
| 1972 | 7024229 | Uncoded | Square | C | x | x | | | |
| 1972 | 726680 | Coded | Oval | D | | | x | x | x |
| 1972 | 7024235 | Uncoded | Oval | D | | | x | x | x |
| 1973 | 725785 | Coded | Square | E | x | x | | | |
| 1973 | 7025014 | Uncoded | Square | E | x | x | | | |
| 1973 | 725777 | Coded | Oval | H | | | x | x | x |
| 1973 | 7025019 | Uncoded | Oval | H | | | x | x | x |
| 1974 | 726057 | Coded | Square | J | x | | | | |
| 1974 | 7025282 | Uncoded | Square | J | x | | | | |
| 1974 | 726058 | Coded | Oval | K | | x | x | x | x |
| 1974 | 7025288 | Uncoded | Oval | K | | x | x | x | x |
| | | | | | | | | | |
| | | | | | | | | | |
| | | | | | | | | | |
| | | | | | | | | | |
| | | | | | | | | | |
| | | | | | | | | | |
| | | | | | | | | | |
| | | | | | | | | | |
| | | | | | | | | | |