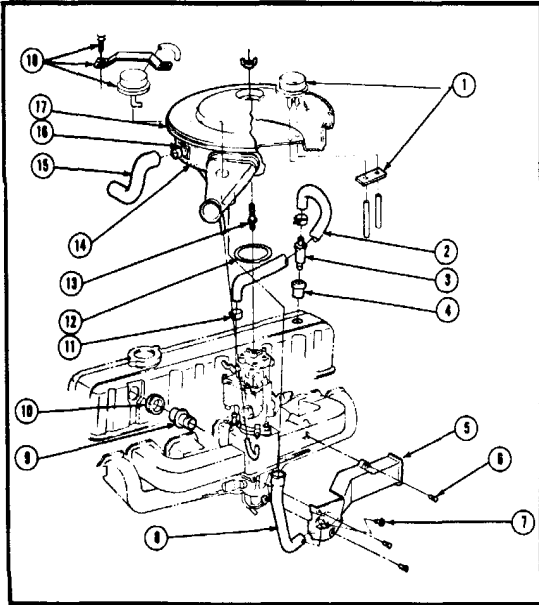


1971-74 FUEL & EVAPORATIVE EMISSION SYSTEM

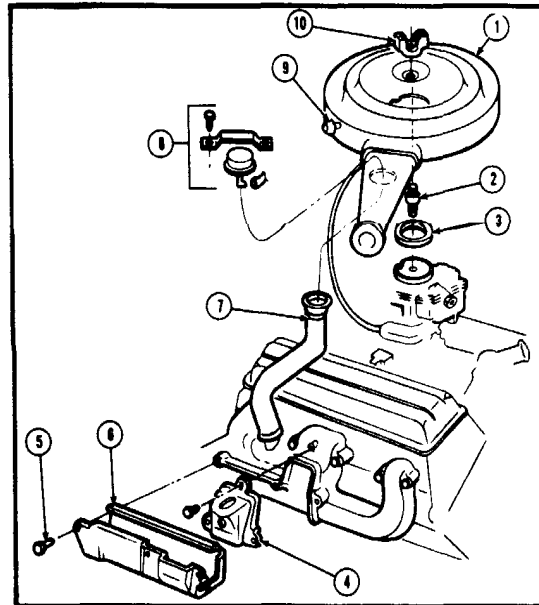
| Key | Part Name | Group No. |
|-----|--|-----------|
| 1 | PUMP ASM., Fuel | 3.900 |
| 2 | CANISTER, Vapor | 3.130 |
| 3 | SUPPORT ASM., Vapor Canister | 3.130 |
| 4 | GASKET, Vapor Canister Cap | N.S. |
| 5 | CAP, Vapor Canister (Production) | N.S. |
| 6 | CLAMP, Hose | 8.948 |
| 7 | HOSE (1/2" I.D.-Cut as required) | 8.962 |
| 8 | CAP & FILTER, Vapor Canister (Service) | 3.130 |
| 9 | SEPARATOR ASM., Fuel Vent | 3.120 |
| 10 | GASKET, Fuel Tank Fuel Gauge | 3.112 |
| 11 | GAUGE ASM., Fuel Tank Fuel | 3.107 |
| 12 | CAM, Fuel Gauge to Tank | 3.107 |
| 13 | WIRE ASM., Fuel Gauge | 2.480 |
| 14 | CAP, Fuel Tank Filler | 3.028 |
| 15 | DOOR ASM., Fuel Tank Filler | 12.945 |
| 16 | BUMPER, Fuel Tank Filler Door | 12.945 |
| 17 | PIPE, Fuel Tank Filler | 3.003 |
| 18 | BOLT, Fuel Tank Strap (3/8"-16 x 3 3/8") | 8.900 |
| 19 | WASHER, Fuel Tank Strap (9/16" I.D. x 1 1/8" O.D.) | 3.023 |
| 20 | NUT, Fuel Tank Strap Bolt (3/8"-16) | 3.023 |
| 21 | SPACER, Fuel Tank Strap | 3.023 |
| 22 | STRAP, Fuel Tank | 3.022 |
| 23 | TANK ASM., Fuel | 3.001 |
| 24 | TUBING (5/16" I.D.-Cut & form as required) | 8.964 |
| 25 | TEE, Vent Hose | 1.745 |
| 26 | CLAMP, Crankcase Vent Hose | 8.948 |
| 27 | VALVE ASM., Positive Crankcase Vent | 1.745 |
| 28 | GROMMET, Crankcase Vent Valve | 1.745 |
| 29 | HOSE, Vapor Purge-L/6 (1/4" I.D.-Cut as required) | 8.962 |
| | HOSE, Vapor Purge-L/6 (5/32" I.D.-Cut as required) | 8.962 |
| 30 | CLIP, Fuel Vapor Purge Hose to Mfld. | N.S. |
| 31 | HOSE, Vapor Purge-V/8 (1/4" I.D.-Cut as required) | 8.962 |
| | HOSE, Vapor Purge-V/8 (5/32" I.D.-Cut as required) | 8.962 |
| | HOSE, Vapor Purge-V/8 (3/8" I.D.-Cut as required) | 8.962 |
| 32 | CLIP, Fuel Vapor Purge Hose to Skirt | 3.162 |
| 33 | HOSE (5/16" I.D.-Cut as required) | 8.962 |
| 34 | CLIP, Fuel Feed Rear Pipe | 3.162 |
| 35 | HOSE (3/8" I.D.-Cut as required) | 8.962 |
| 36 | CLAMP, Hose | 8.948 |

6-CYL. ENGINE



| Key | Part Name | Group No. |
|-----|-----------|-----------|
|-----|-----------|-----------|

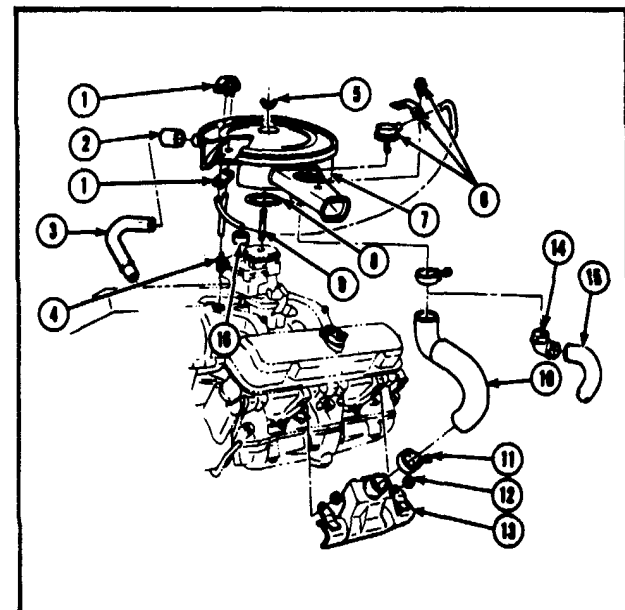
- | | | |
|----|--|-------|
| 1 | SENSOR PKG., Air Cleaner Thermal Vacuum . . . | 3.410 |
| 2 | HOSE, C/case Vent & Rocker Arm Cover | 1.762 |
| 3 | VALVE ASM., Motor Vacuum Check | 3.278 |
| 4 | GROMMET, Crankcase Vent | 1.745 |
| 5 | SHROUD ASM., Carb. Air Pre-Heater | 3.417 |
| 6 | STUD, Stove to Manifold | N.S. |
| 7 | SCREW, Stove to Manifold | N.S. |
| 8 | TUBE, Pre-Heater Shroud to Air Cleaner | 3.417 |
| 9 | CONNECTOR, Vent Hose to Cover | 1.745 |
| 10 | GROMMET, Vent Hose Connector | 1.745 |
| 11 | CLAMP, Crankcase Vent Hose | 1.750 |
| 12 | GASKET, Carb. Air Cleaner | 3.403 |
| 13 | STUD, Air Cleaner Assn. to Carb. (1/4"-20 x 1 13/16") | 3.403 |
| 14 | ELEMENT ASM., Air Filter | 3.410 |
| 15 | HOSE, Air Cleaner to Rocker Arm Cover | 1.762 |
| 16 | RETAINER, Filter Element | 3.410 |
| 17 | AIR CLEANER ASM., Carb. Air | 3.402 |
| 18 | DIAPHRAGM PKG., Air Cleaner (On Snorkle) . . | 3.410 |



307 ENGINE

| Key | Part Name | Group No. |
|-----|-----------|-----------|
|-----|-----------|-----------|

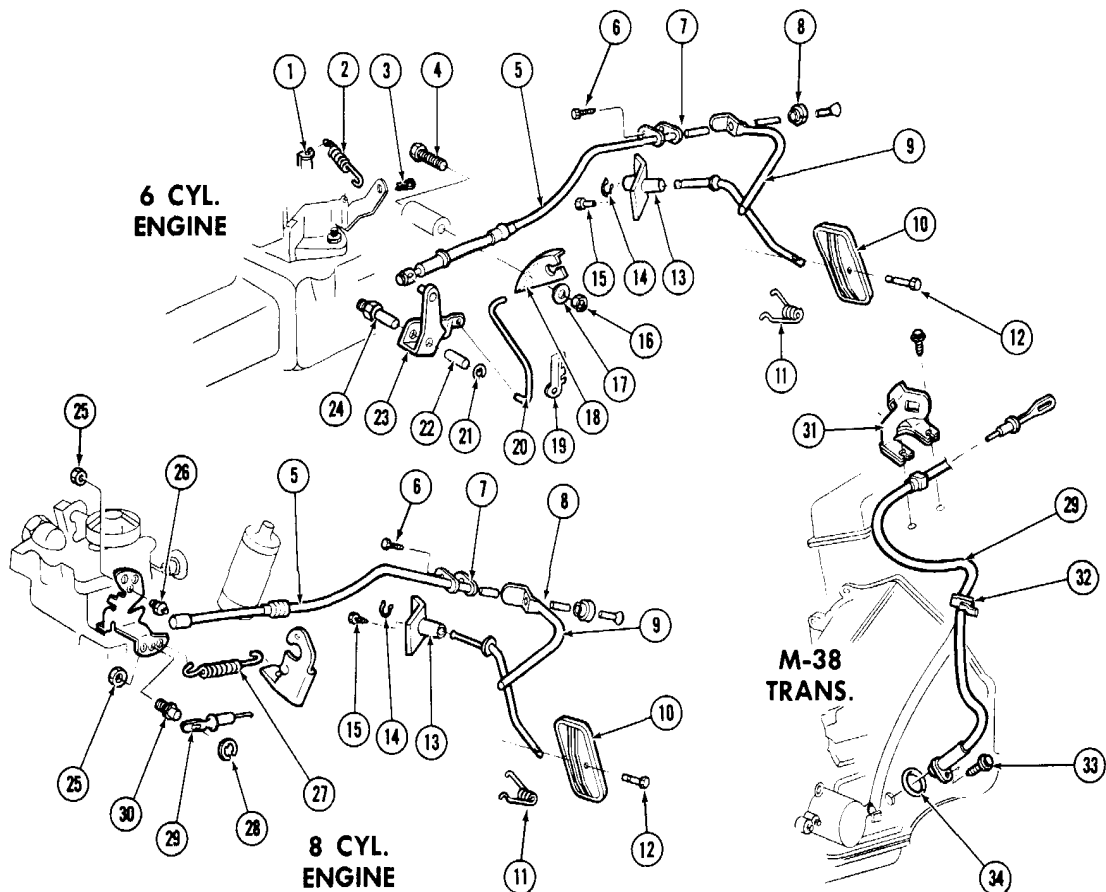
- | | | |
|----|--|-------|
| 1 | AIR CLEANER ASM., Carb. | 3.402 |
| 2 | STUD, Air Cleaner to Carb. | 3.403 |
| 3 | GASKET, Carb. Air Cleaner | 3.403 |
| 4 | STOVE, Carb. Air Preheater - Upper | 3.417 |
| 5 | STUD, Stove to Manifold | N.S. |
| 6 | STOVE, Carb. Air Preheater - Lower | 3.417 |
| 7 | TUBE, Carb. Air Preheater to Air Cleaner | 3.417 |
| 8 | DIAPHRAGM PKG., Air Cleaner (On Snorkel) . . | 3.415 |
| 9 | ELEMENT, Crankcase Vent Air Filter | 3.410 |
| 10 | NUT, Air Cleaner to Carb. (1/4"-20 Wing) . . . | 8.920 |



350 ENGINE

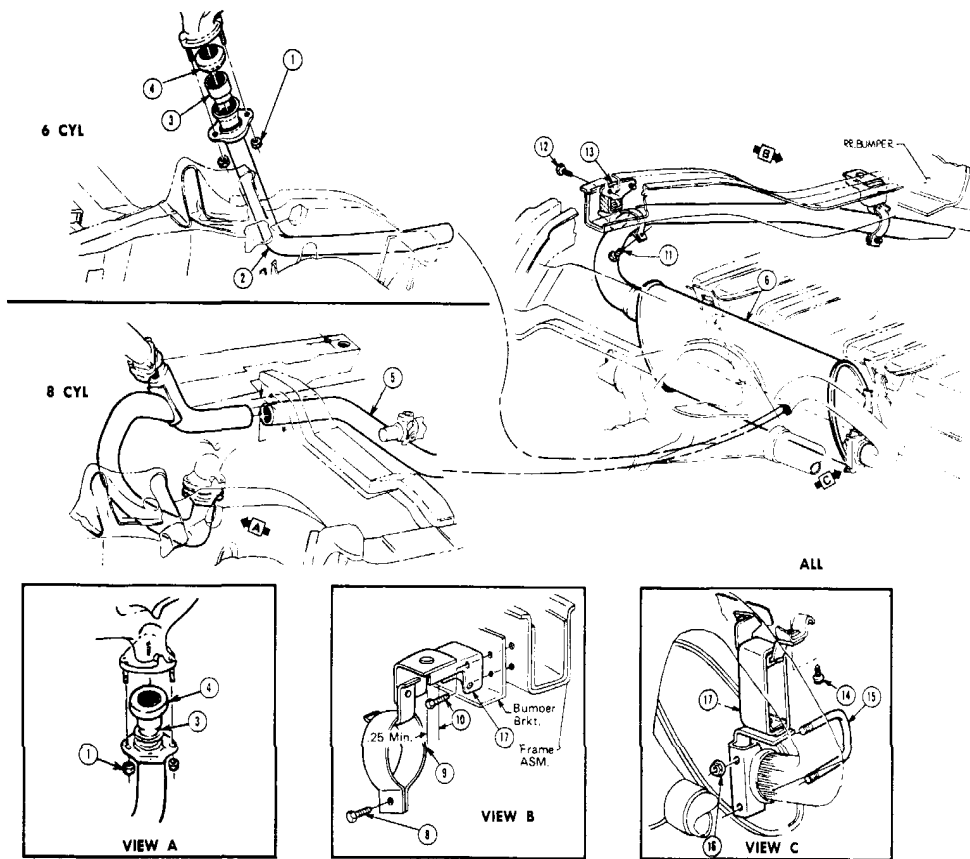
| Key | Description | Group |
|-----|-------------|-------|
|-----|-------------|-------|

- | | | |
|----|---|-------|
| 1 | SENSOR PKG., Air Cleaner Thermal Vacuum | 3.415 |
| 2 | HOSE, Crankcase Vent Pipe to Air Cleaner | 1.762 |
| 3 | PIPE, Crankcase Vent | 1.762 |
| 4 | FITTING, Air Cleaner Vac. Hose to Manifold | 3.278 |
| 5 | NUT, Air Cleaner to Carb. (1/4"-20 Wing) | 8.920 |
| 6 | DIAPHRAGM PKG., Air Cleaner (On Snorkle) | 3.415 |
| 7 | CLEANER & SILENCER, Carburetor Air | 3.402 |
| 8 | GASKET, Air Cleaner to Carburetor | 3.403 |
| 9 | STUD, Air Cleaner Assn. to Carburetor | 3.403 |
| 10 | DUCT, Carb. Air Pre-Heater to Air Cleaner | 3.417 |
| 11 | CLAMP, Air Pre-Heater Duct | 3.417 |
| 12 | NUT, Air Pre-Heater Shroud to Cyl. Head (3/8"-16 Hex. Hd.) | 8.915 |
| 13 | SHROUD ASM., Carburetor Air Pre-Heater | 3.417 |
| 14 | ELBOW, Air Preheater | 3.417 |
| 15 | DUCT, Air Preheater to Cleaner | 3.417 |
| 16 | GASKET, Air Cleaner to Vent Switch Valve (4 Bbl.) | 3.403 |



ACCELERATOR LINKAGE

| Key | Part Name | Group No. | Key | Part Name | Group No. |
|-----|---|-----------|-----|---|-----------|
| 1 | BRACKET, Carb. Lever Pull Back Spring | 3.459 | 18 | SUPPORT, Acc. Control Cable to Manifold | 3.454 |
| 2 | SPRING, Throttle Control Return | 3.459 | 19 | CLIP, Carb. to Accel. Cont. Lever on Manifold - Rod | 3.425 |
| 3 | CLIP, Carb. Throttle Lever to Rod | 3.425 | 20 | ROD, Carb. to Accel. Cont. Lever | 3.430 |
| 4 | BOLT, Accelerator Control Cable Brkt. to Intake Manifold (3/8"-16 x 2 1/2") | 8.900 | 21 | RETAINER, Accel. Lever to Manif. Stud (3/8") | 8.934 |
| 5 | CABLE ASM., Accelerator Control | 3.430 | 22 | SLEEVE, Accel. Cont. Lever Spacer | 3.425 |
| 6 | SCREW, Accelerator Control Cable to Dash (1/4"-14 x 5/8") | 8.977 | 23 | LEVER ASM., Accelerator Control | 3.454 |
| 7 | GASKET, Accelerator Control Cable to Dash | 8.845 | 24 | STUD, Intermediate Cont. Lever to Manif. | 3.458 |
| 8 | RETAINER, Accelerator Control Cable | 3.431 | 25 | NUT, Carb. Lever Stud (1/4"-20) | 8.917 |
| 9 | ROD, Accelerator Pedal | 3.431 | 26 | STUD, Accel. Cable to Carb. Lever Ball | 3.452 |
| 10 | PEDAL, Accelerator | 3.451 | 27 | SPRING, Accel. Linkage Pull Back | 3.459 |
| 11 | SPRING, Accelerator Pedal Tension | 3.459 | 28 | RETAINER, Downshift Cable to Carb. Lever Stud | 8.934 |
| 12 | PIN, Pedal Rod Clevis | 3.452 | 29 | CABLE ASM., Downshift Control | 4.057 |
| 13 | SUPPORT, Accelerator Pedal Rod | 3.452 | 30 | PIN, Downshift Cable to Carb. Lever | 4.047 |
| 14 | RETAINER, Acc. Pedal Rod to Supt. - "C" type (3/8") | 8.934 | 31 | BRACKET, Downshift Cable to Engine Support | 4.050 |
| 15 | BOLT, Acc. Pedal Rod Supt. to Dash (1/4"-25 x 9/16") | 8.900 | 32 | CLAMP, Downshift Cable to Filler Pipe | 4.050 |
| 16 | NUT, Bracket to Manifold (3/8"-16) | 8.915 | 33 | SCREW, Downshift Cable to Trans. Case | N.S. |
| 17 | LOCKWASHER, Cable Brkt. to Manifold (3/8") | 8.931 | 34 | "O"-RING, Downshift Cable to Trans. Case | 4.047 |

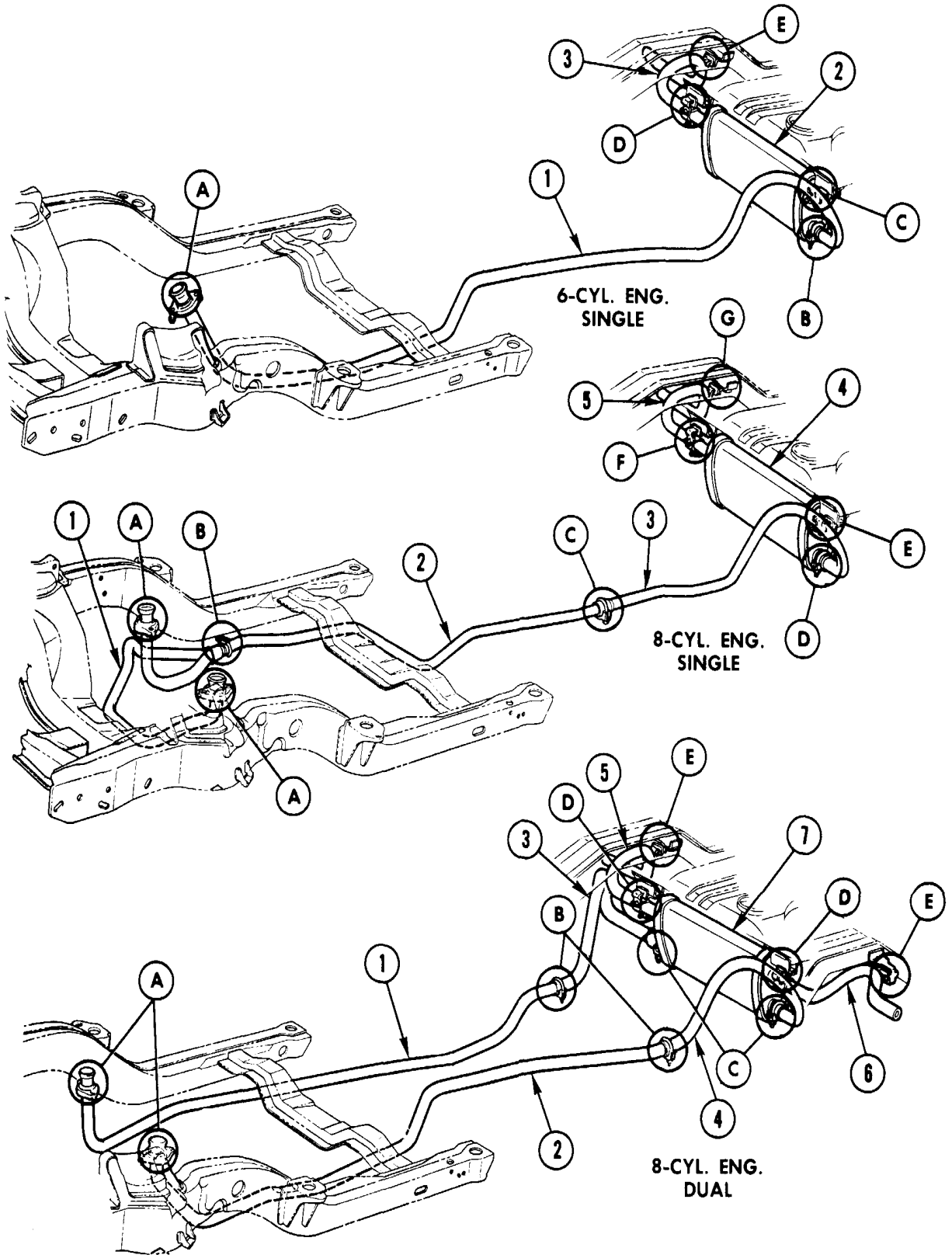


SINGLE EXHAUST

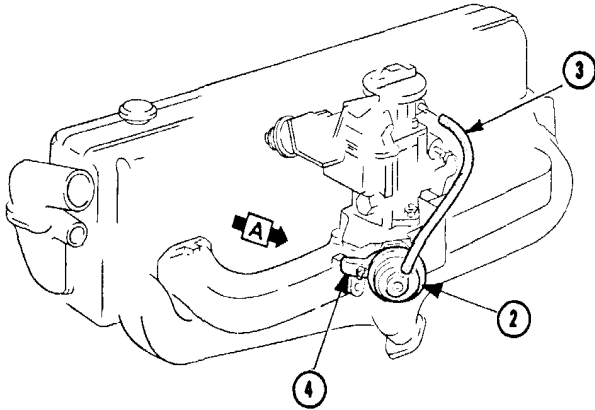
| Key | Description | Part No. | Qty. | Group |
|-----|--|----------|------|-------|
| 1 | Nut | 3829086 | AR | 8.917 |
| 2 | Pipe, Exhaust | 3975693 | 1 | 3.609 |
| 3 | Extension, Exhaust Pipe | — | AR | 3.609 |
| 4 | Packing, Exhaust Pipe | — | AR | 3.611 |
| 5 | Pipe, Exhaust | 3992498 | 1 | 3.609 |
| 6 | Muffler, 6 Cyl. | 3984559 | 1 | 3.701 |
| | 8 Cyl. | 3975557 | 1 | 3.701 |
| 7 | Hanger Assembly, Muffler Tail Pipe | 3996375 | 1 | 3.706 |
| 8 | Screw | 9429462 | AR | 8.977 |
| 9 | Clamp | 3754883 | AR | 3.708 |
| 10 | Screw | 9419402 | AR | 8.977 |
| 11 | Screw | 9429462 | AR | 8.977 |
| 12 | Screw | — | AR | 8.977 |
| 13 | Hanger Assembly | 3996375 | 1 | 3.706 |
| 14 | Screw | 9419402 | AR | 8.977 |
| 15 | "U" Bolt | — | 1 | 3.708 |
| 16 | Nut | — | AR | 8.917 |
| 17 | Hanger Assembly | — | 1 | 3.616 |



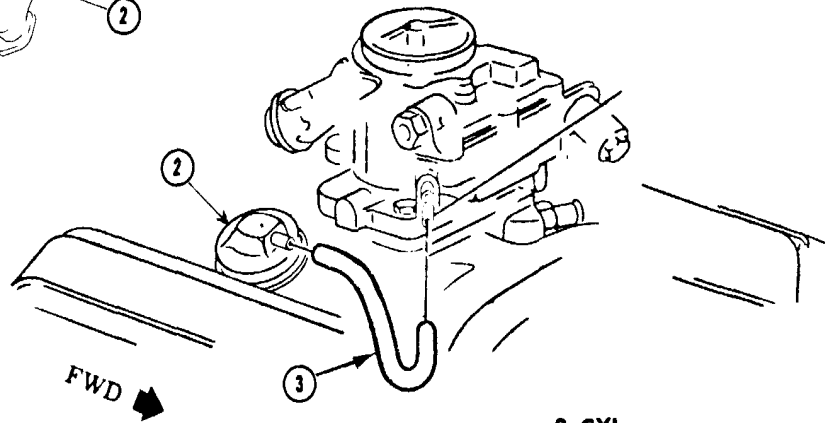
| Key | Group No. | Qty. | Part No. | Description | Key | Group No. | Qty. | Part No. | Description |
|-----------------------------|-----------|------|----------|------------------------------------|-----------------------------|-----------|---------|------------------------------------|------------------------------------|
| SIX CYLINDER EXHAUST | | | | | ATTACHING PARTS | | | | |
| 1 | 3.609 | 1 | 332640 | PIPE, Exhaust | 3.704 | 1 | 330232 | BRACKET, Muffler Hanger | |
| 2 | 3.701 | 1 | 332624 | MUFFLER | 3.704 | 1 | 3996318 | INSULATOR, Muffler Hanger | |
| 3 | 3.609 | 1 | 332628 | PIPE, Tail | 8.977 | 2 | 9419402 | SCREW (5/16"-18 x 3/4" Hex Hd.) | |
| ATTACHING PARTS | | | | | F | 3.708 | 1 | 3992572 | CLAMP, Muffler Hanger (Lower Half) |
| A | 3.609 | 1 | 3748781 | EXTENSION, Pipe to Manifold | 3.708 | 1 | 3983049 | CLAMP, Muffler Hanger (Upper Half) | |
| | 3.611 | 1 | 3731062 | RING, Pipe to Mfld. Sealing | 8.977 | 1 | 9417239 | SCREW (5/16"-18 x 1 3/4" Hex Hd.) | |
| | 8.917 | 2 | 9413322 | NUT (3/8" - 16) | 3.704 | 1 | 330232 | BRACKET, Muffler Hanger | |
| B | 3.708 | 1 | 3857547 | CLAMP PKG. (2 1/4") | 3.704 | 1 | 3996318 | INSULATOR, Muffler Hanger | |
| C | 3.704 | 1 | 3983052 | SUPPORT, Muffler to Hanger | 8.977 | 2 | 9419402 | SCREW (5/16"-18 x 3/4" Hex Hd.) | |
| | 8.977 | 1 | 9419402 | SCREW (5/16"-18 x 3/4 Hex Hd.) | G | 3.706 | 1 | 3983053 | HANGER, Tail Pipe |
| | 3.704 | 1 | 330232 | BRACKET, Muffler Hanger | 8.977 | 2 | 9419402 | SCREW (5/16"-18 x 3/4" Hex Hd.) | |
| | 3.704 | 1 | 3996318 | INSULATOR, Muffler Hanger | 350-DUAL EXHAUST | | | | |
| | 8.977 | 2 | 9419402 | SCREW (5/16"-18 x 3/4" Hex Hd.) | 1 | 3.609 | 1 | 487888 | PIPE, Exhaust (Front R.H.) |
| D | 3.708 | 1 | 3992572 | CLAMP, Muffler Hanger (Lower Half) | 2 | 3.609 | 1 | 487889 | PIPE, Exhaust (Front L.H.) |
| | 3.708 | 1 | 3983049 | CLAMP, Muffler Hanger (Upper Half) | 3 | 3.609 | 1 | 492664 | PIPE, Exhaust (Rear R.H.) |
| | 8.977 | 1 | 9417239 | SCREW (5/16"-18 x 1 3/4" Hex Hd.) | 4 | 3.609 | 1 | 492665 | PIPE, Exhaust (Rear L.H.) |
| | 3.704 | 1 | 330232 | BRACKET, Muffler Hanger | 5 | 3.609 | 1 | 332628 | PIPE, Tail (R.H.) |
| | 3.704 | 1 | 3996318 | INSULATOR, Muffler Hanger | 6 | 3.609 | 1 | 332629 | PIPE, Tail (L.H.) |
| | 8.977 | 2 | 9419402 | SCREW (5/16"-18 x 3/4" Hex Hd.) | 7 | 3.701 | 1 | 6264040 | MUFFLER |
| E | 3.706 | 1 | 3983053 | HANGER, Tail Pipe | ATTACHING PARTS | | | | |
| | 8.977 | 2 | 9419402 | SCREW (5/16"-18 x 3/4" Hex Hd.) | A | 3.610 | 2 | 9789096 | FLANGE, Exhaust Pipe |
| 350 - SINGLE EXHAUST | | | | | | 3.613 | 4 | 483543 | STUD, Pipe to Mfld. |
| 1 | 3.609 | 1 | 491625 | PIPE, Crossover | 8.917 | 4 | 9422297 | NUT (3/8"-16) | |
| 2 | 3.609 | 1 | 491626 | PIPE, Exhaust (Front) | B | 3.708 | 2 | 3754883 | CLAMP PKG. (2") |
| 3 | 3.609 | 1 | 487817 | PIPE, Exhaust (Rear) | C | 3.708 | 2 | 3633128 | CLAMP PKG. (2 1/2") |
| 4 | 3.701 | 1 | 332626 | MUFFLER | D | 3.708 | 2 | 3992572 | CLAMP, Muffler Hanger (Lower Half) |
| 5 | 3.609 | 1 | 332628 | PIPE, Tail | | 3.708 | 2 | 3983049 | CLAMP, Muffler Hanger (Upper Half) |
| ATTACHING PARTS | | | | | 8.977 | 2 | 9417239 | SCREW (5/16"-18 x 1 3/4" Hex Hd.) | |
| A | 3.613 | 4 | 483543 | STUD, Pipe to Mfld. | 3.704 | 2 | 330232 | BRACKET, Muffler Hanger | |
| | 8.916 | 4 | 9422297 | NUT (3/8"-16) | 3.704 | 2 | 3996318 | INSULATOR, Muffler Hanger | |
| B | 3.708 | 1 | 3857547 | CLAMP PKG. (2 1/4") | 8.977 | 4 | 9419402 | SCREW (5/16"-18 x 3/4" Hex Hd.) | |
| C | 3.708 | 1 | 3754883 | CLAMP PKG. (2") | E | 3.706 | 2 | 3983053 | HANGER, Tail Pipe |
| D | 3.708 | 1 | 3857547 | CLAMP PKG. (2 1/4") | 8.977 | 4 | 9419402 | SCREW (5/16"-18 x 3/4" Hex Hd.) | |
| E | 3.704 | 1 | 3983052 | SUPPORT, Muffler to Hanger | 1973 EXHAUST SYSTEMS | | | | |
| | 8.977 | 1 | 9419402 | SCREW (5/16"-18 x 3/4" Hex Hd.) | | | | | |



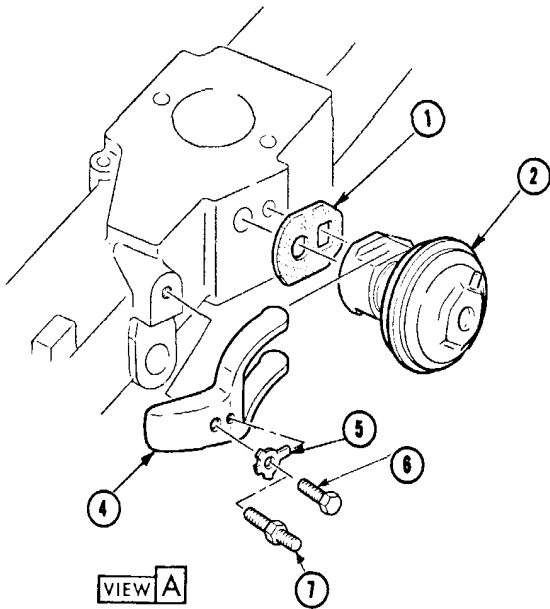
1973 EXHAUST SYSTEMS



6 CYL.



8 CYL.



1973 EXHAUST GAS RECIRCULATING VALVE

| Key | Description | Part No. | Qty. | Group |
|-----|----------------|----------|------|-------|
| 1 | Gasket | 353086 | 1 | 3.680 |
| 2 | Valve | See Data | 1 | 3.670 |
| 3 | Hose | 3987364 | AR | 8.962 |
| 4 | Clamp — 6 Cyl. | 329606 | 1 | 3.680 |
| | — 8 Cyl. | 489826 | 1 | 3.680 |

| Key | Description | Part No. | Qty. | Group |
|-----|-----------------------------------|----------|------|-------|
| 5 | Lock | 3855524 | 1 | 3.680 |
| 6 | Bolt (3/8-16) | 186678 | 1 | 8.900 |
| 7 | Stud — 6 Cyl. with Power Steering | 331200 | 1 | 3.680 |