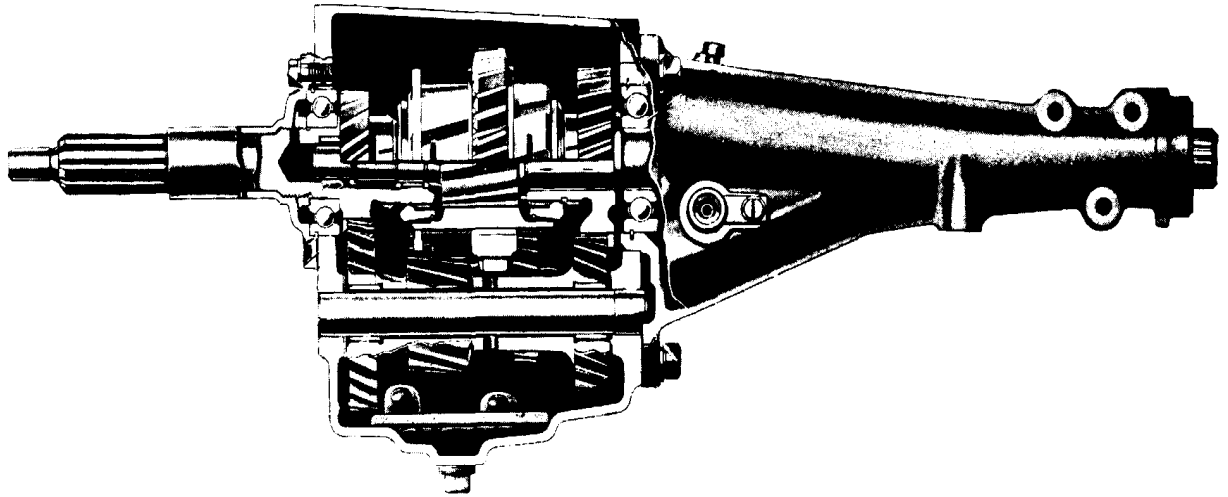


**GM**

**VENTURA II  
PARTS CATALOGUE**

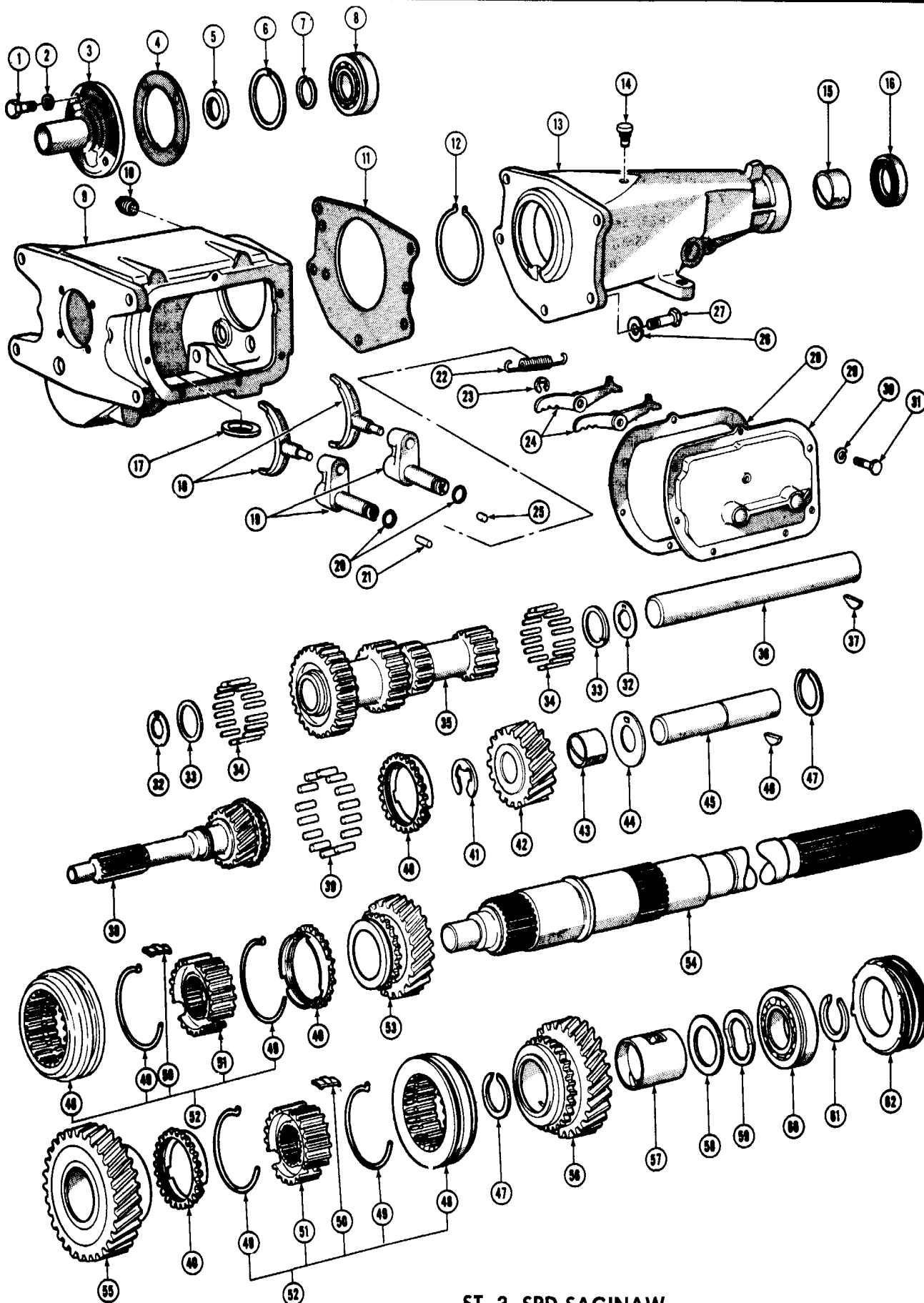
---



# **3-SPEED MANUAL TRANSMISSION**



VENTURA II  
PARTS CATALOGUE



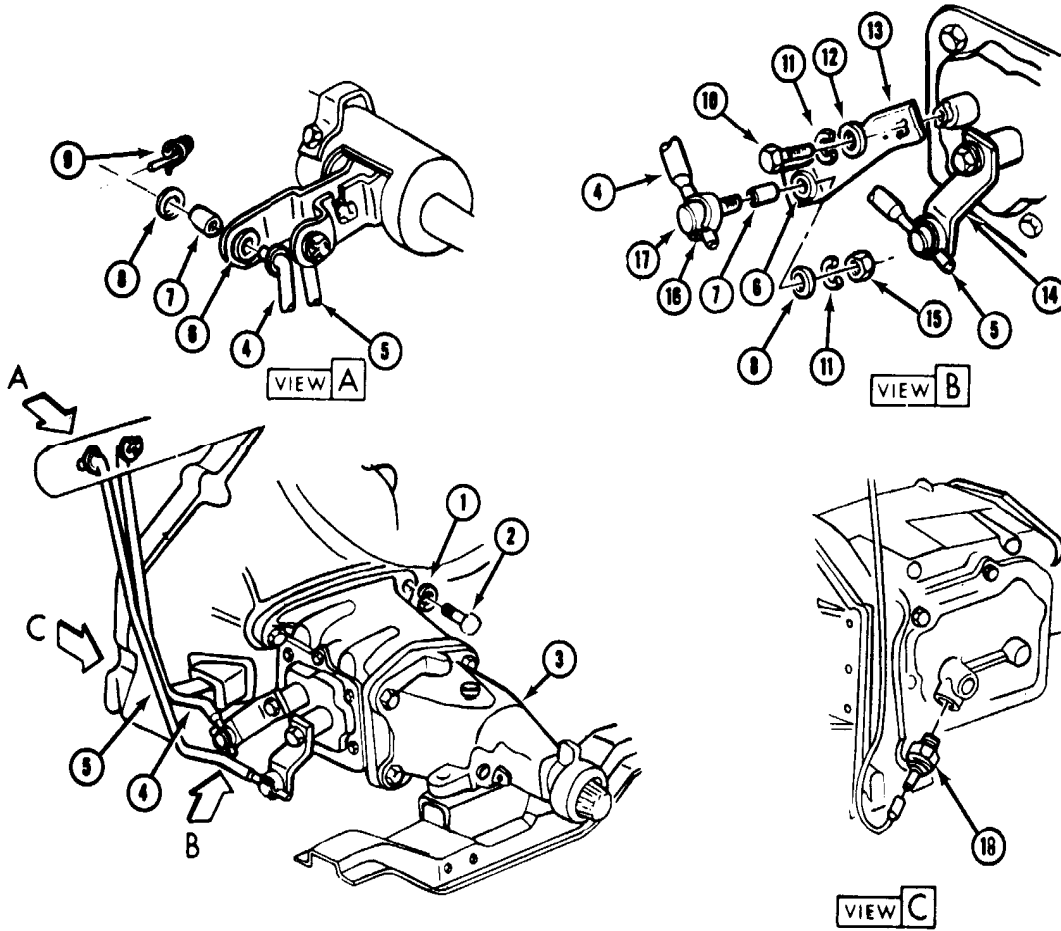
ST 3 SPD SAGINAW



**ST 3 SPD SAGINAW**

Key	Description	Part No.	Qty.	Group
1	Bolt, Retainer to Case— $\frac{5}{16}$ -18 x $\frac{3}{4}$ .....	180077	AR	8.900
2	Washer, Retainer to Case Bolt — $\frac{5}{16}$ Med. Lock .....	—	—	8.931
3	Retainer, Trans. Clutch Gear Bearing ....	3859032	1	4.356
4	Gasket, Trans. Clutch Gear Bearing Retainer .....	3916113	1	4.358
5	Seal, Trans. Clutch Gear Bearing Oil ....	3987936	1	4.354
6	Ring, Trans. Clutch Gear Bearing Locating .....	590849	1	4.376
8	Bearing, Trans. Clutch Gear .....	907929	1	4.355
9	Case and Magnet, Trans. ....	3925642	1	4.103
10	Plug, Case Filler— $\frac{1}{2}$ -14 Sq. Hd. ....	—	—	8.971
11	Gasket, Trans. Rear Extension .....	3876752	1	4.318
12	Ring, Trans. Bearing to Case .....	3707174	1	4.412
13	Extension Assy., Trans. ....	3873885	1	4.317
14	Vent, Trans. Extension .....	3738462	1	4.317
15	Bushing, Trans. Rear Extension .....	6260048	1	4.319
16	Seal, Trans. Extension Oil .....	1386231	1	4.318
17	Magnet, Case Chip Collector —Part of #9 .....	N.S.S.	—	—
18	Fork, Trans. Shifter .....	3858997	2	4.303
19	Shaft, Trans. Shifter .....	3932234 1st & Rev. 3952649 2nd & 3rd	1 1	4.309 4.309
20	Seal, Trans. Shifter Shaft .....	3844036 1st & Rev. 3831716 2nd & 3rd	2 1	4.313 4.313
21	Pin, Trans. Detent Cam .....	3831715	1	4.311
22	Spring, Trans. Detent Cam .....	3831718	1	4.311
24	Cam, Trans. Detent .....	3911919	2	4.311
25	Pin, $\frac{3}{16}$ x $\frac{3}{8}$ Dowel .....	—	—	8.939
26	Washer, Extension to Case — $\frac{7}{16}$ Heavy Lock .....	—	—	8.931
27	Bolt, Extension to Case — $\frac{7}{16}$ -14 x $\frac{1}{8}$ Hex. Hd. ....	—	—	8.900
28	Gasket, Trans. Cover .....	3858990	1	4.109
29	Cover, Trans. Case .....	3987952	1	4.103
30	Washer, Cover to Case Bolt — $\frac{5}{16}$ Med. Lock .....	—	—	8.931
31	Bolt, Cover to Case $\frac{5}{16}$ -18 x $\frac{3}{4}$ Hex. Hd. ....	—	—	8.900

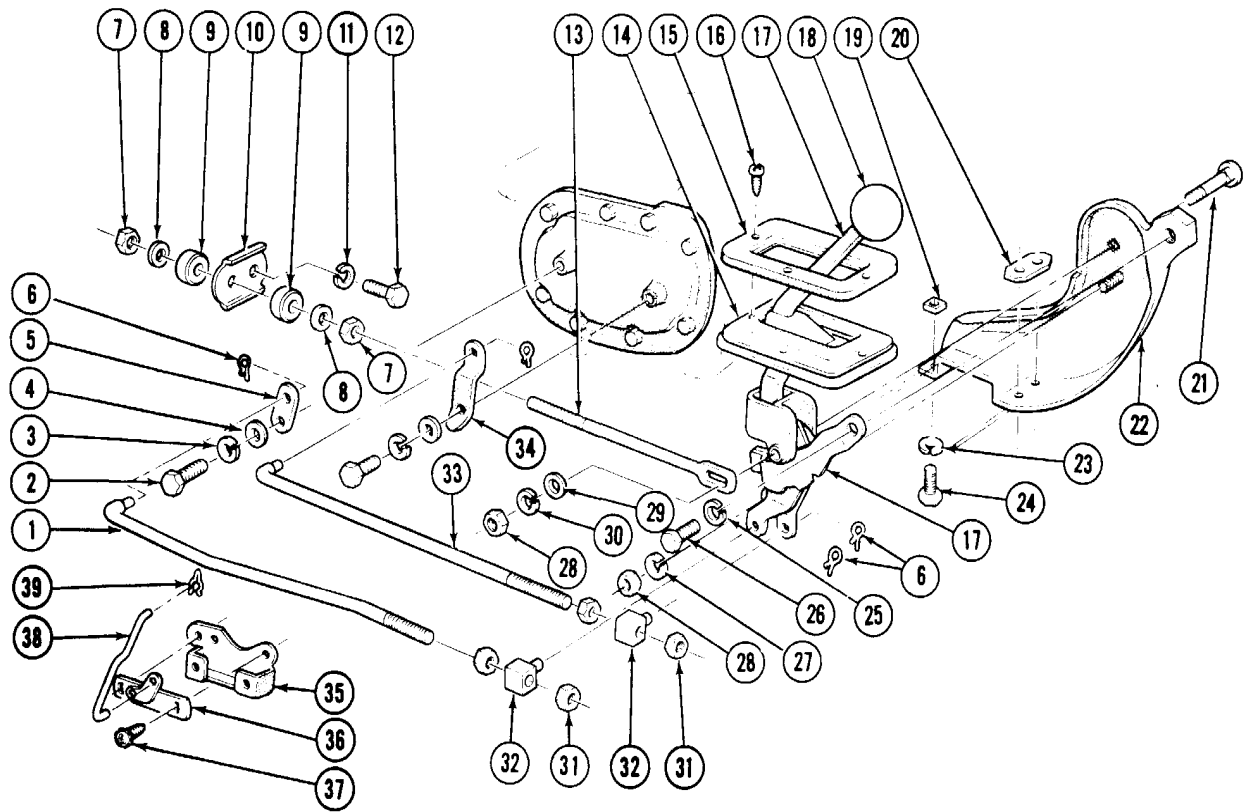
Key	Description	Part No.	Qty.	Group
32	Washer, Trans. Counter Gear Thrust ....	3890565	2	4.423
33	Washer, Trans. Countershaft Bearing .....	3859006	2	4.423
34	Bearing, Trans. Counter Gear Roller .....	435847	AR	4.422
35	Gear, Trans. Countershaft .....	3858998	1	4.421
36	Countershaft, Trans. ....	3859005	1	4.428
37	Key, Countershaft Lock — $\frac{1}{8}$ x $\frac{5}{8}$ Woodruff .....	—	—	8.960
38	Gear, Trans. Clutch .....	3859030	1	4.351
39	Bearing, Trans. Mainshaft Front Roller ..	3743449	14	4.352
40	Ring, Trans. Synchronizer Blocking .....	3859027	3	4.383
41	Ring, Trans. Reverse Idler Gear Retaining .....	9414486	1	4.435
42	Gear, Trans. Reverse Idler .....	3859007	1	4.430
43	Bushing, Reverse Idler Gear —Part of Item #42 .....	N.S.S.	—	—
45	Shaft, Trans. Reverse Idler Gear .....	3998253	1	4.433
46	Key, Reverse Idler Shaft Lock — $\frac{1}{8}$ x $\frac{5}{8}$ Woodruff .....	—	—	8.960
47	Retainer, Trans. Synchronizer Ring .....	3859025	1	4.383
48	Sleeve, Synchronizer—Part of Item #25	N.S.S.	—	—
49	Spring, Trans. Synchronizer .....	3924768	4	4.413
50	Key, Synchronizer—Part of Item #52 ....	N.S.S.	—	—
51	Hub, Synchronizer—Part of Item #52 ....	N.S.S.	—	—
52	Synchronizer Assy., Trans. ....	3924766	2	4.380
53	Gear, Trans. Second Speed .....	3859019	1	4.395
54	Shaft, Trans. Main .....	3915014	1	4.403
55	Gear, Trans. First Speed .....	3859014	1	4.417
56	Gear, Trans. Reverse .....	3859015	1	4.417
57	Bushing, Reverse Gear —Part of Item #56 .....	N.S.S.	—	—
58	Washer, Trans. Reverse Gear Thrust .....	3869940	1	4.419
59	Washer, Trans. Reverse Gear Thrust—Wave .....	3884595	1	4.419
60	Bearing, Trans. Mainshaft .....	725756	1	4.408
61	Ring, Trans. Rear Bearing to Mainshaft ..	3707189	1	4.412
62	Gear, Speedometer Drive .....	3708144	1	4.343
N.S.S.—Not Serviced Separately.				



**3 SPD. TRANSMISSION COLUMN SHIFT CONTROL ROD LINKAGE**

Key	Description	Part No.	Qty.	Group
1	L/Washer (1/2)	S.S.	AR	8.931
2	Bolt (1/2-13x1 1/4)	S.S.	AR	8.900
3	Transmission Assembly	—	1	4.003
4	Rod - 2nd and 3rd	3982313	1	4.035
5	Rod - 1st and Rev.	3982315	1	4.035
6	Grommet	—	1	4.037
7	Bushing	382102	AR	4.037
8	P/Washer (25/64 x 1 x 1/64)	S.S.	AR	8.929
9	Clip	—	AR	4.037

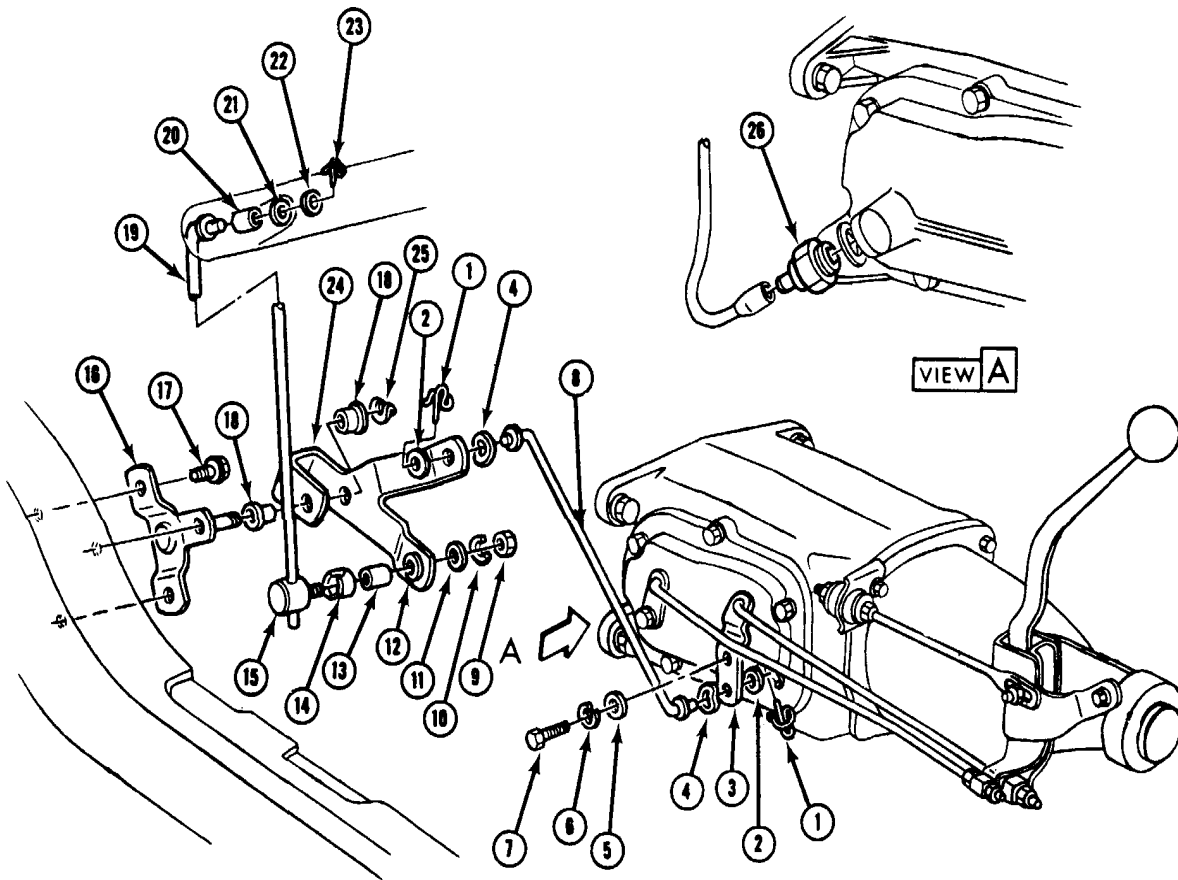
Key	Description	Part No.	Qty.	Group
10	Bolt (3/8-16x7/8)	S.S.	AR	8.900
11	L/Washer (3/8)	S.S.	AR	8.931
12	P/Washer (3/8)	S.S.	AR	8.929
13	Lever - 2nd and 3rd	3920289	1	4.045
14	Lever - 1st and Rev.	3939717	1	4.045
15	Nut (3/8-16)	S.S.	AR	8.915
16	Clamp	—	AR	4.037
17	Swivel	—	AR	4.037
18	Switch Assy. T.C.S.	3961567	1	4.054



### 3-SPD. MANUAL TRANS. FLOOR SHIFT CONTROL—TYPICAL\*

Key	Part Name	Group No.	Key	Part Name	Group No.
1	ROD, Trans. Control - 2nd & 3rd	4.035	22	SUPPORT ASM., Control Lever Bracket	4.010
2	BOLT, Shifter Lever to Trans. (3/8"-16 x 1")	8.900	23	LOCKWASHER, Control Lever & Bracket Support (5/16")	8.931
3	LOCKWASHER, Shifter Lever to Trans. (3/8")	8.931	24	BOLT, Control Lever & Bracket Support (5/16"-18 x 7/8")	8.900
4	LEVER, Trans. Shifter - 2nd & 3rd	4.045	25	LOCKWASHER, Control Lever & Bracket (3/8")	8.931
5	WASHER, Shifter Lever to Trans. (3/8" I.D. x 3/4" O.D. x 1/16")	8.929	26	BOLT, Control Lever & Bracket (3/8"-16 x 1")	8.900
6	CLIP, Control Rod to Shifter Lever	4.037	27	LOCKWASHER, Control Lever & Bracket (3/8")	8.931
7	NUT, Stabilizer Bracket to Shaft (3/8"-16 Hex. lock)	8.917	28	NUT, Control Lever & Bracket (3/8"-16 Hex. jam)	8.917
8	RETAINER, Stabilizer Shaft Grommet	4.037	29	WASHER, Control Lever & Bracket to Support (3/8" I.D. x 3/4" O.D.)	4.004
9	GROMMET, Stabilizer Shaft to Bracket	4.027	30	LOCKWASHER, Control Lever & Bracket (3/8" thick)	8.931
10	BRACKET, Front Stabilizer Shaft to Trans. Case	4.010	31	NUT, Control Rod Rear Swivel Adj.	8.915
11	LOCKWASHER, Stabilizer Shaft Brkt. to Case Bolt (7/16")	8.931	32	SWIVEL, Trans. Control Rod	4.037
12	BOLT, Stabilizer Shaft Brkt. to Case (7/16"-14 x 1-3/8")	8.900	33	ROD, Trans. Control - 1st & Reverse	4.035
13	SHAFT, Control Lever & Bracket - Stabilizer	4.010	34	LEVER, Trans. Shifter - 1st & Reverse	4.045
14	SEAL, Underbody Control Lever	4.015	35	BRACKET, Back-Up Lamp Switch	2.698
15	RETAINER, Control Lever Seal	4.015	36	SWITCH ASM., Back-Up Lamp	2.698
16	SCREW, Control Lever Trim Plate	8.977	37	SCREW & LOCKWASHER ASM., Back-Up Lamp Switch (#10-24 x 1/2")	8.977
17	LEVER & BRACKET ASM., Trans. Control	4.004	38	ROD, Back-Up Lamp Switch Control	2.698
18	KNOB, Trans. Control Lever	4.006	39	RETAINER, Back-Up Lamp Switch Rod	8.934
19	NUT, Control Lever & Bracket Support (1-hole)	4.008			
20	NUT, Control Lever & Bracket Support (2-hole)	4.008			
21	BOLT, Control Lever & Bracket (3/8"-16 x 3")	4.012			

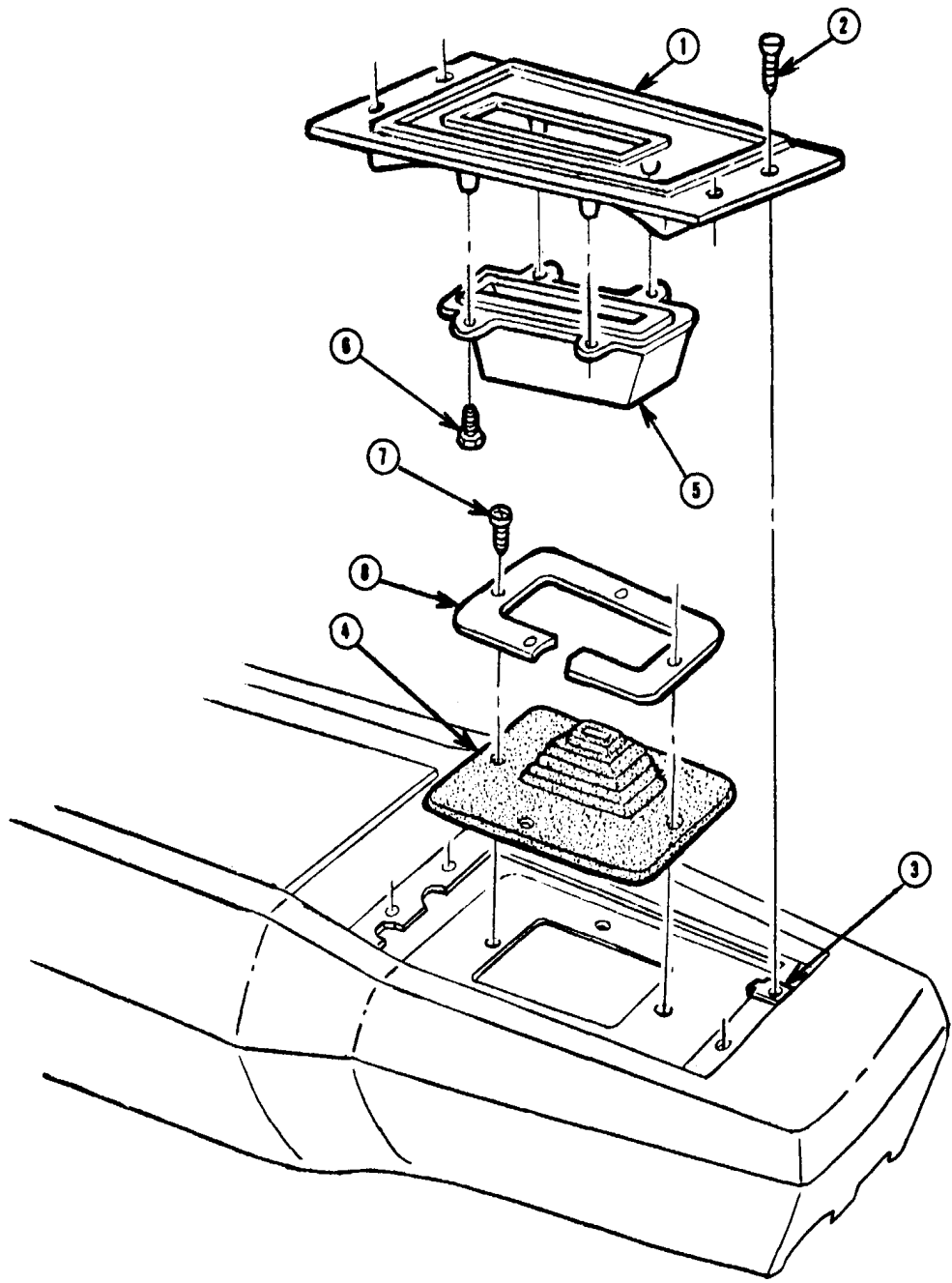
\*SEE ALSO STRG. COL. LOCK CONTROLS ILLUSTRATED WITHIN THIS GROUP



### 3 SPEED TRANS-BACK DRIVE LINKAGE

Key	Description	Part No.	Qty.	Group
1	Retainer .....	3929844	2	4.037
2	Washer .....	S.S.	AR	8.929
3	Lever — 1st and Reverse .....	3939717	1	4.045
4	Washer .....	S.S.	AR	—
5	Washer .....	S.S.	AR	8.929
6	L/Washer (3/8) .....	S.S.	AR	8.931
7	Bolt (3/8) .....	S.S.	AR	8.900
8	Rod—Lower .....	3955767	1	4.035
9	Nut (3/8-16) .....	S.S.	AR	8.915
10	L/Washer (3/8) .....	S.S.	AR	8.931
11	Washer .....	9418399	AR	4.037
12	Grommet .....	—	1	4.037
13	Bushing .....	382102	AR	4.037

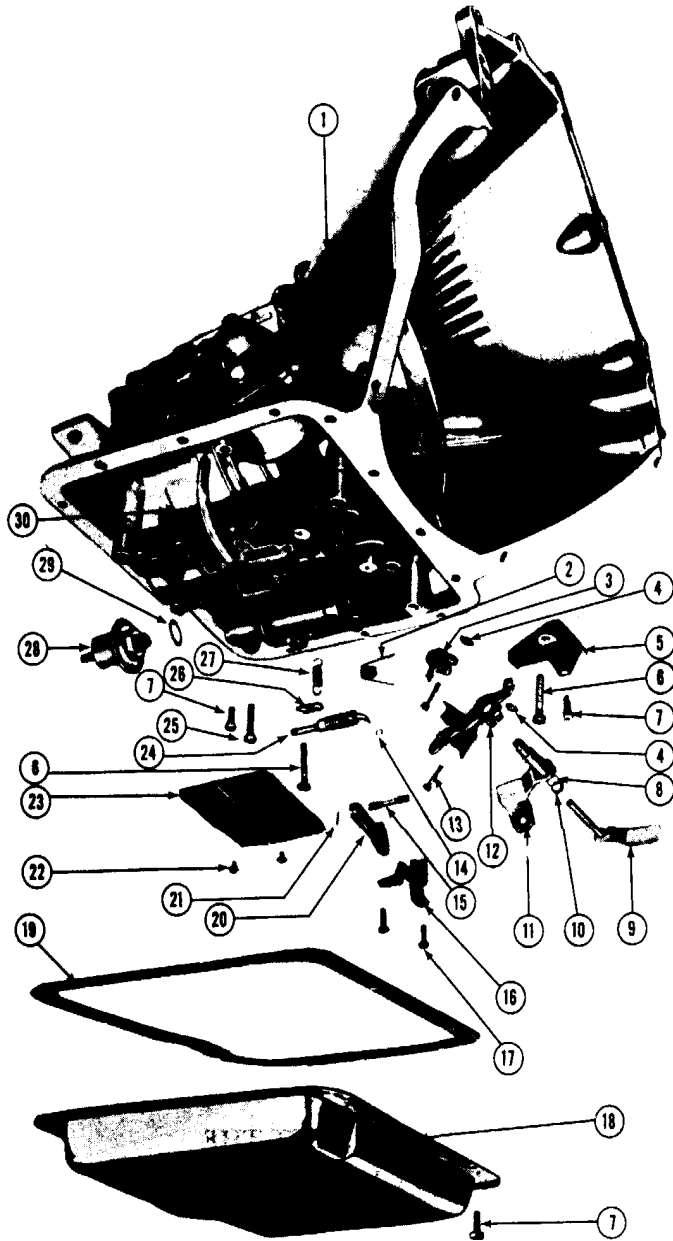
Key	Description	Part No.	Qty.	Group
14	Clamp .....	—	AR	4.037
15	Swivel .....	—	AR	4.037
16	Support Assy. ....	3895291	1	4.040
17	Screw Assy. (5/16-18x3/4) .....	S.S.	AR	8.977
18	Bushing .....	3792168	2	4.042
19	Rod — Upper .....	3972256	1	4.035
20	Sleeve .....	—	1	4.037
21	Grommet .....	—	1	4.037
22	P/Washer .....	—	AR	4.037
23	Retainer .....	—	AR	4.037
24	Lever — Idler .....	3895290	1	4.040
25	Lock .....	3685801	1	4.042
26	Switch Assy.— T.C.S. ....	3961567	1	4.054



**FRONT COMPARTMENT FLOOR CONSOLE — TRIM PLATE**

Key	Description	Part No.	Qty.	Group
1	Plate, Underbody Transmission Control ....	3921895	1	4.017
2	Screw — 8-19x $\frac{3}{4}$ .....	9414754	AR	8.977
3	"U" Nut 8-18 .....	9427761	AR	8.921
4	Seal, Transmission Control Lever .....	3974526	1	4.015
5	Extension, Transmission Control Plate .....	3974524	1	4.017

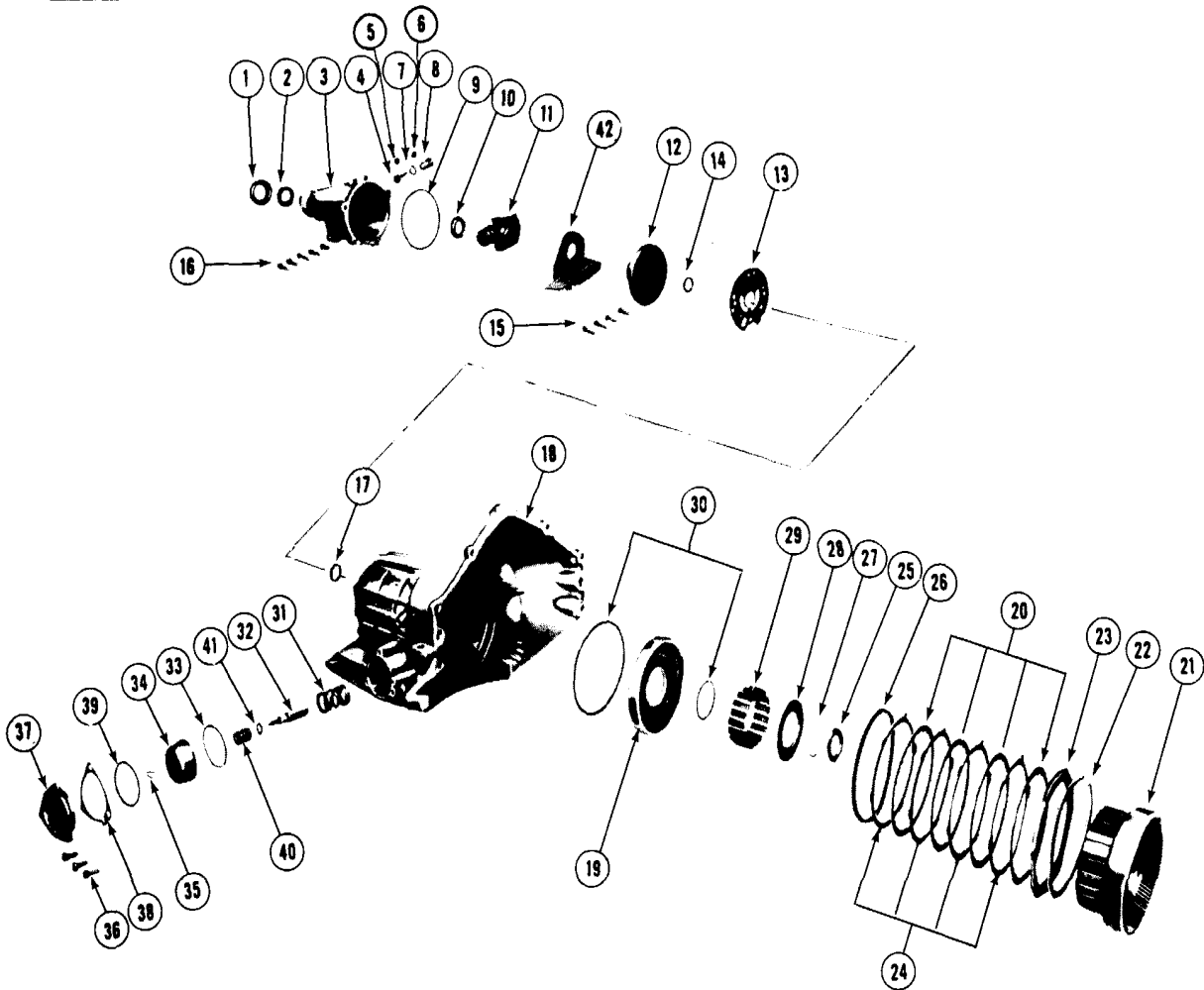
Key	Description	Part No.	Qty.	Group
6	Screw — 8-32x $\frac{5}{16}$ .....	9412180	AR	S.S.
7	Screw — 8-32x $\frac{3}{4}$ .....	9419873	AR	8.908
8	Retainer, Transmission Control Lever Seal	3893877	1	4.015
S.S. — Standard Stock				



Key	Part Name	Part No.	Group No.
1	CASE & BUSHING ASM., Trans. ....	See Cat.	4.103
2	SPRING, Lock Pawl Disengaging .....	3821953	4.220
3	LEVER, Throttle Valve Cont.- Inner .....	3789138	4.278
4	NUT, (1/4"-20) .....	120375	8.915
5	GUIDE, Lock & Range Selector Inner Lever .....	3813591	4.218
6	BOLT, (5/16"-18 x 1 3/4") ...	-	N.S.
7	BOLT, (5/16"-18 x 3/4") ....	180077	8.900
8	SEAL, Valve Lever Shaft .....	8526398	4.278
9	LEVER, Valve Control-Outer ..	3952617	4.050
10	WASHER, Throttle Lever .....	3978774	4.052
11	LEVER & SHAFT, Park, Lock & Range Select.-Outer .....	See Cat.	4.045
12	LEVER, Park, Lock & Range Select.-Inner .....	3824051	4.279
13	BOLT, (1/4"-20 x 7/8") .....	180021	8.900
14	RING, Actuator to Lever .....	9411834	8.934
15	SHAFT, Lock Pawl .....	3789130	4.294
16	BRACKET, Park, Lock Reaction ..	3789127	4.220
17	BOLT, (5/16"-18 x 7/8") .....	443899	8.900
18	PAN, Oil .....	3789146	4.195
19	GASKET, Oil Pan .....	3789148	4.196
20	PAWL, Park, Lock .....	3815199	4.294
21	RING, Pawl Shaft Ret. ....	3750532	4.220
22	SCREW, Pump Suction Screen ..	-	N.S.
23	SCREEN, Pump Suction .....	6263005	4.197
24	ACTUATOR, Park Lock .....	3978780	4.294
25	BOLT, (5/16"-18 x 1 3/8") ...	-	N.S.
26	RETAINER, Detent Roller Spring	3789117	4.218
27	SPRING, Detent Roller .....	3839320	4.218
28	MODULATOR, Vacuum .....	See Cat.	4.205
29	GASKET, Modulator .....	6257218	4.205
30	TUBE, Servo Applicator Pressure	3795898	4.216

**POWERGLIDE TRANSMISSION CASE AND LINKAGE**

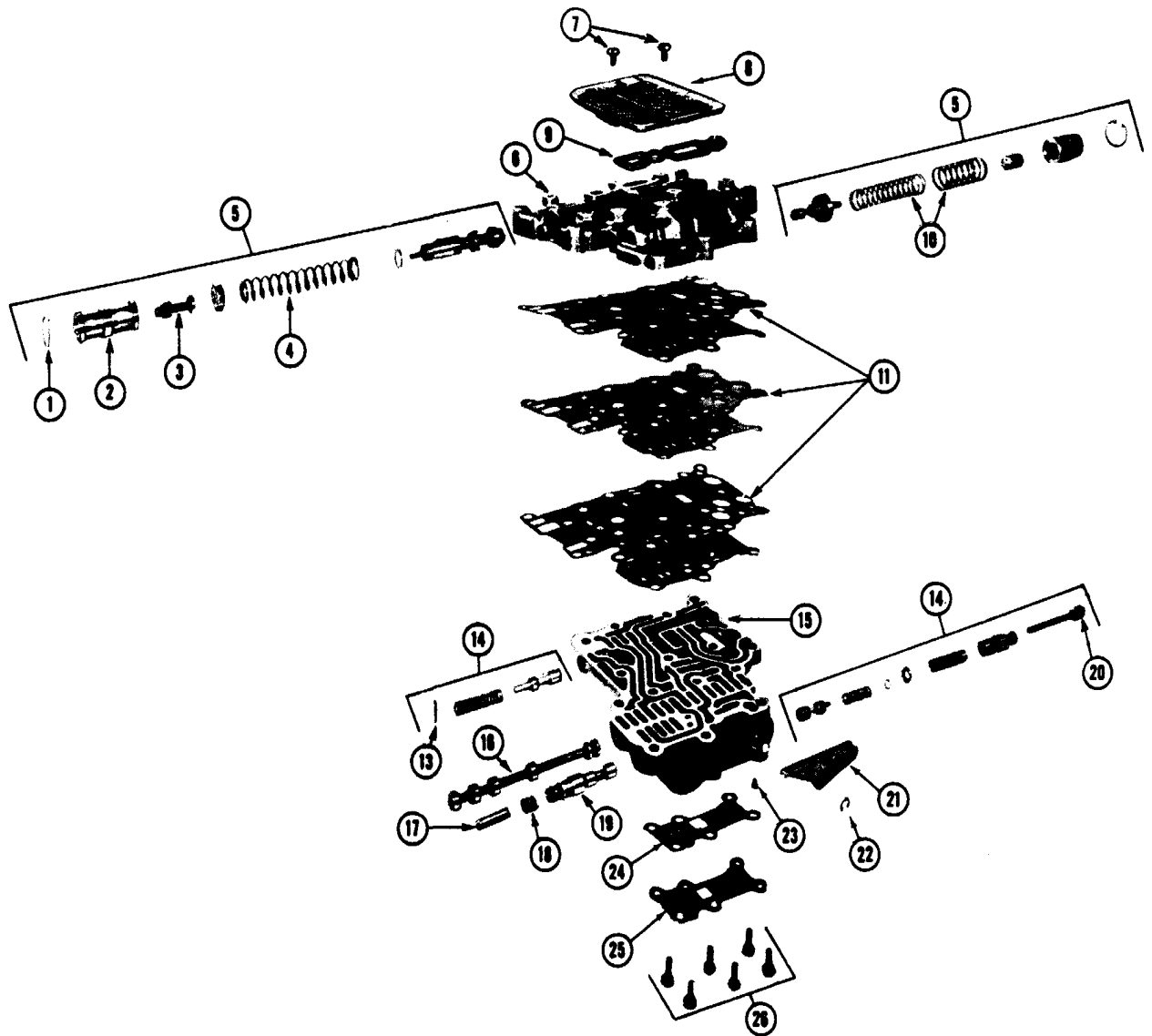




## POWERGLIDE TRANSMISSION SPEEDOMETER GEARS, LOW SERVO & REVERSE CLUTCH

Key	Description	Part No.	Qty.	Group
1	Seal, Extension Oil .....	1386231	1	4.318
3	Extension & Bushing .....	3987986	1	4.317
4	Gear, Speedometer Driven — See Data Section .....	—	1	4.337
5	Retainer, Speedometer Driven Gear .....	3708148	1	4.338
6	Bolt (¼-20 x ¾) .....	—	AR	8.900
7	Seal, Speedometer Driven Gear Fitting "O" Ring .....	3708146	1	4.338
8	Fitting & Seal Assy., Speedometer Driven Gear .....	3869914	1	4.338
9	Seal, Extension To Case .....	3789056	1	4.104
10	Gear, Speedometer Drive .....	See Data Section	1	4.343
11	Governor Assy. 307 Engine .....	3987913	1	4.256
12	Body, Governor Support .....	3996642	1	4.256
13	Gasket, Governor Support Body .....	3987943	1	4.256
14	Bushing, Governor Support Body .....	3789877	1	4.256
15	Bolt (⅝-18 x 1¼) .....	—	AR	8.900
16	Bolt (⅝-16 x 1¾) .....	—	AR	8.900
17	Bushing, Case .....	3789009	1	4.104
18	Case Assy. — Incl. Bushing .....	3981855	1	4.103
19	Piston, Reverse Clutch .....	3845857	1	4.166
20	Plate, Reverse Clutch Drive .....	3832386	AR	4.163
21	Gear, Reverse Ring .....	See Data	1	4.187
22	Ring, Reverse Clutch Pack Snap .....	3796576	1	4.164

Key	Description	Part No.	Qty.	Group
23	Plate, Reverse Clutch Pressure .....	6257025	1	4.163
24	Plate, Reverse Clutch Driven .....	1379373	AR	4.163
25	Bearing, Output Shaft Needle Thrust .....	3742922	1	4.176
26	Spring, Reverse Clutch Cushion .....	3845858	1	4.164
27	Ring, Reverse Clutch Piston Return Spring Retaining .....	6255698	1	4.164
28	Seat, Reverse Clutch Piston Retaining Spring .....	3789062	1	4.164
29	Spring, Reverse Clutch Piston Return .....	3789061	17	4.164
30	Seal Unit, Reverse Clutch Piston .....	3799008	1	4.166
31	Spring, Low Servo Piston Return .....	3815914	1	4.228
32	Rod, Low Servo Piston .....	3907181	1	4.228
33	Ring, Low Servo Piston .....	3789084	1	4.228
34	Piston, Low Servo .....	3846173	1	4.228
35	Retainer, Low Servo Piston Rod Spring .....	3905402	1	4.228
36	Bolt (⅝-16 x ⅞) .....	—	AR	8.900
37	Cover, Low Servo .....	3789085	1	4.212
38	Gasket, Low Servo Cover .....	3789086	1	4.212
39	Seal, Low Servo Cover .....	3789087	1	4.212
40	Spring, Low Servo Piston Apply .....	3846166	1	4.228
41	Washer, Low Servo Piston Apply Spring .....	3702807	1	4.228
42	Baffle, Oil Drain Back .....	3816920	1	4.105



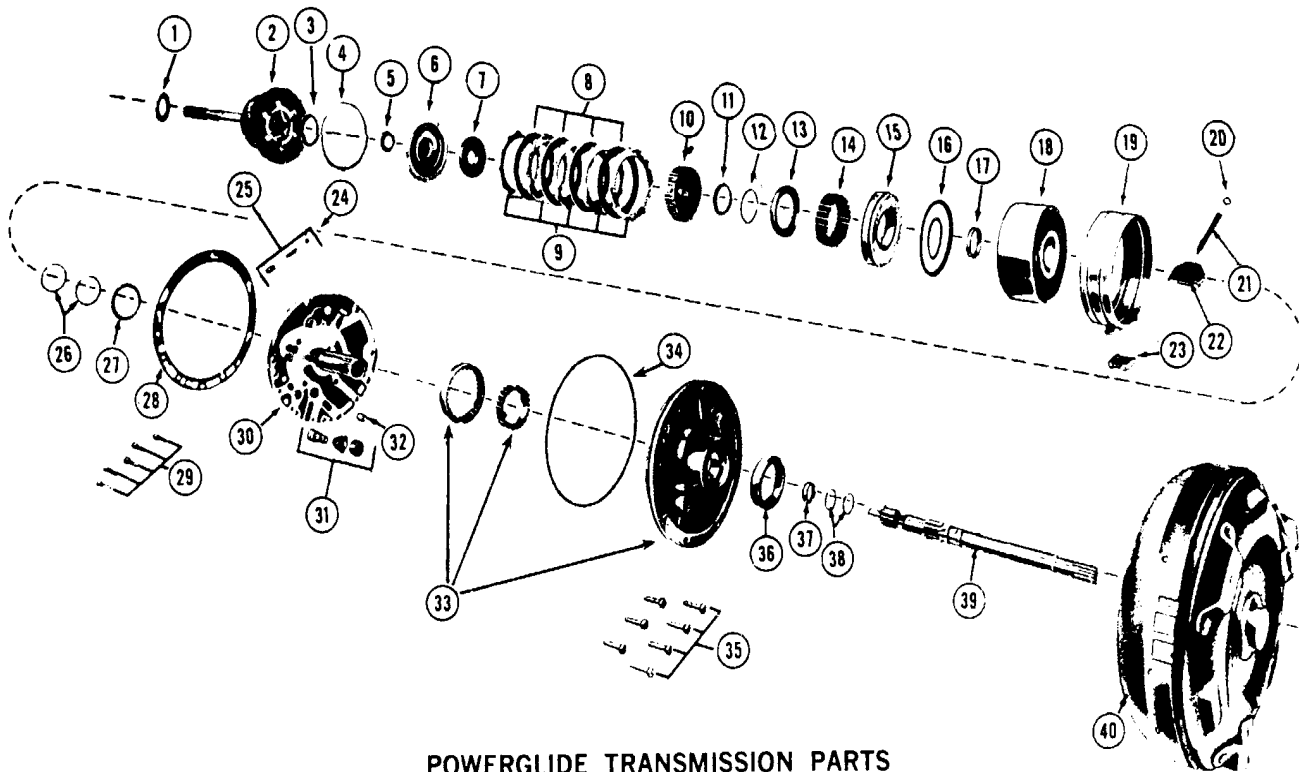
**POWERGLIDE TRANSMISSION VALVE BODY**

Key	Description	Part No.	Qty.	Group
1	Ring, Hydraulic Modulator Valve Retainer	274613	1	8.934
2	Sleeve, Hydraulic Modulator Valve	3792250	1	4.216
3	Valve, Hydraulic Modulator	3792251	1	4.216
4	Spring, Pressure Regulator Valve	3814086	1	4.216
5	Parts of Lower Valve Body Assy., Key #6 — If individual Part is Keyed it is Serviced Separately.			
6	Body Assy., Valve Lower	3968071	1	4.216
7	Screw (1/4-20 x 3/8)	9417726	2	8.913
8	Screen, Oil Pump Suction	3849968	1	4.197
9	Gasket, Oil Pump Suction Screen	3975990	1	4.197
10	Spring Unit, Low Drive Valve	3977616	1	4.216
11	Plate & Gasket, Valve Body Transfer	3981738	1	4.215
13	Pin, Straight (1/8 x 3/4)	274795	1	8.939
14	Parts of Upper Valve Body Assy., Key #15 — If Individual Part is Keyed it is Serviced Separately.			

Key	Description	Part No.	Qty.	Group
15	Body Assy., Upper Valve — 1 BC Eng. .... — 2 BC Eng. ....	3992998 3992999	1 1	4.216 4.216
16	Valve, Manual Control	3925674	1	4.216
17	Plunger, Vacuum Modulator	3830311	1	4.205
18	Spring, Vacuum Modulator Damping	3839599	1	4.205
19	Valve, Vacuum Modulator	3830276	1	4.205
20	Nut, Throttle Valve Spring Adjuster	3767300	1	4.217
21	Roller & Lever, Range Selector Detent	3886200	1	4.218
22	Ring, Range Selector Detent Roller Retainer	274560	1	8.934
23	Stud, Detent Valve & Spring Retainer			
24	Gasket, Upper Valve Body Plate	3840329	1	4.217
25	Plate — N.S.S. Part of Key #15			
26	Bolt (1/4-20 x 3/8) With Lockwasher (1/4)		6 6	8.900 8.932
	N.S.S. — Not Serviced Separately.			



# VENTURA II PARTS CATALOGUE

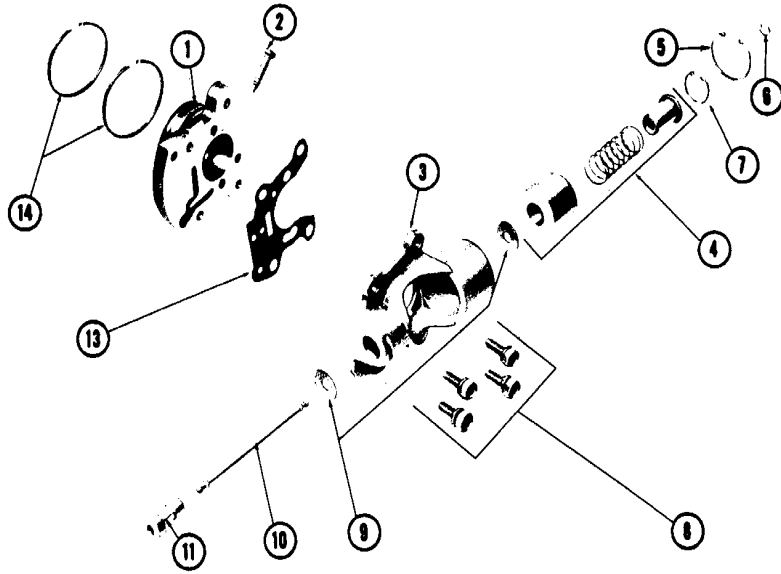


## POWERGLIDE TRANSMISSION PARTS

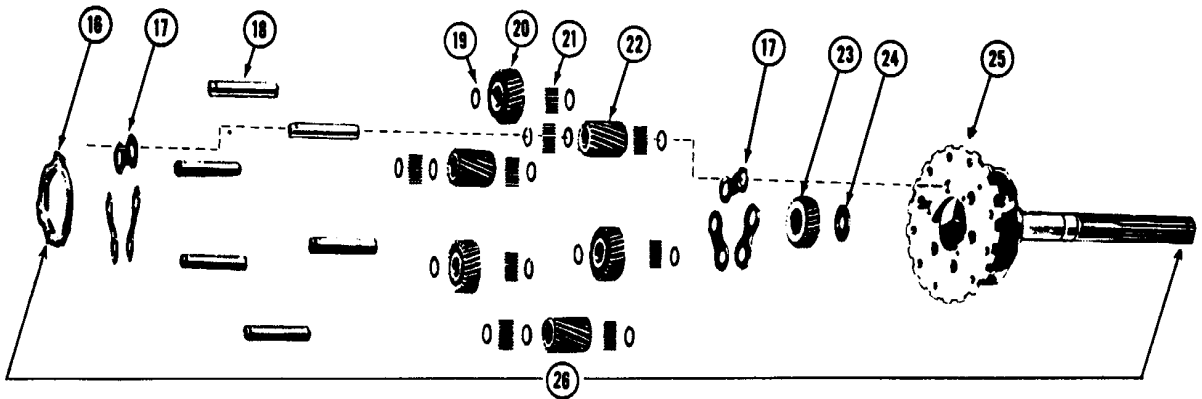
Key	Description	Part No.	Qty.	Group
1.	Bearing, Output Shaft Needle Thrust	3742922	1	4.176
2.	Carrier, Planet	3920785	1	4.175
3.	Bearing and Race, Low Sun Gear Needle Thrust	3771838	1	4.162
4.	Ring, Clutch Flange Retainer	3779911	1	4.162
5.	Washer and Bushing Unit, Low Sun Gear Thrust —Washer—See Key 37 for Bushing	3758781 N.S.S.	1	4.162
6.	Gear and Clutch Flange, Low Sun	3854333	1	4.162
7.	Washer, Clutch Hub Rear Thrust	3783286	1	4.164
8.	Plate, High Clutch Drive	3779904	AR	4.163
9.	Plate, Clutch Driven	3783287	AR	4.163
10.	Hub, Clutch	3792701	1	4.164
11.	Washer, Clutch Hub Front Thrust	3783285	1	4.169
12.	Ring, Reverse Clutch Piston Return Spring Retaining	6255698	1	4.164
13.	Seat, Clutch Spring	3789072	1	4.164
14.	Spring, High Clutch Piston Return	3783288	24	4.164
15.	Piston Clutch	3844206	1	4.166
16.	Seal Unit, Clutch Piston	3794123	1	4.166
17.	Bushing, Clutch Drum	3840760	1	4.162
18.	Drum & Bushing, Clutch	3844252	1	4.169
19.	Band, Low Brake	3883918	1	4.251
20.	Nut, Low Brake Band Anchor Adjusting Screw	3840137	1	4.253

Key	Description	Part No.	Qty.	Group
21.	Screw, Low Brake Band Anchor Adjusting	3789089	1	4.253
22.	Strut, Low Brake Band Anchor	1362592	1	4.251
23.	Strut, Low Brake Band Apply	3713613	1	4.251
24.	Pin— $\frac{1}{8}$ x $\frac{3}{4}$ Hollow Spring Type	—	1	8.939
25.	Valve Unit, Oil Pump Priming	3871500	1	4.216
26.	Ring, Clutch Drum Oil Sealing	3689808	2	4.169
27.	Washer, Clutch Drum Thrust — $.061$ in. Thick — $.078$ in. Thick — $.092$ in. Thick — $.106$ in. Thick	3845835 3845836 3845837 3845838	1 1 1 1	4.169 4.169 4.169 4.169
28.	Gasket, Front Oil Pump Body	3789022	1	4.203
29.	Bolt, Front Oil Pump Cover To Body	193940	5	4.203
30.	Cover & Stator Assy., Front Oil Pump	3988907	1	4.203
31.	Valve Unit, Oil Cooler By Pass	3977543	1	4.216
32.	Valve, Downshift Timing	3830128	1	4.216
33.	Parts of Front Oil Pump—N.S.S.	3828786	1	4.200
34.	Seal Unit, Front Oil Pump	3886384	1	4.203
35.	Bolt and Seal, Front Oil Pump To Case	6261374	8	4.226
36.	Seal, Front Oil Pump To Case Body Oil	8626916	1	4.203
37.	Bushing—N.S.S.—Part of Washer and Bushing Unit, Low Sun Gear Thrust—See Key #5 for Washer	3758761	1	4.162
38.	Ring, Input Shaft Oil Seal	3817715	2	4.123
39.	Shaft, Input	3946732	1	4.123
40.	Converter—Rebuilt by G.M. 6 Cyl. 307 Eng.	3998276 3991015	1 1	4.115 4.115

N.S.S.—Not Serviced Separately.



**POWERGLIDE TRANSMISSION GOVERNOR**

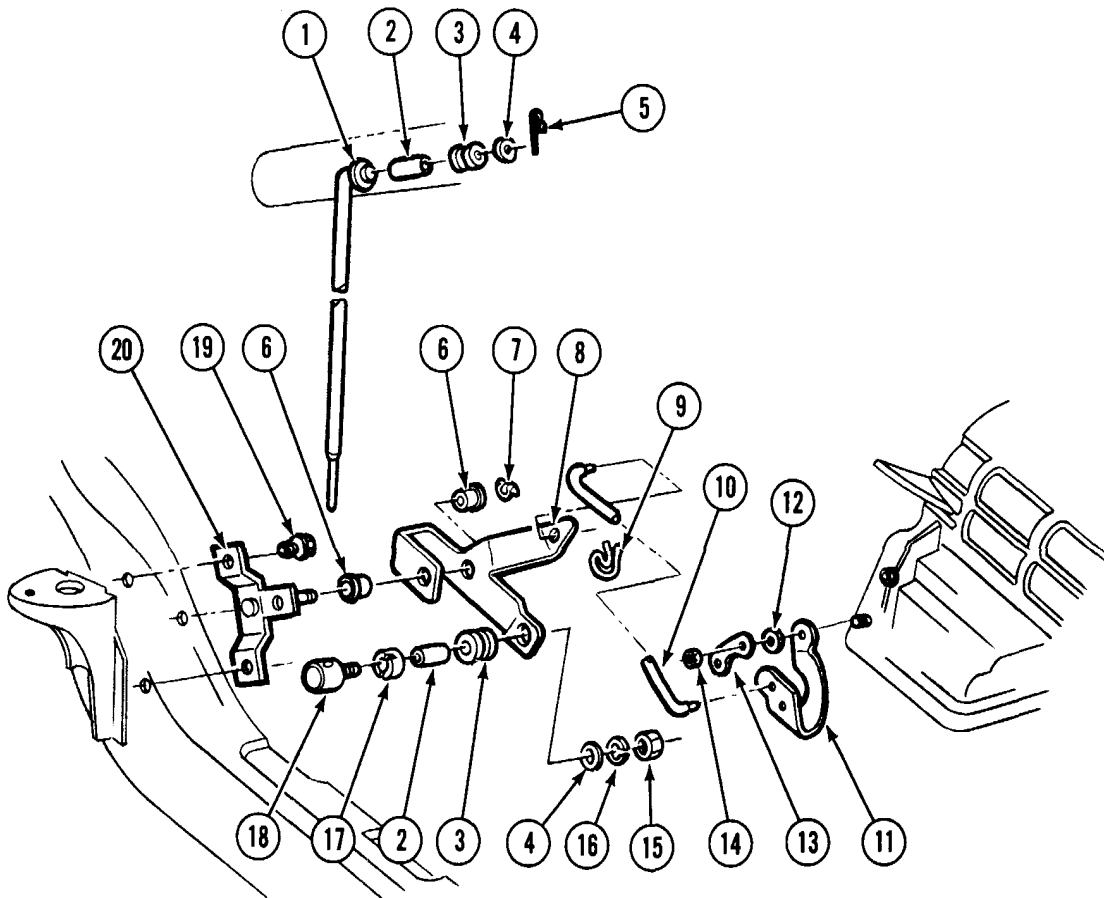


**POWERGLIDE TRANSMISSION PLANET CARRIER**

Key	Description	Part No.	Qty.	Group
1	Hub, Governor — N.S.S. Part of Key #15	—	—	—
2	Screw, Governor Hub Drive	3789048	1	4.256
3	Body, Governor — N.S.S. Part of Key #15	—	—	—
4	Weight Assy., Governor —	3882877	1	4.256
5	Ring, Governor Outer Weight Retainer ..	2749787	1	4.256
6	Ring, Governor Inner Weight to Connector Shaft Retainer	3798068	1	4.259
7	Ring, Governor Inner Weight Retainer ..	9414875	1	4.256
8	Screw, Governor Body to Hub	3856672	4	4.256
9	Washer, Governor Damping	3905432	2	4.256
10	Shaft, Governor Connector	3850517	1	4.259
11	Valve, Governor	3850516	1	4.256
13	Gasket, Governor	3818935	1	4.256
14	Ring, Governor Hub Oil-Sealing	3689808	2	4.256
15	Governor Assy.	See Data	1	4.256
16	Plate, Planet Pinion Shaft Lock	3694428	1	4.176

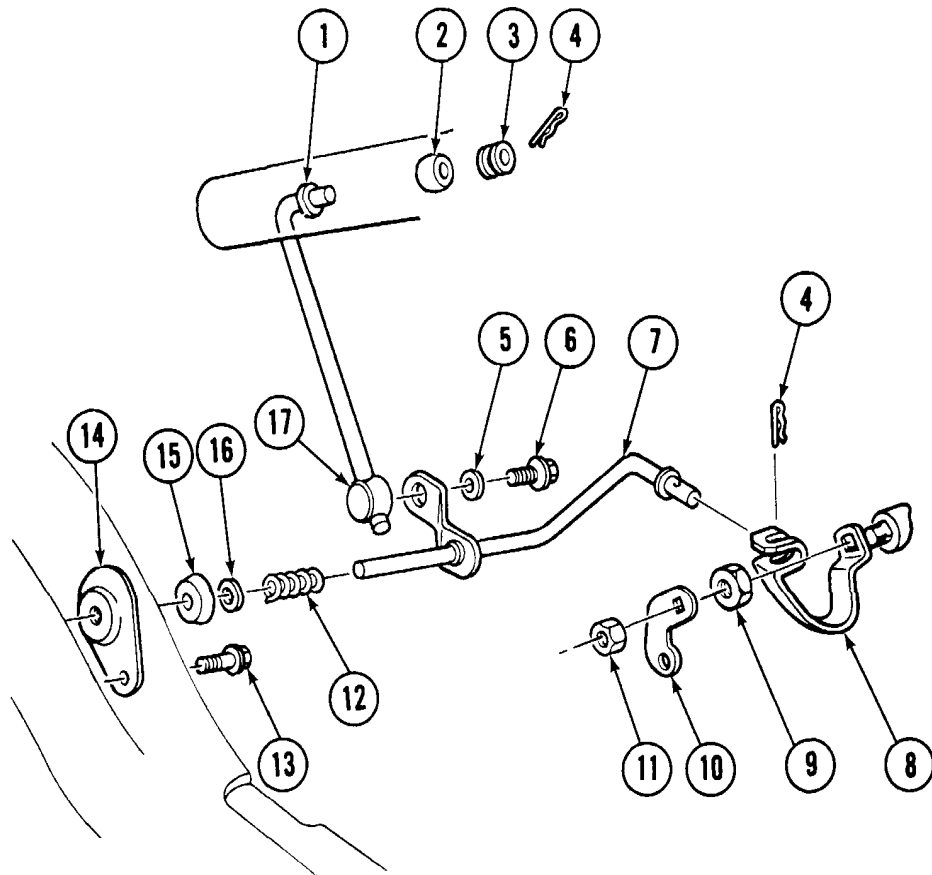
Key	Description	Part No.	Qty.	Group
17	Washer, Planet Pinion Thrust	3790777	6	4.176
18	Shaft, Planet Pinion	3694427	6	4.175
19	Spacer, Planet Pinion Needle Bearing ..	3790162	18	4.176
20	Pinion, Planet (Short)	3790163	3	4.175
21	Bearing, Planet Pinion Needle	7450410	AR	4.176
22	Pinion, Planet (Long)	3790164	3	4.175
23	Gear, Planet Input Sun	3756797	1	4.175
24	Washer, Planet Input Sun Gear Thrust ..	3689834	1	4.176
25	Shaft — N.S.S. Part of Key #26	—	—	—
26	Carrier Assy., Planet	3920785	1	4.175

N.S.S.—Not Serviced Separately.



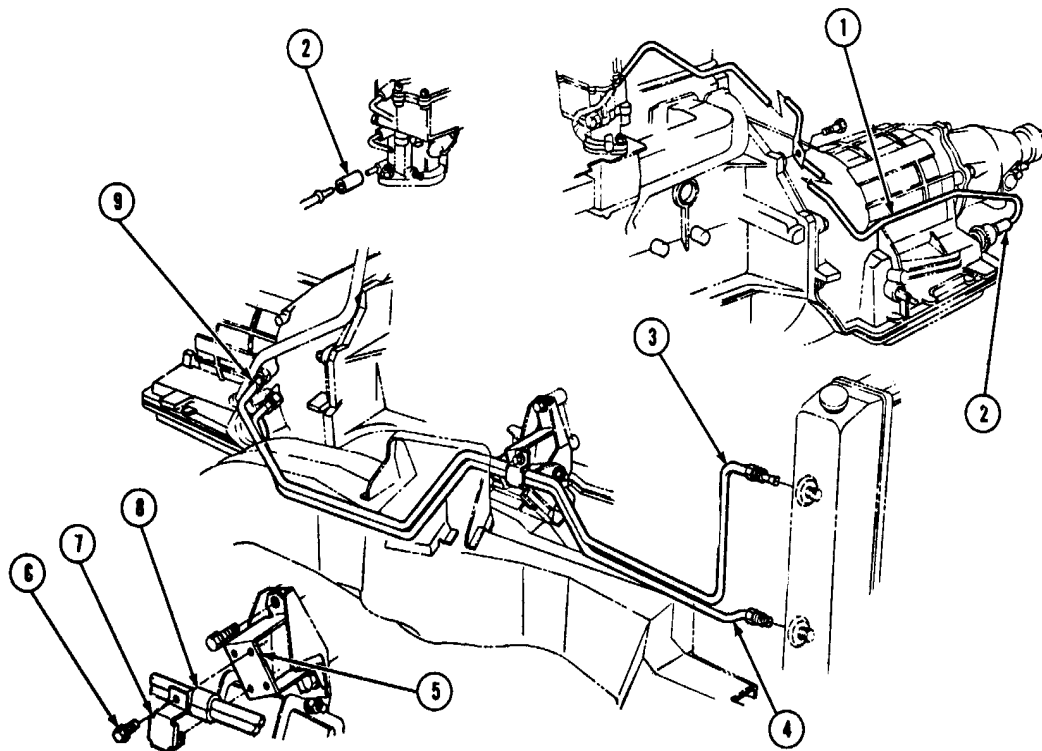
**1971 A.T. COLUMN SHIFT CONTROL**

Key	Part Name	Group No.
1	ROD, Gearshift Control-Upper	4.035
2	BUSHING, Control Rod (3/8" I.D. x 1/2" O.D.)	4.037
3	GROMMET, Rod to Shaft	4.037
4	WASHER, Control Rod (13/32" I.D. x 3/4" O.D. x 1/32")	4.037
5	RETAINER, Control Rod	4.037
6	BUSHING, Idler Lever to Supt.	4.042
7	LOCK, Idler Lever	4.042
8	LEVER, Control Rod Idler	4.040
9	CLIP, Rod to Shift Levers	4.037
10	ROD, Gearshift Control-Lower	4.035
11	LEVER, Park. Lock-Outer	4.045
12	NUT, Park. Lock & Range Selector (5/16"-18)	4.046
13	LEVER, Throttle Control Valve-Outer	4.050
14	NUT, Lever to Trans. (7/16"-20)	4.052
15	NUT, Rod to Lever (3/8"-16)	8.916
16	LOCKWASHER, Rod to Lever (3/8")	8.931
17	CLAMP, Control Rod (13/32" x 25/32")	4.037
18	SWIVEL, Control Rod (3/8"-16 x 1 1/2" Long)	4.037
19	SCREW, Support to Frame (5/16"-18 x 3/4")	8.977
20	SUPPORT ASM., Control Rod Idler Lever	4.040



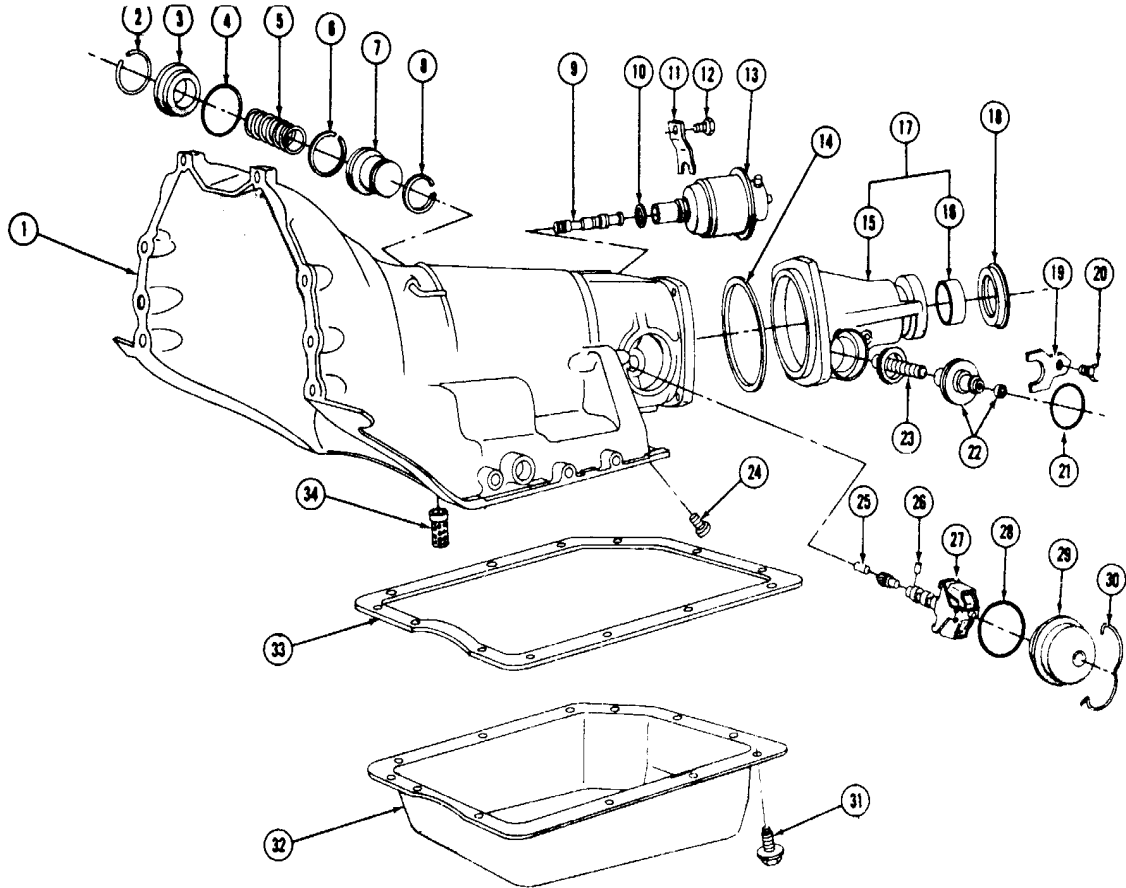
**1972-73 COLUMN SHIFT CONTROL**

Key	Part Name	Group No.
1	ROD, Trans. Control	4.035
2	SLEEVE, Shift Lever Bushing to Shift Tube Lever (5/16" I.D.)	4.037
3	GROMMET, Control Rod	4.037
4	RETAINER, Shift Control Rods	4.037
5	WASHER, Control Rod to Equal. Shaft	4.037
6	SCREW, Cont. Rod Swivel Idler Lever	4.037
7	LEVER, Control Rod Idler	4.040
8	LEVER, Parking Lock and Range Selector Actuator	4.040
9	NUT, Parking Lock and Range Selector Actuator Lever	4.046
10	LEVER, Throttle Valve Control Outer	4.045
11	NUT, Throttle Outer Lever to Trans.	N.S.
12	SPRING, Equalizer Shaft Anti-Rattle	4.042
13	SCREW, Brkt. to Frame (5/16"-18 x 3/4")	8.900
14	BRACKET, Control Rod Idler Lever	4.040
15	BUSHING, Equalizer Shaft Pivot	4.042
16	WASHER, Control Rod Idler Lever	4.037
17	CLAMP, Control Rod to Shift Levers Swivel	4.037



**6 CYL. TRANSMISSION OIL COOLER & VACUUM PIPES**

Key	Part Name	Group No.
1	PIPE, Carb. to Trans. Vacuum . . . . .	4.205
2	HOSE, Pipe to Vacuum Modulator & Carb. . . . .	8.962
3	PIPE ASM., Oil Cooler - Inlet . . . . .	4.128
4	PIPE ASM., Oil Cooler - Outlet . . . . .	4.128
5	BRACKET, Oil Cooler Pipes . . . . .	4.128
6	SCREW, Oil Cooler Pipe Clip to Bracket (5/16"-18 x 9/16") . . . . .	8.977
7	CLIP, Oil Cooler Pipes . . . . .	4.128
8	SPACER, Oil Cooler Pipes . . . . .	4.128
9	CONNECTOR, Oil Cooler Pipe to Case . . . . .	4.128

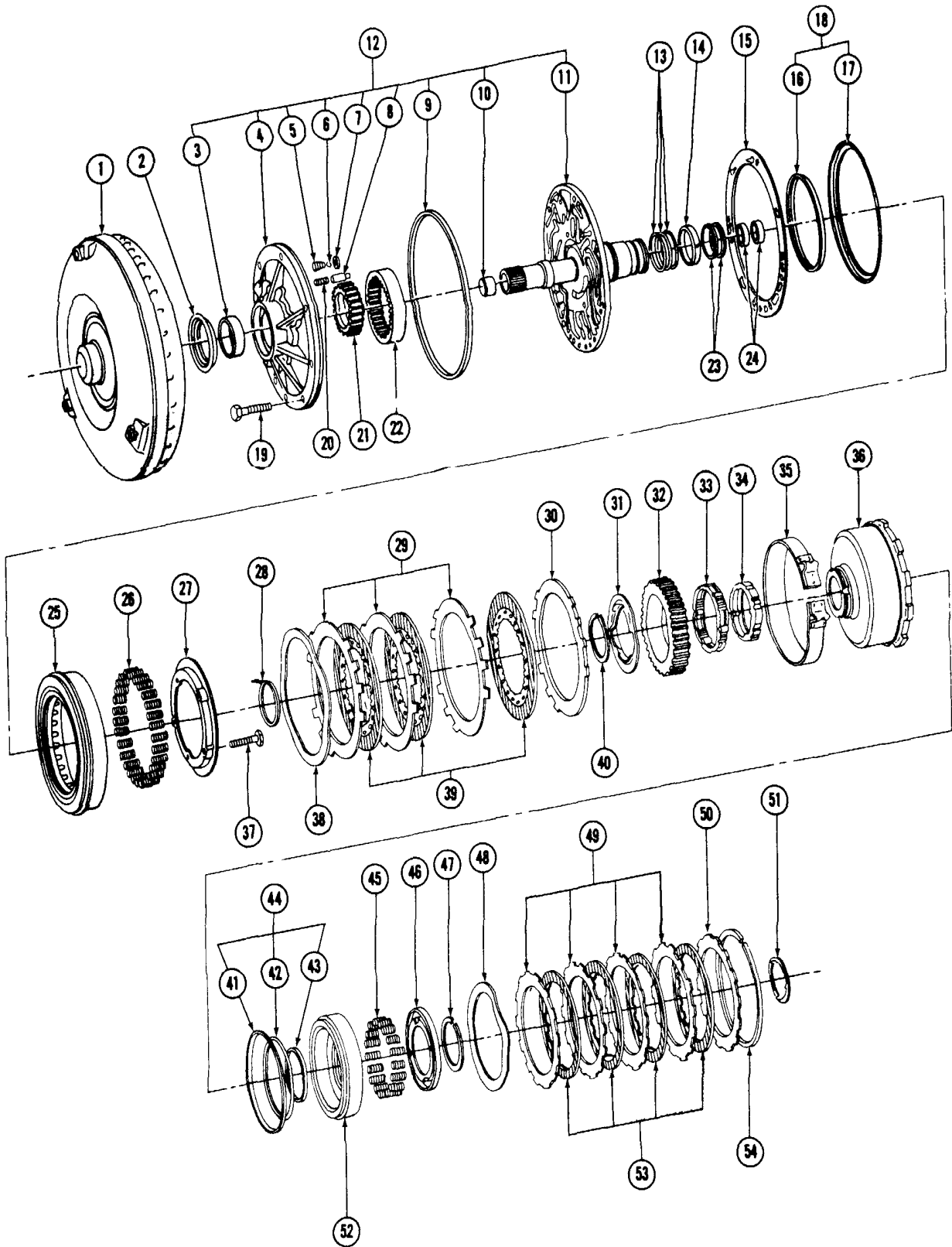


**TH350 TRANSMISSION  
CASE, EXTENSION, GOVERNOR AND INTERMEDIATE CLUTCH ACCUMULATOR**

Key	Description	Part No.	Qty.	Group
1	Case Assy.—Incl. Bushing	6261756	1	4.103
2	Retainer, Intermediate Clutch Accumulator Piston Cover	6260138	1	4.228
3	Cover, Intermediate Clutch Accumulator Piston	6261141	1	4.228
4	Seal, Intermediate Clutch Accumulator Piston Cover 1971-72	6261242	1	4.229
	Piston Cover 1973	338926	1	4.229
5	Spring, Intermediate Clutch Accumulator Piston —307 Eng.	6261333	1	4.229
6	Seal, Intermediate Clutch Accumulator Piston Outer Part of Key #7	—	—	N.S.S.
7	Piston, Intermediate Clutch Accumulator	See Data	1	4.228
8	Seal, Intermediate Clutch Accumulator Piston Inner Part of Key #7	—	—	N.S.S.
9	Valve, Vacuum Modulator	6261516	1	4.205
10	Seal, Vacuum Modulator to Case	8619568	1	4.205
11	Retainer, Vacuum Modulator to Case	—	1	4.205
12	Bolt, Vacuum Modulator to Case ( $\frac{5}{16}$ -18 x $\frac{1}{16}$ )	—	1	8.900
13	Modulator, Vacuum	3963812	1	4.205
14	Seal, Extension to Case	1358899	1	4.318
15	Extension, Case—N.S.S. Part of Key #17	—	—	—

Key	Description	Part No.	Qty.	Group
16	Bushing, Case Extension	—	1	4.319
17	Extension Assy., Case	6261369	1	4.317
18	Seal, Case Extension Oil	—	1	4.318
19	Retainer, Speedometer Driven Gear to Case	3708148	1	4.338
20	Bolt, Retainer to Case ( $\frac{1}{4}$ -20 x $\frac{5}{8}$ )	180018	1	8.900
21	Seal, Speedometer Driven Gear Fitting	—	1	4.338
22	Fitting & Seal, Speedometer Driven Gear	3869912	1	4.338
23	Gear, Speedometer Driven	See Data	1	4.337
24	Screen, Governor Pressure Hole	6261324	1	4.248
25	Pin, Dowel	—	1	8.939
26	Pin, Governor Weight —N.S.S. Part of Key #27	—	—	—
27	Governor Assy.	6261706	1	4.256
28	Seal, Governor Cover	6261341	1	4.256
29	Cover, Governor	6261067	1	4.256
30	Retainer, Governor Cover	6260040	1	4.256
31	Bolt ( $\frac{5}{16}$ -18 x $\frac{3}{4}$ ) With Washer ( $\frac{11}{32}$ I.D. x $\frac{11}{16}$ I.D. x $\frac{1}{8}$ Thick)	180077	AR	8.900
		120393	AR	8.929
32	Pan, Oil	6261647	1	4.195
33	Gasket, Oil Pan	6261649	1	4.196
34	Screen, Oil Pump Pressure Hole N.S.S.—Not Serviced Separately.	6261323	1	4.224





**TH350 TRANSMISSION  
CONVERTER, OIL PUMP, INTERMEDIATE CLUTCH AND DIRECT CLUTCH**



**TH350 TRANSMISSION**  
**CONVERTER, OIL PUMP, INTERMEDIATE CLUTCH AND DIRECT CLUTCH**

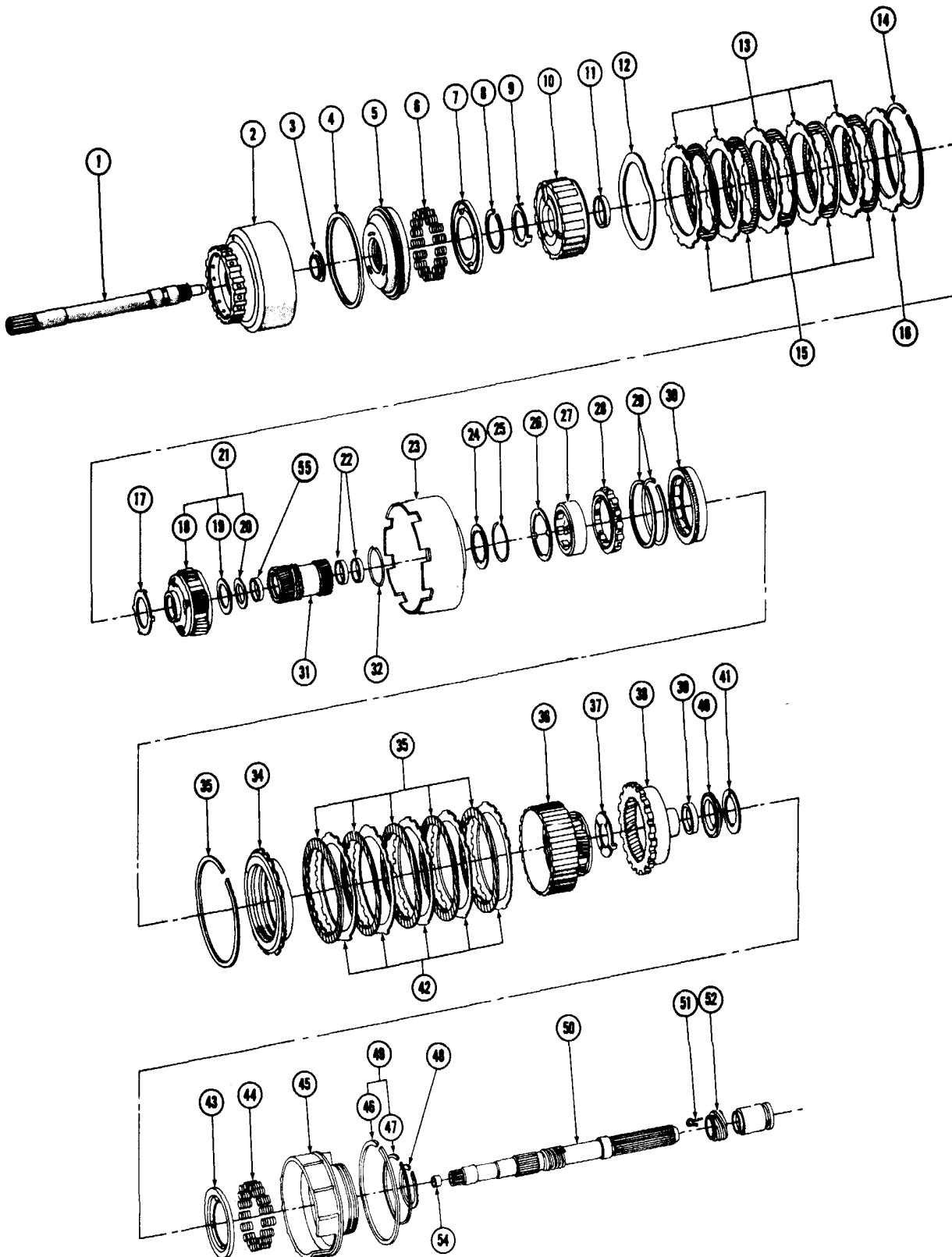
Key	Description	Part No.	Qty.	Group
1	Converter Assy., Torque—Rebuilt by G.M.	3948963	1	4.115
2	Seal, Oil Pump	6261413	1	4.226
3	Bushing, Oil Pump Body—N.S.S. Part of Key #12	—	—	—
4	Body, Oil Pump—N.S.S. Part of Key #12	—	—	—
5	Spring, Oil Pump Cooler By-pass Valve—N.S.S. Part of Key #12 & 55	—	—	—
6	Ball, Oil Pump Cooler By-pass Valve—N.S.S. Part of Key #12 & 55	—	—	—
7	Seat, Oil Pump Cooler By-pass Valve—N.S.S. Part of Key #12 & 55	—	—	—
8	Valve, Oil Pump Priming	3850849	1	4.203
9	Seal, Oil Pump to Case	6261413	1	4.226
10	Bushing, Oil Pump Stator Shaft—Front	1381366	1	4.226
11	Cover, Oil Pump—	6261704	1	4.224
12	Pump Assy., Oil—	—	—	—
13	Ring, Direct Clutch Drum Oil Sealing	6261746	3	4.169
14	Bushing, Direct Clutch Drum	6261026	1	4.169
15	Gasket, Oil Pump to Case	6261584	1	4.226
16	Seal, Intermediate Clutch Piston Inner—N.S.S. Part of Key #18	—	—	—
17	Seal, Intermediate Clutch Piston Outer—N.S.S. Part of Key #18	—	—	—
18	Seal Kit, Intermediate Clutch Piston	3947088	1	4.166
19	Bolt & Seal, Oil Pump to Case	6261374	AR	4.226
20	Spring, Oil Pump Priming Valve	3850850	1	4.203
21	Gear, Oil Pump Drive—N.S.S. Part of Key #12	—	—	—
22	Gear, Oil Pump Driven—N.S.S. Part of Key #12	—	—	—
23	Ring, Forward Clutch Housing Oil Sealing	6261570	2	4.169
24	Bushing, Oil Pump Stator Shaft—Rear	6261022	2	4.226
25	Piston, Intermediate Clutch—	*6261448	1	4.166
26	Spring, Intermediate Clutch Piston Return	6261024	30	4.164
27	Seat, Intermediate Clutch Piston Return Spring	6261111	1	4.164
28	Washer, Direct Clutch Drum Thrust Front—Selective	See Data	1	4.169
29	Plate, Intermediate Clutch Driven	@6261450	AR	4.163
30	Plate, Intermediate Clutch Pressure	6261010	1	4.163
31	Retainer, Intermediate Overrun Clutch	6261143	1	4.167
32	Race, Intermediate Overrun Clutch Outer	6261021	1	4.168
33	Clutch, Intermediate Overrun	6261298	1	4.164
34	Race, Intermediate Overrun Clutch Inner—N.S.S. Part of Key #36	—	—	—
35	Band, Brake	6261132	1	4.251
36	Drum Assy., Direct Clutch—Incl. Key #14	#6261404	1	4.169
37	Bolt, Pump Cover to Body (5/16-18 x 1 1/2, Mex. Lock)	—	AR	8.900
38	Spring, Intermediate Clutch Piston Cushion	6261309	1	4.164
39	Plate, Intermediate Clutch Drive	6261277	AR	4.163
40	Ring, Intermediate Overrun Clutch Retaining	6261038	1	4.168
41	Seal, Direct Clutch Piston Outer—N.S.S. Part of Key #44	—	—	—
42	Seal, Direct Clutch Piston Center—N.S.S. Part of Key #44	—	—	—
43	Seal, Direct Clutch Piston Inner—N.S.S. Part of Key #44	—	—	—
44	Seal Kit, Direct Clutch Piston	3947087	1	4.166
45	Spring, Direct Clutch Piston Return	6261025	17	4.164
46	Seat, Direct Clutch Piston Return Spring	6261011	1	4.164
47	Ring, Direct Clutch Piston Return Spring Seat Retaining	6261037	1	4.164
48	Spring, Direct Clutch Piston Cushion	—	1	4.164
49	Plate, Direct Clutch Driven	6261071	AR	4.163
50	Plate, Direct Clutch Pressure	6261072	1	4.163
51	Bearing, Direct Clutch Drum Rear Thrust	9428864	1	4.164
52	Piston, Direct Clutch—	6261622	1	4.166
53	Plate, Direct Clutch Drive	6261278	AR	4.163
54	Ring, Direct Clutch Pressure Plate Retaining	6261037	1	4.164
55	Valve Unit, Oil Cooler By-pass	3977543	1	4.216

N.S.S.—Not Serviced Separately.

\* --When replacing pistons stamped 6261043 or 6261044 discard the old intermediate clutch driven plates and install a comparable number of plate 6261450.

@--When using on models with part number 6261043 or 6261044 stamped on the inner side of intermediate clutch piston replace old piston with piston 6261448 or 6261449 respectively.

#--When using on models with a flat thrust washer between the direct clutch drum and the forward clutch housing discard the forward clutch housing and the washer and replace with housing 6261411 and bearing 9428864.

**TH350 TRANSMISSION****INPUT SHAFT, FORWARD CLUTCH, LOW AND REVERSE CLUTCH AND OUTPUT SHAFT**

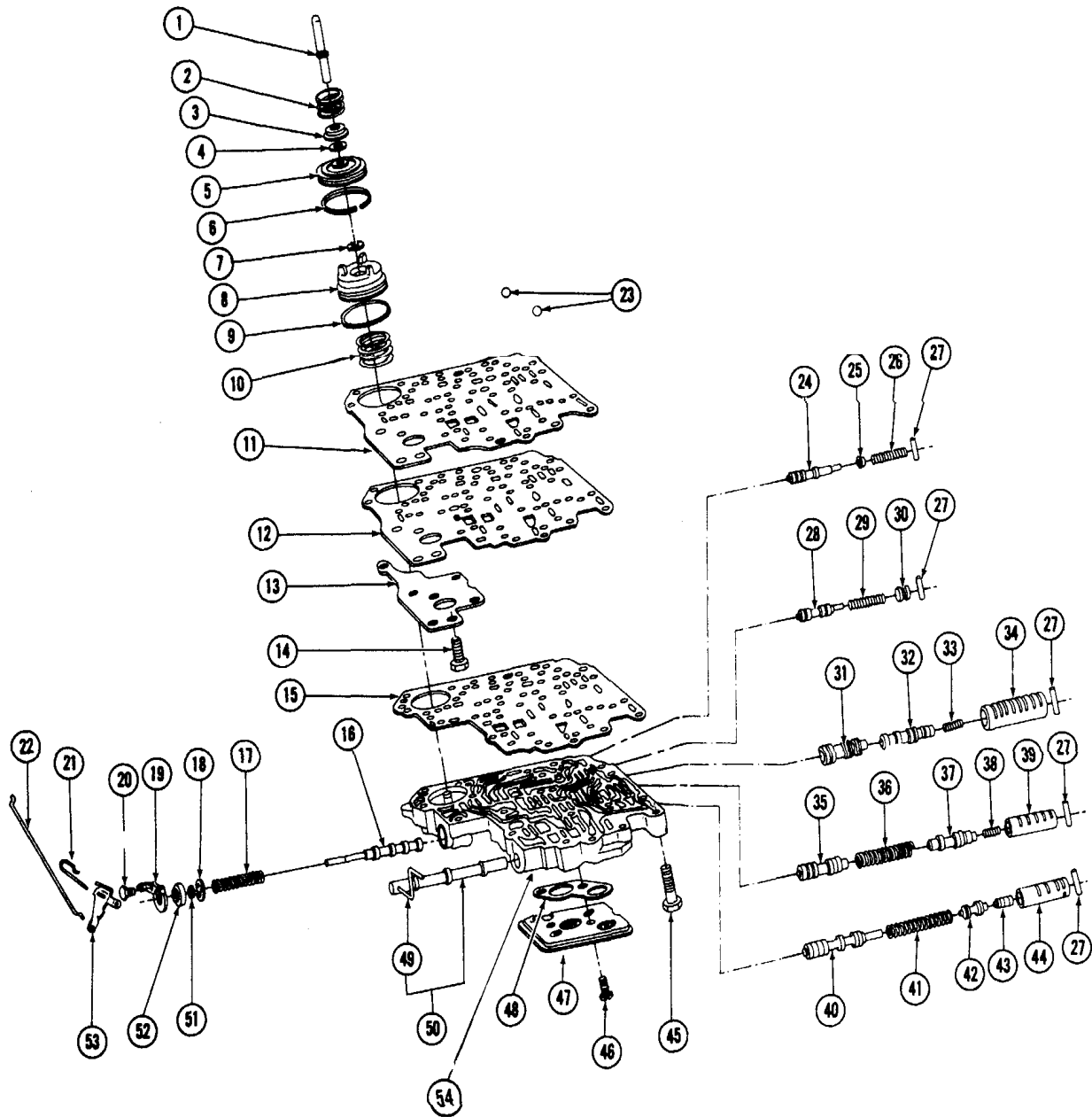
## TH350 TRANSMISSION

### INPUT SHAFT, FORWARD CLUTCH, LOW AND REVERSE CLUTCH AND OUTPUT SHAFT

Key	Description	Part No.	Qty.	Group
1	Shaft, Input—N.S.S. Part of Key #2	—	—	—
2	Housing & Shaft, Forward Clutch	*6260188	1	4.169
3	Seal, Forward Clutch Piston Inner—N.S.S. Part of Key #56	—	—	—
4	Seal, Forward Clutch Piston Outer—N.S.S. Part of Key #56	—	—	—
5	Piston, Forward Clutch	6261115	1	4.166
6	Spring, Forward Clutch Piston Return	6261025	21	4.164
7	Seat, Forward Clutch Piston Return Spring	6261011	1	4.164
8	Ring, Forward Clutch Piston Return Spring Seat Retainer	6261037	1	4.164
9	Washer, Input Ring Gear Thrust Front	6261027	1	4.176
10	Gear, Input Ring	6261401	1	4.158
11	Bushing, Input Ring Gear	6261029	1	4.176
12	Spring, Forward Clutch Piston Cushion	6261222	1	4.164
13	Plate, Forward Clutch Drive	6261071	AR	4.163
14	Ring, Forward Clutch Pressure Plate Retaining	6261048	1	4.164
15	Plate, Forward Clutch Driven	See Data	AR	4.163
16	Plate, Forward Clutch Pressure—245-.255 Thick	6261072	1	4.167
	—275-.285 Thick	6261349	1	4.167
	—306-.316 Thick	6261350	1	4.167
17	Washer, Input Ring Gear Support Thrust—To Output Carrier	6261333	1	4.158
18	Carrier, Output—N.S.S. Part of Key #21	—	—	—
19	Bearing, Sun Gear to Output Carrier—N.S.S. Part of Key #21	—	—	—
20	Race, Sun Gear to Output Carrier—N.S.S. Part of Key #21	—	—	—
21	Carrier Assy., Output	6261389	1	4.175
22	Bushing, Sun Gear	6261033	2	4.176
23	Shell, Sun Gear Drive	6261126	1	4.175
24	Washer, Sun Gear Shell Thrust Front	6261034	1	4.175
25	Ring, Sun Gear Shell Retaining	6261066	2	4.176
26	Washer, Sun Gear Shell Thrust Rear	6261184	1	4.176
27	Race, Low & Reverse Overrun Clutch	6261125	1	4.168
28	Clutch, Low & Reverse Overrun	6261305	1	4.180
29	Ring, Low & Reverse Overrun Clutch Retaining	6261051	2	4.180
30	Cam, Low & Reverse Overrun Clutch—N.S.S. Part of Key #34	—	—	—
31	Gear, Sun	6261169	1	4.159
32	Ring, Output Carrier Retaining	6261039	1	4.175
33	Ring, Low & Reverse Clutch Support to Case	6261416	1	4.180
34	Support Assy., Low & Reverse Clutch—Incl. Key #30	6261118	1	4.162
35	Plate, Low & Reverse Clutch Drive	3832386	AR	4.163
36	Carrier Assy., Reaction Planet	6261391	1	4.175
37	Washer, Output Ring Gear Front Thrust	6261124	1	4.176
38	Gear, Output Ring	6261275	1	4.187
39	Bushing, Case to Output Shaft	6261016	1	4.104
40	Bearing, Output Ring Gear Rear Thrust	9427759	1	4.176
41	Ring, Output Ring Gear Support	6261040	1	4.175
42	Plate, Low & Reverse Clutch Reaction	6260236	AR	4.163
43	Seat, Low & Reverse Clutch Piston Return Spring	6261098	1	4.164
44	Spring, Low & Reverse Clutch Piston Return	6271527	17	4.164
45	Piston, Low & Reverse Clutch	6261106	1	4.166
46	Seal, Low & Reverse Clutch Piston Outer—N.S.S. Part of Key #49	—	—	—
47	Seal, Low & Reverse Clutch Piston Inner—N.S.S. Part of Key #49	—	—	—
48	Ring, Low & Reverse Clutch Piston Return Spring Seat Retaining	6261041	1	4.164
49	Seal Kit, Low & Reverse Clutch Piston	3947089	1	4.166
50	Shaft, Output—1971-72	6260182	1	4.175
	—1973 6 Cyl. or 350 Eng.	1245379	1	4.175
	—1973 307 Eng.	6261395	1	4.175
51	Clip, Speedometer Drive Gear Retaining	6261353	1	4.343
52	Gear, Speedometer Drive	See Data	1	4.343
54	Bushing, Output Shaft	3789034	1	4.176
55	Bushing, Reaction Planet Carrier	6261033	1	4.176
56	Seal Kit, Forward Clutch Piston	3947086	1	4.166

N.S.S.—Not Serviced Separately.

\* —When using on models with a flat thrust washer between the direct clutch drum and the forward clutch housing discard the direct clutch drum and the washer and replace with drum 6260317 and bearing 9428864.



**TH350 TRANSMISSION  
VALVE BODY, INTERMEDIATE SERVO AND DIRECT CLUTCH ACCUMULATOR**

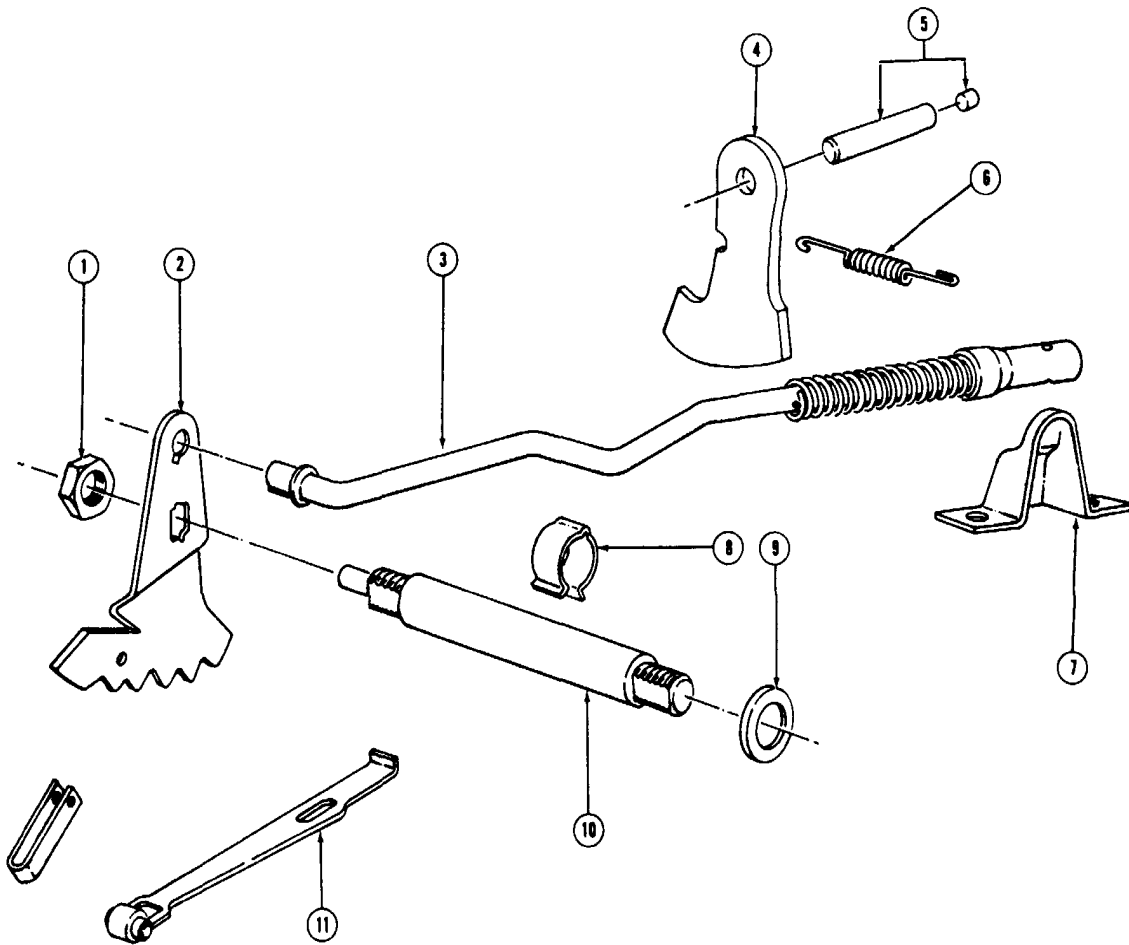


**TH350 TRANSMISSION**  
**VALVE BODY, INTERMEDIATE SERVO AND DIRECT CLUTCH ACCUMULATOR**

Key	Description	Part No.	Qty.	Group
1	Rod, Intermediate Servo Apply—2.845 in. Long	6261008	1	4.228
	—2.960 in. Long	6261009	1	4.228
2	Spring, Intermediate Servo Piston	6261229	1	4.233
3	Seat, Intermediate Servo Piston Spring	6261178	1	4.233
4	Washer, Intermediate Servo Piston	8623362	1	4.228
5	Piston, Intermediate Servo	6261177	1	4.228
6	Seal, Intermediate Servo Piston	6261151	1	4.229
7	Ring, Direct Clutch Accumulator Piston Retaining	6261322	1	4.229
8	Piston, Direct Clutch Accumulator	6261176	1	4.228
9	Seal, Direct Clutch Accumulator Piston	6261150	1	4.242
10	Spring, Direct Clutch Accumulator Piston—307 Engine	6261612	1	4.233
11	Gasket, Valve Body Spacer Plate—Between Case & Plate	6261676	1	4.265
12	Plate, Valve Body Spacer	6261679	1	4.265
13	Support, Valve Body Spacer Plate	6261195	1	4.265
14	Bolt, Valve Body Spacer Plate Support to Case ( $\frac{5}{16}$ -18 x $\frac{3}{4}$ )	—	AR	8.900
15	Gasket, Valve Body Spacer Plate—Between Body & Plate	6261678	1	4.265
16	*Valve, Detent	—	—	—
17	*Spring, Detent Valve	—	—	—
18	*Seat, Detent Valve Spring	—	—	—
19	Bracket, Detent Valve Actuating Lever	6261187	1	4.275
20	Bolt, Bracket to Valve Body ( $\frac{1}{4}$ -20 x $\frac{1}{16}$ )	—	1	8.900
21	Pin, Detent Valve Actuating Lever	6261288	1	4.275
22	Wire, Detent Valve Control	6261214	1	4.050
23	Ball, Check Valve	6261179	4	4.265
24	*Valve, Detent Regulator	—	—	—
25	*Seat, Detent Regulator Valve Spring	—	—	—
26	*Spring, Detent Regulator Valve	—	—	—
27	Pin, Valve Retaining	112496	AR	4.216
28	*Valve, Manual Low Control	—	—	—
29	*Spring, Manual Low Control Valve	—	—	—
30	Plug, Manual Low Control Valve	6261206	1	4.265
31	*Valve, 1-2 Shift	—	—	—
32	*Valve, 1-2 Shift Control	—	—	—
33	*Spring, 1-2 Shift Control Valve	—	—	—
34	*Sleeve, 1-2 Shift Control Valve	—	—	—
35	*Valve, 2-3 Shift	—	—	—
36	*Spring, 2-3 Shift Valve	—	—	—
37	*Valve, 2-3 Shift Control	—	—	—
38	*Spring, 2-3 Shift Control Valve	—	—	—
39	*Sleeve, 2-3 Shift Control Valve	—	—	—
40	*Valve, Pressure Regulator	—	—	—
41	*Spring, Pressure Regulator Valve	—	—	—
42	*Valve, Modulator & Reverse Boost	—	—	—
43	*Valve, Intermediate Boost	—	—	—
44	*Sleeve, Modulator & Reverse Boost Valve	—	—	—
45	Bolt, Valve Body to Case ( $\frac{5}{16}$ -18 x $1\frac{3}{4}$ )	—	AR	8.900
46	Bolt, Oil Pump Screen to Valve Body ( $\frac{1}{4}$ -20 x $\frac{3}{8}$ )	—	AR	8.900
47	Screen, Oil Pump	6438816	1	4.197
48	Gasket, Oil Pump Screen	6261235	1	4.197
49	Link, Manual Valve Control	6260155	1	4.265
50	Valve, Manual	1394763@	1	4.265
51	Ring, Detent Valve Spring Seat	9416094	1	8.934
52	*Stop, Detent Valve	—	—	—
53	Lever, Detent Valve Actuating	6261186	1	4.279
54	Body, Valve	See Data	1	4.265

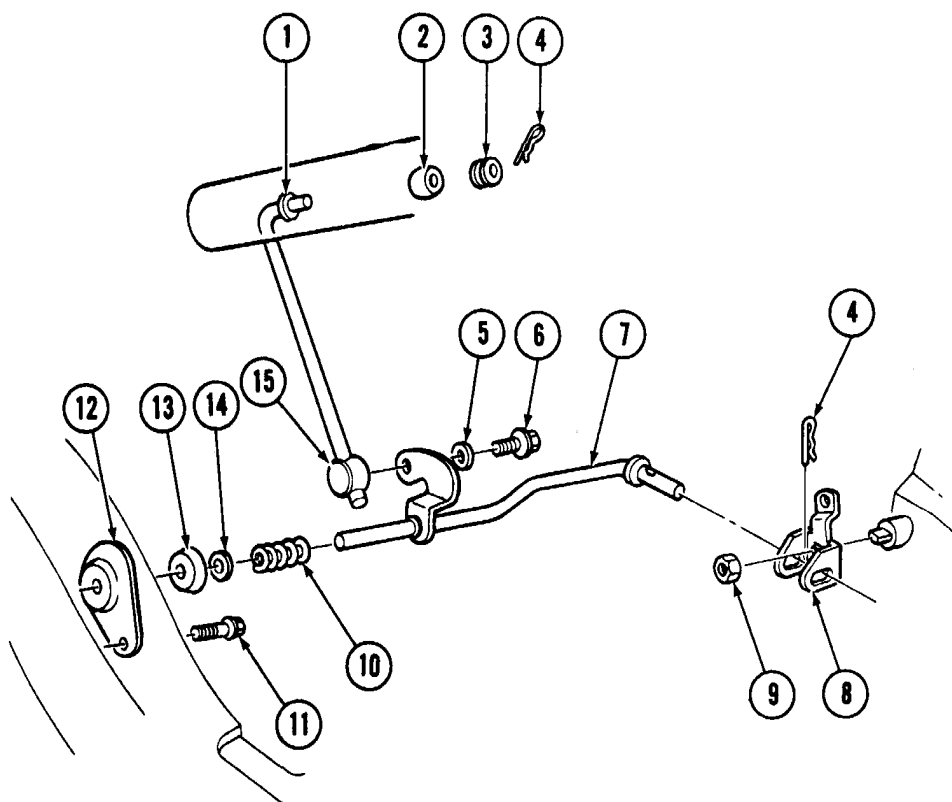
\* —Not serviced separately, serviced as part of the valve body Key #54.

@—Incl. Spring, Link, Valve and Lever.



**TH350 TRANSMISSION  
PARKING LOCK AND RANGE SELECTOR**

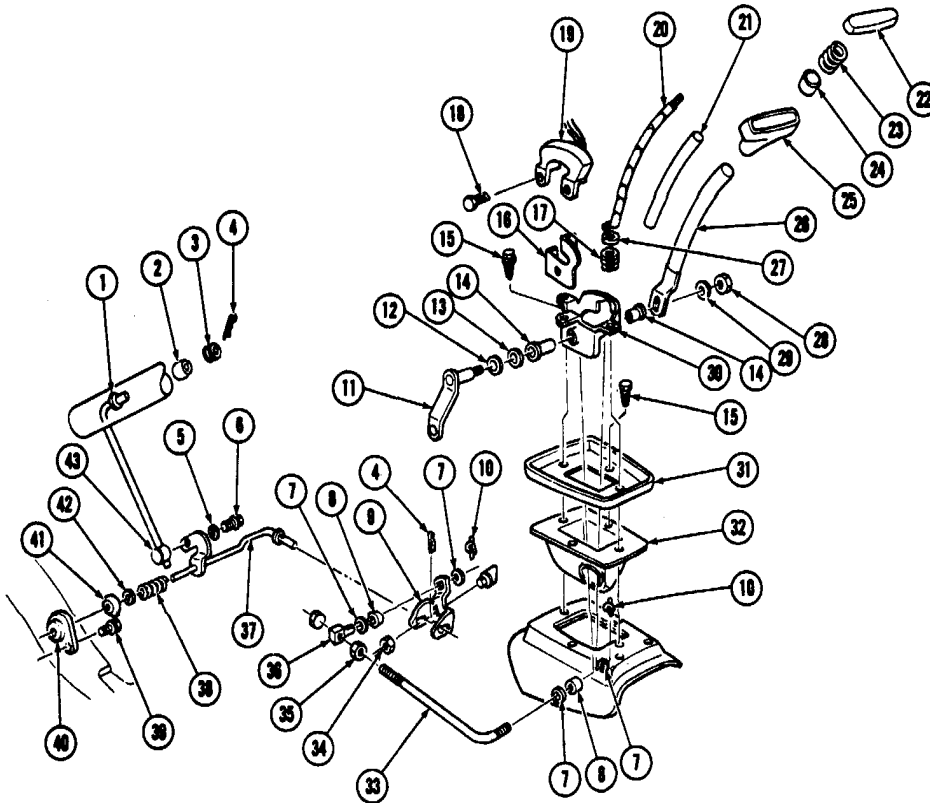
Key	Description	Description	Part No.	Qty.	Group
1	Nut, Selector Shaft to Lever (3/8-16)		—	1	8.916
2	Lever, Parking Lock & Range Selector Inner		330136	1	4.279
3	Actuator, Parking Lock		6260224	1	4.294
4	Pawl, Parking Lock		6261657	1	4.294
5	Shaft, Parking Lock Pawl — With Plug		3977619	1	4.294
6	Spring Parking Lock Pawl Return		6261528	1	4.295
7	Bracket, Parking Lock & Range Selector Shaft		1377861	1	4.290
8	Retainer, Parking Lock & Range Selector Shaft		6261347	1	4.290
9	Seal, Parking Lock & Range Selector Shaft		8623056	1	4.275
10	Shaft, Parking Lock & Range Selector		6260216	1	4.294
11	Spring, Detent		6260153	1	4.279



**1972-74 COLUMN SHIFT CONTROL**

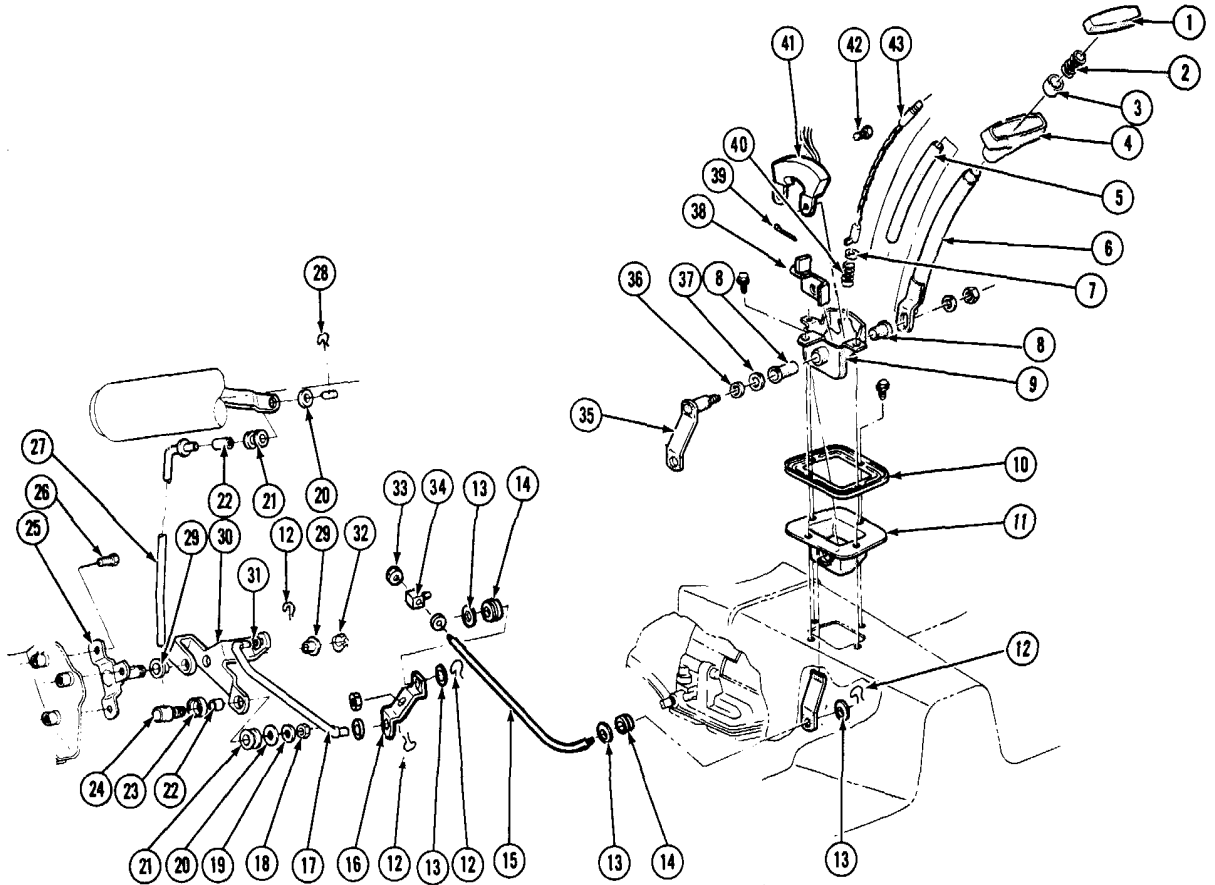
Key	Part Name	Group No.
1	ROD, Trans. Control	4.035
2	SLEEVE, Shift Lever Bushing to Shift Lever (5/16" I.D.)	4.037
3	GROMMET, Control Rod	4.037
4	RETAINER, Shift Control Rods	4.037
5	WASHER, Control Rod to Equalizer Shaft	4.037
6	SCREW, Control Rod Swivel Idler Lever	4.037
7	LEVER, Control Rod Lever	4.040
8	LEVER, Parking Lock and Range Selector Actuator	4.045
9	NUT, Parking Lock Lever to Trans.	4.046
10	SPRING, Equalizer Shaft Anti-Rattle	4.042
11	SCREW, Brkt. to Frame (5/16"-18 x 3/4")	8.900
12	BRACKET, Control Rod Idler Lever	4.040
13	BUSHING, Equalizer Shaft Pivot	4.042
14	WASHER, Control Rod Idler Lever	4.037
15	CLAMP, Control Rod to Shift Lever Swivel	4.037





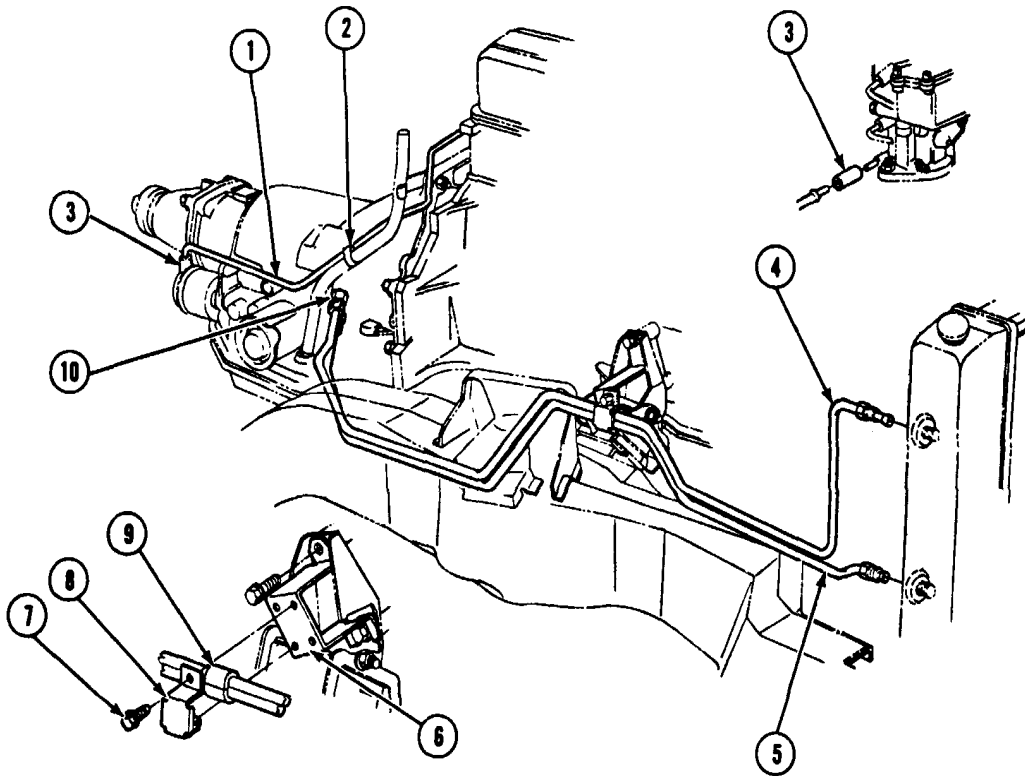
**1972-74 CONSOLE SHIFT CONTROL**

Key	Part Name	Group No.	Key	Part Name	Group No.
1	ROD, Trans. Control	4.035	23	SPRING, Control Lever Upper	4.008
2	SLEEVE, Shift Lever Bushing to Shift Tube Lever	4.037	24	NUT, Control Lever	4.008
3	GROMMET, Control Rod	4.040	25	HANDLE, Control Lever	4.006
4	RETAINER, Shift Control Rods	4.037	26	LEVER PKG., Control	4.006
5	WASHER, Control Rod to Equalizer Shaft	4.037	27	WASHER, Control Lever (3/16" I.D. x 15/16" O.D.)	4.008
6	SCREW, Control Rod Swivel Idler Lever	4.037	28	NUT, Lever to Bracket (5/16"-18")	8.916
7	WASHER, Rod to Levers	N.S.	29	WASHER, Lever to Bracket (5/16")	8.929
8	GROMMET, Rod to Range Selector Lever	4.040	30	BRACKET ASM., Lever	4.010
9	LEVER, Control Rod Idler	4.040	31	RETAINER, Control Lever & Bracket	4.015
10	RETAINER, Rod to Shift Levers	4.037	32	SEAL, Lever and Bracket	4.015
11	LEVER, Control Rod	4.040	33	ROD, Select Lever to Control Lever	4.035
12	WASHER, Control Lever (5/8" I.D. x 15/16" O.D. Wave)	4.037	34	NUT, Parking Lock and Range Selector Actuator Lever	S.S.
13	WASHER, Control Lever (5/8" I.D. x 1" O.D.)	4.008	35	NUT, Rod to Swivel (3/8"-16)	8.916
14	BUSHING, Control Lever	4.008	36	SWIVEL, Control Rod to Lever Bracket	4.037
15	SCREW, Lever Bracket to Console	8.900	37	LEVER, Control Rod Idler	4.040
16	LEVER, Neutralizer Switch	4.054	38	SPRING, Equalizer Shaft Anti-Rattle	4.042
17	SPRING, Control Lever Lower	4.008	39	SCREW, Brkt. to Frame (15/16"-18 x 3/4")	8.900
18	SCREW, Switch to Bracket (#10-24 x 5/16")	N.S.		Brkt. to Frame	8.900
19	SWITCH, Trans. Neutralizer	4.054	40	BRACKET, Control Rod Idler Lever	4.040
20	ROD, Lever Release	4.008	41	BUSHING, Equalizer Shaft Pivot	4.042
21	SLEEVE, Lever Release Rod	4.008	42	WASHER, Control Rod Idler Lever	4.037
22	BUTTON, Control Lever	4.006	43	CLAMP, Control Rod to Shift Levers Swivel	4.037



### A.T. FLOOR SHIFT CONTROL

Key	Part Name	Group No.	Key	Part Name	Group No.
1	BUTTON, Control Lever	4.006	23	CLAMP, Control Rod (13/32" x 25/32")	S.S.
2	SPRING, Control Lever-Upper	4.008	24	SWIVEL, Control Rod (3/8"-16 x 1 1/2" Long)	4.037
3	NUT, Control Lever	4.008	25	SUPPORT, Rod Idler Lever	4.040
4	HANDLE, Control Lever	4.006	26	SCREW, Support to Frame (5/16"-18 x 3/4")	8.977
5	SLEEVE, Lever Release Rod	4.008	27	ROD, Gearshift Control-Upper	4.035
6	LEVER PKG., Control	4.006	28	RETAINER, Control Rods	4.037
7	WASHER, Control Lever (3/16" I.D. x 15/32" O.D.)	4.019	29	BUSHING, Idler Lever to Supt.	4.042
8	BUSHING, Control Lever	4.037	30	LEVER, Rod Idler	4.040
9	BRACKET ASM., Lever	4.010	31	SPRING WASHER, Rod to Lever	N.S.
10	RETAINER, Control Lever & Brkt.	4.015	32	LOCK, Idler Lever	4.042
11	SEAL, Lever & Bracket	4.015	33	NUT, Rod to Swivel (3/8"-16)	8.916
12	CLIP, Rod to Shift Levers	4.037	34	SWIVEL, Control Rod to Lever Brkt.	4.037
13	WASHER, Rod to Levers	N.S.	35	LEVER, Control Rod	4.040
14	GROMMET, Rod to Range Selector Lever	4.037	36	WASHER, Control Lever (5/8" I.D. x 15/16" O.D. Wave)	4.037
15	ROD, Select Lever to Control Lever	4.035	37	WASHER, Control Lever (5/8" I.D. x 1" O.D.)	4.008
16	LEVER, Park Lock & Range Selector Actuator	4.045	38	LEVER, Neutralizer Switch	4.054
17	ROD, Gearshift Control-Lower	4.035	39	COTTER PIN, Spring Ret. (3/4" x 1/16")	N.S.
18	NUT, Rod to Lever (3/8"-16)	8.916	40	SPRING, Control Lever Lower	4.008
19	LOCKWASHER, Rod to Lever (3/8")	8.931	41	SWITCH, Trans. Neutralizer	4.054
20	WASHER, Control Rod (13/32" I.D. x 3/4" O.D. x 1/32")	4.037	42	SCREW, Switch to Bracket (#10-24 x 5/16")	N.S.
21	GROMMET, Rod to Cross Shaft	4.037	43	ROD ASM., Lever Release	4.008
22	BUSHING, Control Rod (3/8" I.D. x 1/2" O.D.)	4.037			



**6 CYL. TRANSMISSION OIL COOLER & VACUUM PIPES**

Key	Part Name	Group No.
1	— PIPE, Carb. to Trans. Vacuum . . . . .	4.205
2	— CLIP, Vacuum Pipe to Trans. Filler Pipe . . . . .	4.205
3	— HOSE, Pipe to Vacuum Modulator & Carb. . . . .	8.962
4	— PIPE ASM., Oil Cooler - Inlet . . . . .	4.128
5	— PIPE ASM., Oil Cooler - Outlet . . . . .	4.128
6	— BRACKET, Oil Cooler Pipes . . . . .	4.128
7	— SCREW, Oil Cooler Pipe Clip to Bracket (5/16"-18 x 9/16") . . . . .	8.977
8	— CLIP, Oil Cooler Pipes . . . . .	4.128
9	— SPACER, Oil Cooler Pipes . . . . .	4.128
10	— CONNECTOR, Oil Cooler Pipe to Case . . . . .	4.128