



VENTURA
PARTS CATALOGUE

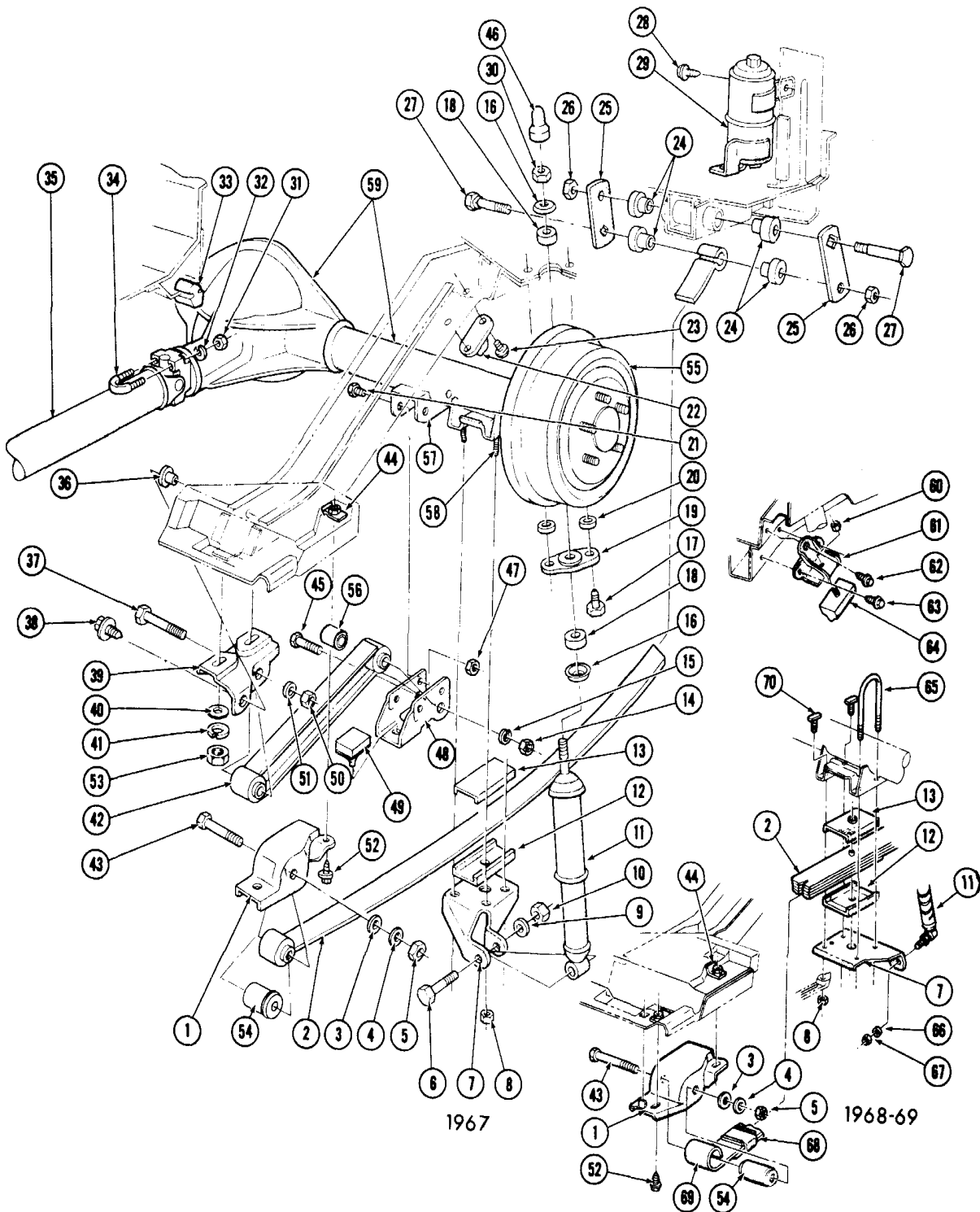
GROUP 7.000

FRAME—SPRINGS

BUMPER



VENTURA II PARTS CATALOGUE



REAR SUSPENSION (TYPICAL)



VENTURA II PARTS CATALOGUE

Key	Part Name	Group No.	Key	Part Name	Group No.
1	BRACKET, Rear Spring Front Eye	7.526	35	PROPELLER SHAFT ASM.	5.441
2	SPRING, Rear - Leaf	7.503	36	NUT, Rear Axle Radius Rod Brkt. to Body Side Rail	5.418
3	WASHER, Rear Spring Front Eye (17/32" I.D. x 15/16" O.D.)	7.518	37	BOLT, Rear Axle Radius Rod to Bracket (9/16"-18 x 3 1/4" - 300M)	5.418
4	WASHER, Rear Spring Front Eye - Lock (1/2" Heavy)	8.931	38	SCREW, Rear Axle Radius Rod Brkt. to Body Side Rail (3/8"-16 x 1 1/4" Washer Hd.)	8.977
5	NUT, Rear Spring Front Eye Bolt (1/2"-20)	8.915	39	BRACKET, Rear Axle Radius Rod Body	5.418
6	BOLT, Rear Shock Absorber - Lower (7/16"-14 x 2 1/2" Hex - 280M)	8.900	40	WASHER, Radius Rod to Body Stud	5.418
7	PLATE, Rear Spring and Shock Absorber Anchor	7.518	41	LOCKWASHER, Radius Rod to Body Bracket (3/8" Med.)	N.S.
8	NUT, Rear Spring and Shock Absorber Anchor Plate	7.516	42	ROD & BUSHING ASM., Rear Axle Radius	5.415
9	LOCKWASHER, Rear Shock Absorber Lower (7/16" Heavy)	8.931	43	BOLT, Rear Spring Front Eye (1/2"-20 x 5")	8.900
10	NUT, Rear Shock Absorber Lower (7/16"-14 - 286M)	8.915	44	NUT, Rear Spring Front Eye Bracket	7.529
11	SHOCK ABSORBER ASM., Rear	7.345	45	BOLT, Rear Axle Radius Rod to Body Brkt. (5/8"-18 x 3 1/2" - 300M)	5.418
12	CUSHION, Rear Spring - Lower	7.545	46	CAP, Rear Shock Absorber (37 Styles)	7.346
13	CUSHION, Rear Spring - Upper	7.545	47	NUT, Radius Rod Brkt. to Axle Brkt. Bolt (1/2"-13 - 300M)	8.917
14	NUT, Rear Spring Radius Rod Bolt (5/8"-18 - 286M)	8.917	48	BRACKET, Rear Axle Radius Rod to Axle Mtg.	5.418
15	LOCKWASHER, Rear Spring Radius Rod Bolt (5/8" Heavy)	8.931	49	BUMPER, Rear Axle Radius Rod	5.395
16	RETAINER, Rear Shock Absorber Grommet	7.377	50	NUT, Rear Axle Radius Rod to Mtg. Brkt. Bolt (9/16"-18 - 288M)	8.917
17	SCREW, Rear Shock Absorber Bracket to Pan (5/16"-18 x 7/8" Hex Med. Tapping)	8.977	51	LOCKWASHER, Axle Radius Rod to Mtg. Brkt. Bolt (9/16" Heavy)	8.931
	WASHER, Lock (5/16" Std.)	8.931	52	SCREW, Rear Spring Front Eye Bracket (3/8"-16 x 1 1/4" Hex Washer Hd.)	8.977
18	GROMMET, Rear Shock Absorber	7.345	53	NUT, Radius Rod Body Bracket (3/8"-16 - 286M)	8.917
19	BRACKET ASM., Rear Shock Absorber to Pan	7.242	54	BUSHING ASM., Rear Spring - Front	7.524
20	WASHER, Rear Shock Absorber Bracket Bolt Sealing	7.245	55	DRUM ASM., Rear Wheel Brake	5.809
21	BOLT, Radius Rod Mtg. Bracket to Axle Bracket (1/2"-13 x 1" - 300M)	8.900	56	BUSHING ASM., Radius Rod-Rear	5.417
22	BUMPER ASM., Rear Spring	7.535	57	BRACKET, Radius Rod Axle Tube	5.418
23	SCREW, Rear Spring Bumper Mtg. (5/16"-18 x 3/4" Tapping)	8.977	58	BOLT, Rear Spring Seat	7.529
24	BUSHING, Rear Spring Shackle (▲▲)	7.524	59	CARRIER, CAPS & TUBES ASM., Differential	5.387
25	SHACKLE, Rear Spring (▲▲) Lock	N.S.	60	NUT, Axle Bumper to Bracket (3/8"-16)	8.917
26	NUT, Rear Spring Shackle Pin (7/16"-20 - 286M) (▲▲)	8.917	61	BRACKET, Rear Axle Bumper	7.535
27	PIN, Rear Spring Shackle (▲▲)	N.S.	62	SCREW, Axle Bumper Brkt. to Frame (3/8"-16 x 1 1/2")	8.977
28	SCREW, Rear Body Dampener and Bracket (3/8"-16 x 13/16" Tapping)	8.977	63	SCREW, Axle Bumper Brkt. to Frame (3/8"-16 x 1 1/8")	8.977
29	DAMPENER AND BRACKET ASM., Body - Rear (67 Styles)	9.007	64	BUMPER ASM., Rear Axle Compression	7.535
30	NUT, Rear Shock Absorber	7.395	65	"U" BOLT, Rear Spring and Shock Anchor (7/16"-20)	7.516
31	NUT, Propeller Shaft to Rear Axle Pinion Flange Clamp (5/16"-18)	8.915	66	LOCKWASHER, Rear Shock Absorber Lower (1/2" Med.)	8.931
32	LOCKWASHER, Propeller Shaft to Rear Axle Pinion Flange Clamp (5/16" Med.)	8.931	67	NUT, Rear Shock Absorber Lower (1/2"-20)	8.915
33	BUMPER, Rear Axle	5.395	68	CLIP PKG., Rear Spring	7.513
34	"U" BOLT, Rear Companion Flange	5.586	69	LEAF ASM., Rear Spring Main	7.503
			70	"T" BOLT, Rear Spring and Shock Anchor (7/16"-20 x 1 5/16")	7.516

(▲▲) REPAIR KIT-7.523

REAR SUSPENSION (TYPICAL)



1971-72 SPRING CHART

Application	Std. Suspension		H.D. Suspension	
	Front	Rear	Front	Rear
6 Cyl.	3955720	3962778	—	—
8 Cyl. Exc. AC	3955720	3962778	3955720	3955740
8 Cyl. With AC Exc. TH350	3955722	3962778	3955722	3955740



Follow the three steps below to utilize the 1973 Spring Charts.

1. Select the model desired with the base sprung weight on Chart "A".
2. Then select options accordingly shown on Chart "B" and add that weight to the base sprung weight.
3. Once accumulated weight has been determined refer to Chart "C" and select correct spring.

CHART "A"

1973

MODEL	BASE SPRUNG WEIGHT	
	FRONT	REAR
2XY17 Ventura 2 Dr. Hatchback Coupe (6 Cyl.)	725	655
2XY27 Ventura 2 Dr. Cpe. (6 Cyl.)	730	596
2XY69 Ventura 4 Dr. Sed. (6 Cyl.)	743	613

CHART "B"

1973

RPO OPTIONS	FRONT	REAR
A51 Bucket Seats	5.5	5.5
CF1 Vinyl Folding Sun Roof	4.0	4.0
C60 Air Conditioning	49.5	4.5
D55 Floor Console (w/M38)	3.0	1.0
J50, JL2 Power Brakes	4.5	1.0
L14 307 2 B.C. Engine	54.0	13.5
L30 350 2 B.C. Engine	104.0	2.0
M20 4 Speed Manual Transmission	5.0	2.5
M38 Hydramatic Transmission	10.0	4.5
N10 Dual Exhaust	3.5	10.0
N41 Power Steering	16.0	0
U69 Radio	3.5	1.0
Y90 Custom Trim	8.0	8.0

CHART "C"

1973

FRONT SPRINGS

MODELS	PROD. CODE	SPRUNG WEIGHT	SERVICE CODE
All 6 Cyl.	KA, KD, KE	All	KD
All 8 Cyl. (307, 350)	KN, KS	0-885	KS
	KS	849-885	KS
	MZ, MR, MS	886-Over	KZ

KD	6272865	KS	6272874	KZ	334459
----	---------	----	---------	----	--------

1973

REAR SPRINGS

MODELS	PROD. CODE	SPRUNG WEIGHT	SERVICE CODE
All 6 or 8 Cyl.	RA, RB	0-618	RB
	RC	619-668	RC
	RT	669-Over	RT

RB	6272840	RC	6272841	RT	337230
----	---------	----	---------	----	--------



**VENTURA II
PARTS CATALOGUE**

Follow the three steps below to utilize the 1974 Spring Charts.

1. Select the model desired with the base sprung weight on Chart "A".
2. Then select options accordingly shown on Chart "B" and add that weight to the base sprung weight.
3. Once accumulated weight has been determined refer to Chart "C" and select correct spring.

CHART "A"

1974

MODELS		BASE SPRUNG WEIGHT	
		FRONT	REAR
2XY17	Ventura 2 Dr. Hatchback Cpe. (6 Cyl.)	747	674
2XY27	Ventura 2 Dr. Cpe. (6 Cyl.)	767	615
2XY69	Ventura 4 Dr. Sed. (6 Cyl.)	766	629

CHART "B"

1974

R.P.O. OPTION WEIGHTS		FRONT	REAR
C60	Air Conditioning	49.0	4.0
D55	Floor Console	2.0	1.0
J50	Power Brakes	4.5	1.0
L30	350 2 B.C. Engine	106.5	8.0
L76	350 4 B.C. Engine	109.0	8.0
M20	4 Speed Manual Transmission	2.0	1.0
M38	Hydramatic Transmission	10.0	4.5
N82	California Emission System	6.5	0.0
N10	Dual Exhaust	2.5	5.5
N41	Power Steering	16.0	0.0
U69	Radio	3.5	.5
WX3	Shaker Hood	3.0	0.0

CHART "C"

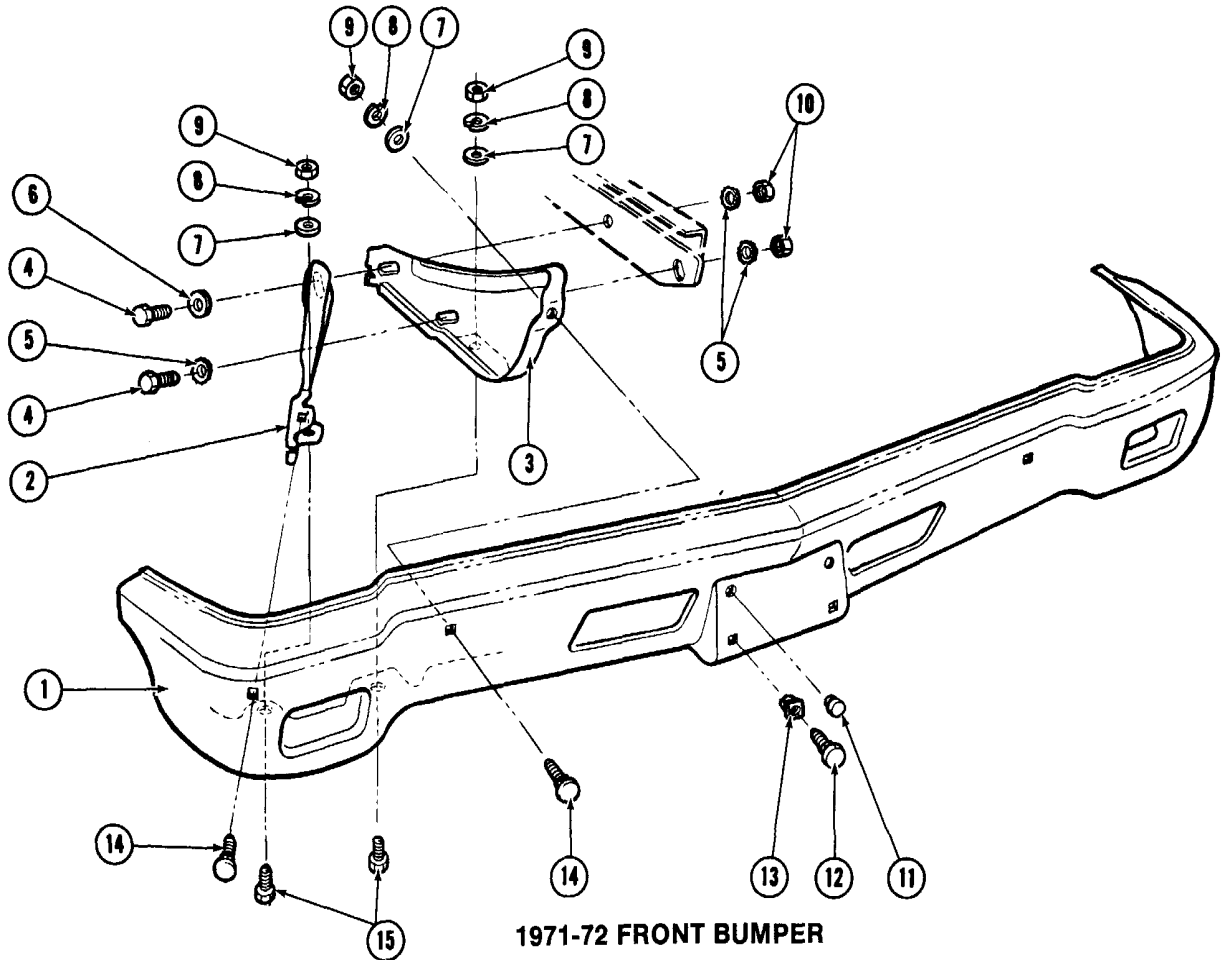
1974

FRONT SPRINGS

MODELS	SPRUNG WEIGHT	PART NO.
2XY17, 27, 69	0-862	6272865
	863-915	6272872
	916-980	6272874
	981-1020	334459
	1021-Over	334461

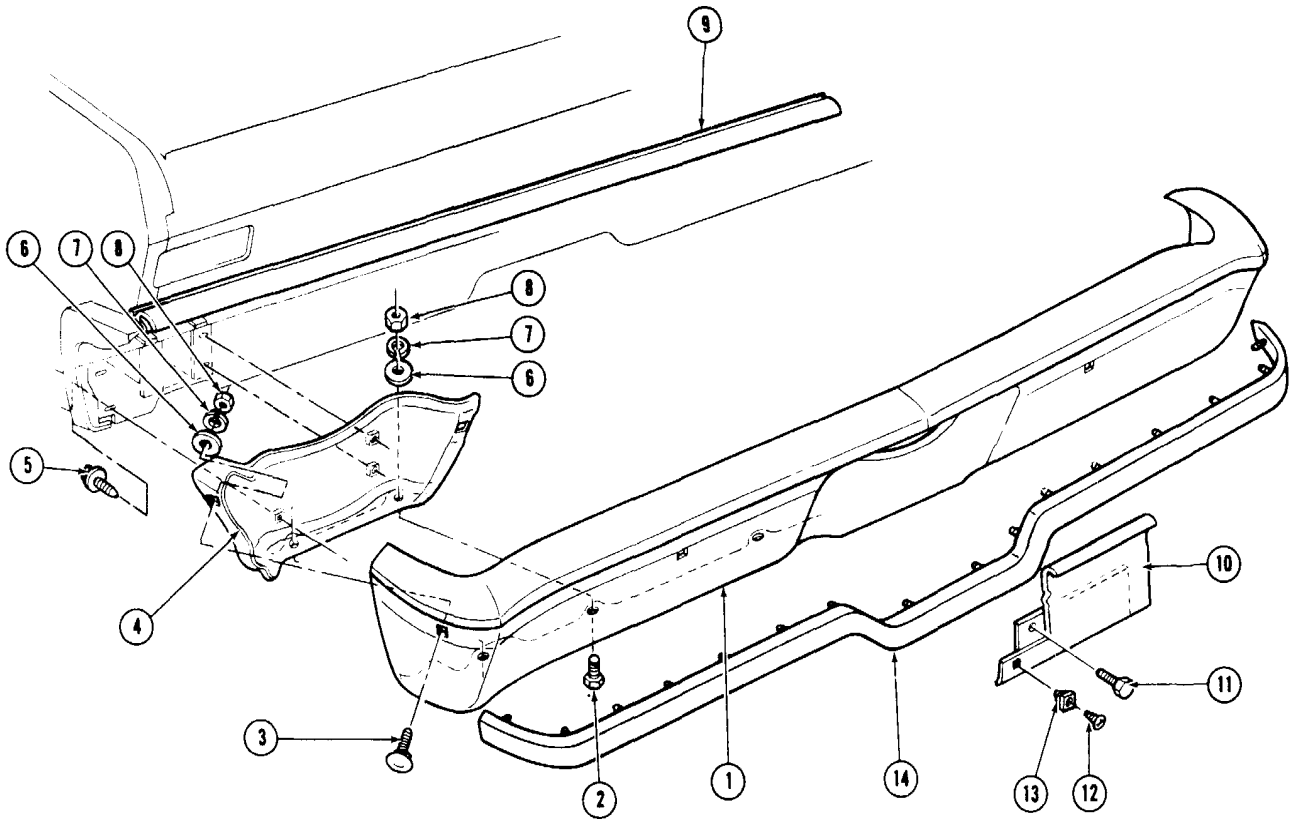
REAR SPRING

MODELS	SPRUNG WEIGHT	PART NO.
2XY17, 27, 69	0-860	340510
	851-Over	340507



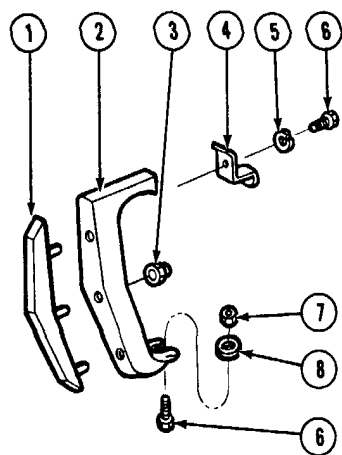
1971-72 FRONT BUMPER

Key	Part Name	Part No.	Group No.
1	BAR, Front Bumper	483800	7.831
2	BRACE, Bumper - R.H.	484200	7.836
	BRACE, Bumper - L.H.	484201	7.836
3	BRACKET, Bumper - R.H.	484198	7.869
	BRACKET, Bumper - L.H.	484199	7.869
4	BOLT (1/2"-13 x 1 1/2")	427566	8.900
5	WASHER, Bumper Adjustment	1362249	7.865
6	WASHER (17/32" I.D. x 1" O.D.)	-	N.S.
7	WASHER (7/16" I.D. x 7/8" O.D.)	-	N.S.
8	LOCKWASHER (7/16" Ext. Tooth)	136857	8.932
9	NUT (7/16"-14)	9424985	8.915
10	NUT (1/2"-13)	9414511	8.916
11	BUMPER, License Plate	517850	7.800
12	SCREW (#14-10 x 5/8")	149501	8.977
13	NUT, License Mtg.	3877254	7.800
14	BOLT (7/16"-14 x 1" - Capped)	9425343	8.902
15	BOLT (7/16"-14 x 1")	454944	8.900



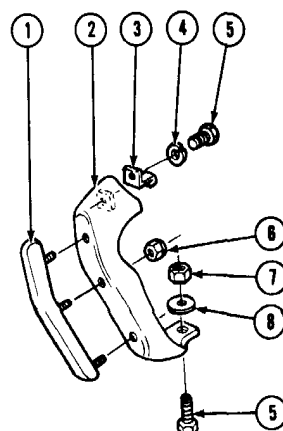
1971-73 REAR BUMPER

Key	Part Name	Part No. 1971-72	Part No. 1973	Group No.
1	BAR, Rear Bumper (Less Rub Strip Holes)	3903515	6274306	7.831
	BAR, Rear Bumper (With Rub Strip Holes)		6274322	
2	BOLT (7/16"-14 x 1")	454944	454944	8.900
3	BOLT (7/16"-14 x 1")	9425343	9425343	8.902
4	BRACKET, Bumper - R.H.	3916602	327504	7.869
	BRACKET, Bumper - L.H.	3916601	327503	7.869
5	BOLT (3/8"-16 x 1 1/8")	-	-	N.S.
6	WASHER (7/16" I.D. x 7/8" O.D.)	-	-	N.S.
7	LOCKWASHER (7/16" Ext. Tooth)	136857	136857	8.932
8	NUT (7/16"-14)	9424985	9424985	8.915
9	SEAL, Bar to Body	3938680	492051	7.833
10	DOOR ASM., Fuel Tank	3913608	3962910	12.945
11	BOLT (1/4"-20 x 5/8")	180018	180018	8.900
12	SCREW, Plate Attaching	-	-	N.S.
13	NUT, Plate Mounting	3877254	3877254	7.800
14	INSERT ASM, Bumper-Rear		327573	7.831



"X" CAR

FRONT

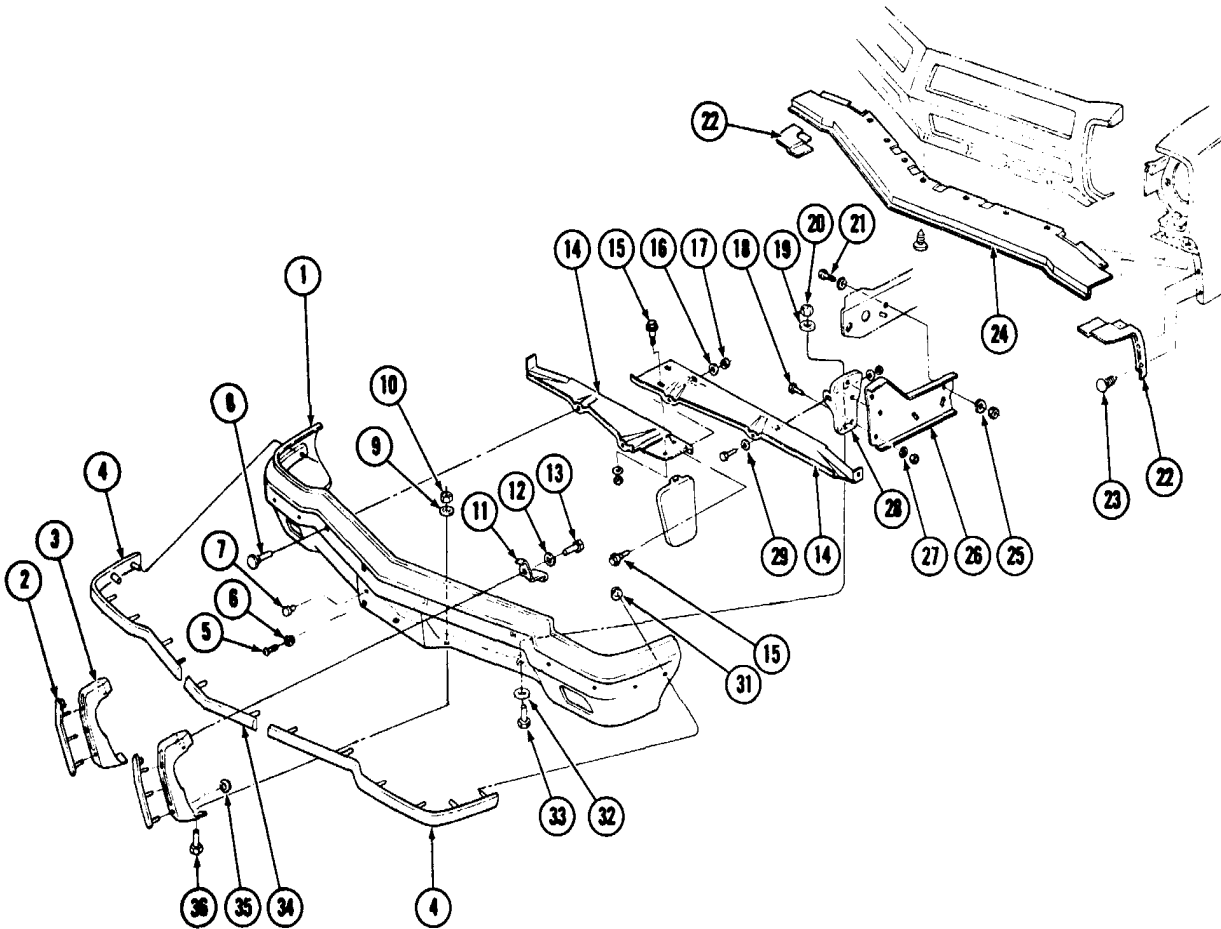


"X" CAR

REAR

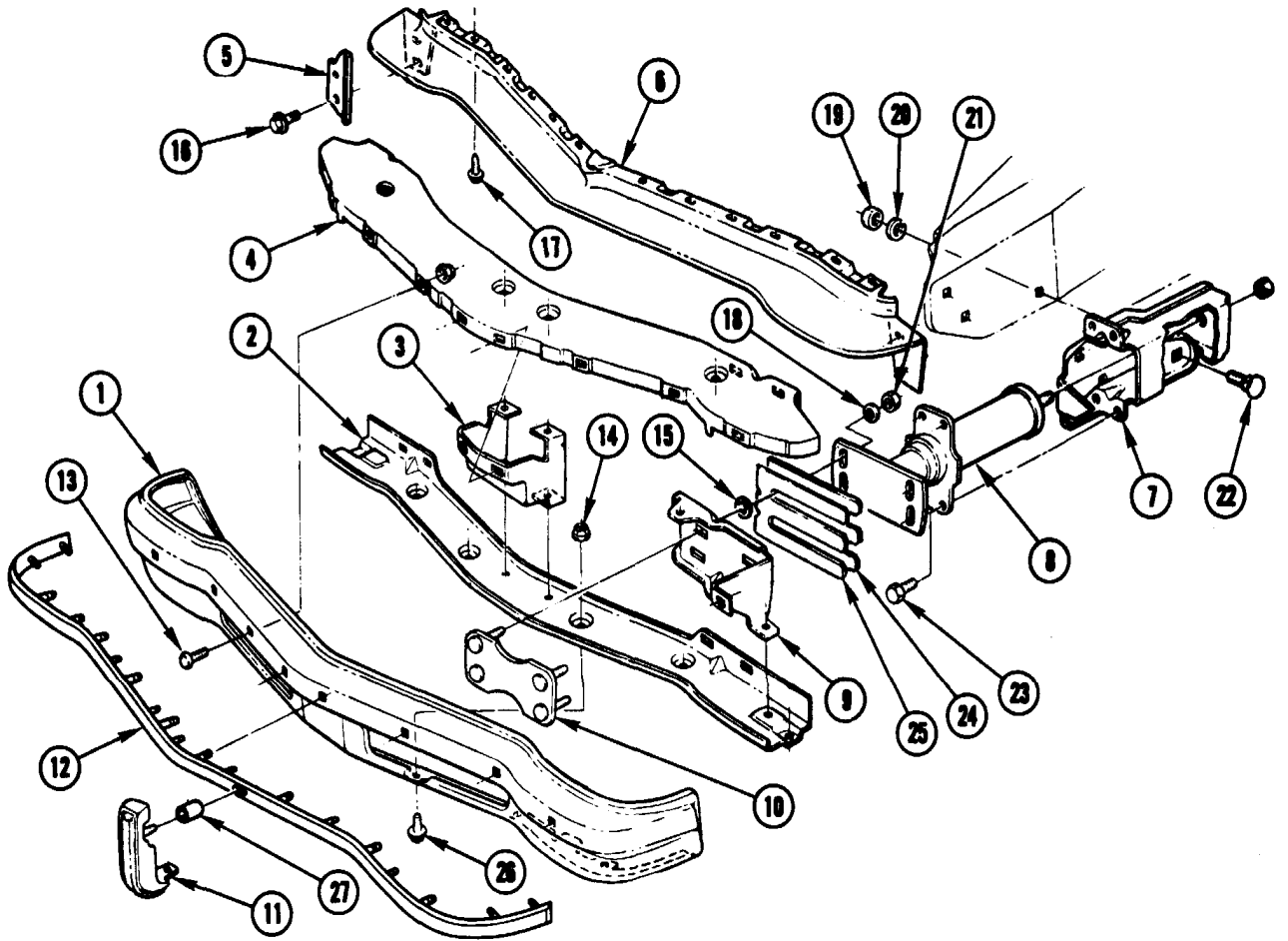
1971-73 BUMPER GUARDS

Key	Group No.	Part No.	Description
1	7.828	3916650	FRONT, CUSHION ASM.
	7.828	3916640	REAR, CUSHION ASM.
2	7.828	484315	FRONT RIGHT, GUARD ASM.
	7.828	484316	LEFT, GUARD ASM.
	7.828	3916636	REAR RIGHT, GUARD ASM.
	7.828	3916635	LEFT, GUARD ASM.
3	8.915	120361	NUT (#10-24)
4	7.824	484900	FRONT RIGHT, CLAMP
	7.824	484901	LEFT, CLAMP
	7.824	3916641	REAR, CLAMP
5	8.931	120368	LOCKWASHER, ($\frac{5}{16}$)
6	8.900	443899	BOLT, ($\frac{5}{16}$ - 18 x $\frac{7}{8}$)
7	8.915	120376	NUT, ($\frac{5}{16}$ x 18)
8	8.929	120386	WASHER, ($\frac{5}{16}$ x $\frac{3}{4}$)



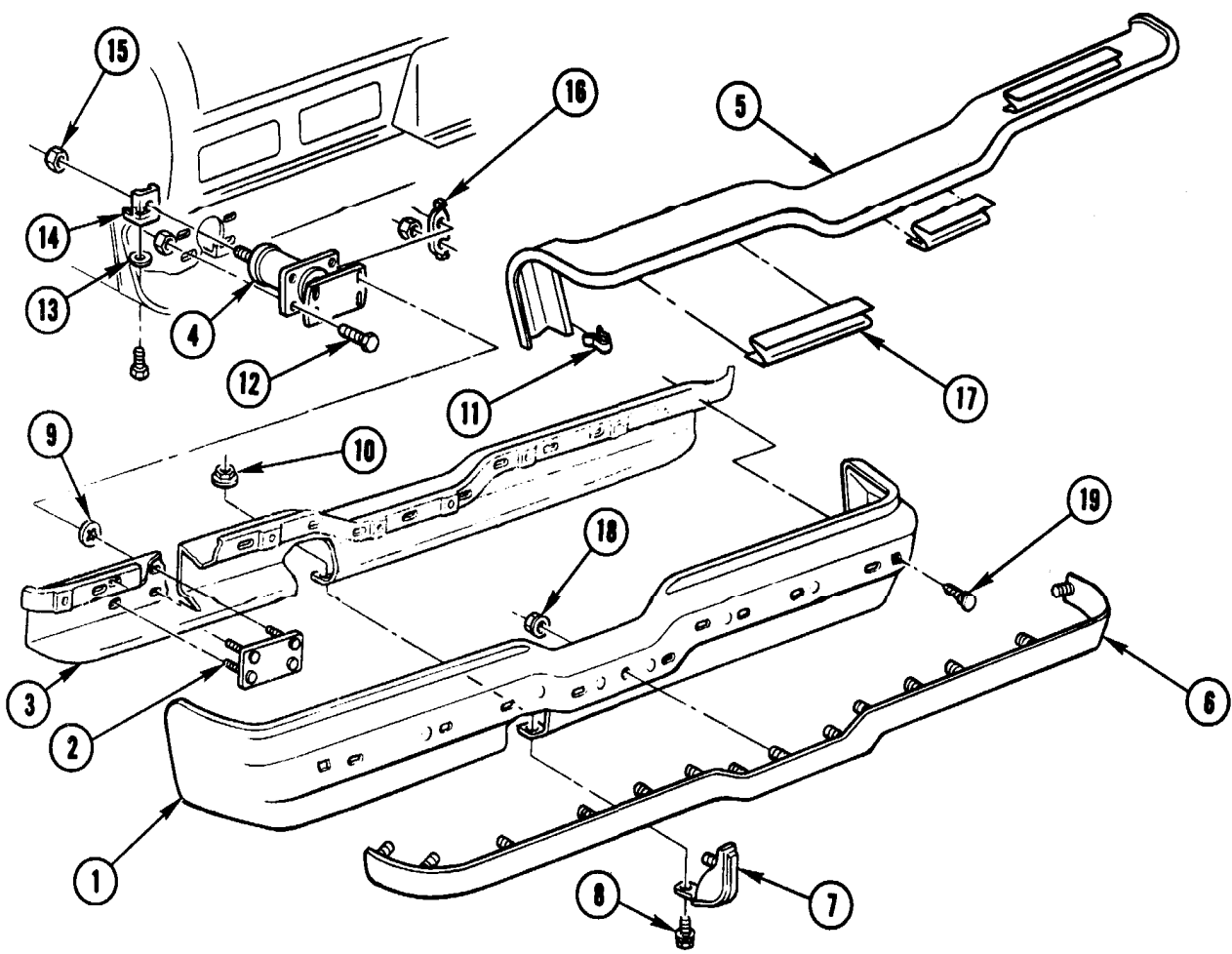
1973 FRONT BUMPER

Key	Description	Part No.	Group
1	BAR, Front Bumper Impact (w/Rub Strip Holes) . . .	9799174	7.831
	BAR, Front Bumper Impact (Less Rub Strip Holes)	9799173	7.831
2	CUSHION, Front Guard	3916640	7.828
3	GUARD, Bumper	484315-16	7.828
4	INSERT, Bumper Outer	488962-63	7.831
5	SCREW, License Mounting (1/4"-14 x 5/8")	—	N.S.
6	NUT, License Mounting	3877254	7.800
7	BUMPER, License	517850	7.800
8	BOLT (7/16"-14 x 1")	9425343	8.902
9	WASHER (5/16" I.D. x 3/4" O.D.)	120386	8.929
10	NUT (5/16"-18)	120376	8.915
11	CLAMP, Guard	484900-01	7.824
12	LOCKWASHER (5/16")	120638	8.931
13	BOLT (5/16"-18 x 7/8")	443899	8.900
14	REINFORCEMENT, Bumper	9799198-99	7.836
15	BOLT (1/2"-13 x 1 3/4")	488929	7.831
16	WASHER (1 1/4" O.D. x 1/2" I.D.)	490688	7.874
17	NUT (1/2"-13)	9414511	8.915
18	BOLT (1/2"-13 x 1")	454998	8.900
19	WASHER (3/8" I.D. x 7/8" O.D.)	446363	8.929
20	NUT (7/16"-14)	9424985	8.915
21	BOLT (1/2"-13 x 1 1/2")	427566	8.900
22	PANEL, Front End Panel to Bumper Bar/Closeout/	491960-61	7.831
23	CLIP, Panel	480534	2.664
24	PANEL, Front End Panel to Bumper Bar/Closeout/	491959	7.831
25	WASHER (17/32" I.D. x 1 1/4" O.D.)	1362249	7.865
26	BAR, Bumper to Frame	9799439-40	7.836
27	LOCKWASHER (1/2")	131101	8.931
28	BRACE, Bumper	9799451-52	7.836
29	WASHER, Bar to Reinf.	1370177	7.039
31	NUT (1/2"-20)	9419844	8.921
32	WASHER (3/8" I.D. x 7/8" O.D.)	446363	8.929
33	BOLT (7/16"-14 x 1 1/4")	9424069	8.900
34	INSERT, Bumper - Center	489964	7.831
35	NUT (#10-24)	441239	8.921
36	BOLT (5/16"-18 x 7/8")	443899	8.900



1974 FRONT BUMPER

Key	Part Name	Part No.	Group No.
1	BAR, Front Bumper (w/Rub. Strip Holes)	491769	7.831
	BAR, Front Bumper (Less Rub. Strip Holes)	490833	7.831
2	REINFORCEMENT, Bumper - Lower	491888	7.831
3	REINFORCEMENT, Bumper - Center	491890	7.831
4	REINFORCEMENT, Bumper - Upper	491889	7.831
5	RETAINER, Closeout Panel	495897	7.831
6	PANEL, Front End Panel to Bumper Bar/Closeout/	491366	7.831
7	BRACKET, Absorber to Frame	339423-24	7.840
8	ABSORBER UNIT, Energy	4975618	7.840
9	REINFORCEMENT, Bumper - Outer	491891-92	7.831
10	PLATE, Absorber Mtg.	337472	7.840
11	GUARD, Front Bumper (w/Insert)	495003-04	7.828
12	STRIP, Front Bumper (Full Width - Exc. Guards) (Shown)	494164	7.831
	STRIP, Front Bumper - Center (w/Guards)	492650	7.831
	STRIP, Front Bumper - Outer (w/Guards)	492651-52	7.831
13	BOLT (3/8"-16 x 3/4" Capped)	-	N.S.
14	NUT (3/8"-16)	1378333	6.760
15	NUT (Push-On - 7/16")	-	N.S.
16	SCREW (#10-16 x 3/4")	-	N.S.
17	SCREW (#8-18 x 3/4")	-	N.S.
18	WASHER (1/2" I.D. x 7/8" O.D.)	-	N.S.
19	NUT (1/2"-13)	9414511	8.915
20	LOCKWASHER (1/2")	131101	8.931
21	NUT (7/16"-14)	9424985	8.915
22	BOLT (1/2"-13 x 1-1/4")	-	N.S.
23	BOLT (7/16"-14 x 1")	9419073	7.840
24	SHIM, Absorbing Unit	493287	7.840
25	SHIM, Absorbing Unit	-	N.S.
26	BOLT (3/8"-16 x 1/4 Hex. Hd. - Pointed)	492746	7.874
27	SPACER, (3/8" - Cut to Length)	3750950	8.964



1974 REAR BUMPER

Key	Part Name	Part No.	Group
1	BAR, Rear Bumper (w/Rub Strip Holes)	339468	7.831
	BAR, Rear Bumper (Less Rub Strip Holes)	337460	7.831
2	PLATE, Bumper Face Bar Stud	337472	7.836
3	REINFORCEMENT, Rear Bumper Face Bar	337471	7.833
4	SHOCK ABSORBER, Bumper	4975618	7.840
5	PANEL, Rear Bumper Closeout	See Data	7.831
6	STRIP, Bumper Bar	339474	7.831
7	GUARD, Bumper	341078	7.828
8	BOLT (3/8"-16 x 1")	186678	8.900
9	NUT (Push-On - 7/16")	-	N.S.
10	NUT (3/8"-16)	-	N.S.
11	CLIP, Rear Bumper to Body Filler	333711	7.833
12	BOLT (7/16"-14 x 1)	9419073	8.900
13	WASHER (1/2" I.D. x 7/8" O.D.)	-	N.S.
14	BRACKET, Unit to Frame	337473	7.840
15	NUT (7/16"-14)	9424985	8.915
16	SPACER, Bumper Shock Absorber	341073	7.865
17	RETAINER, Closeout Panel	480534	7.831
18	NUT (1/4"-20)	9419844	8.921
19	BOLT (3/8"-16 x 1")	120915	8.903