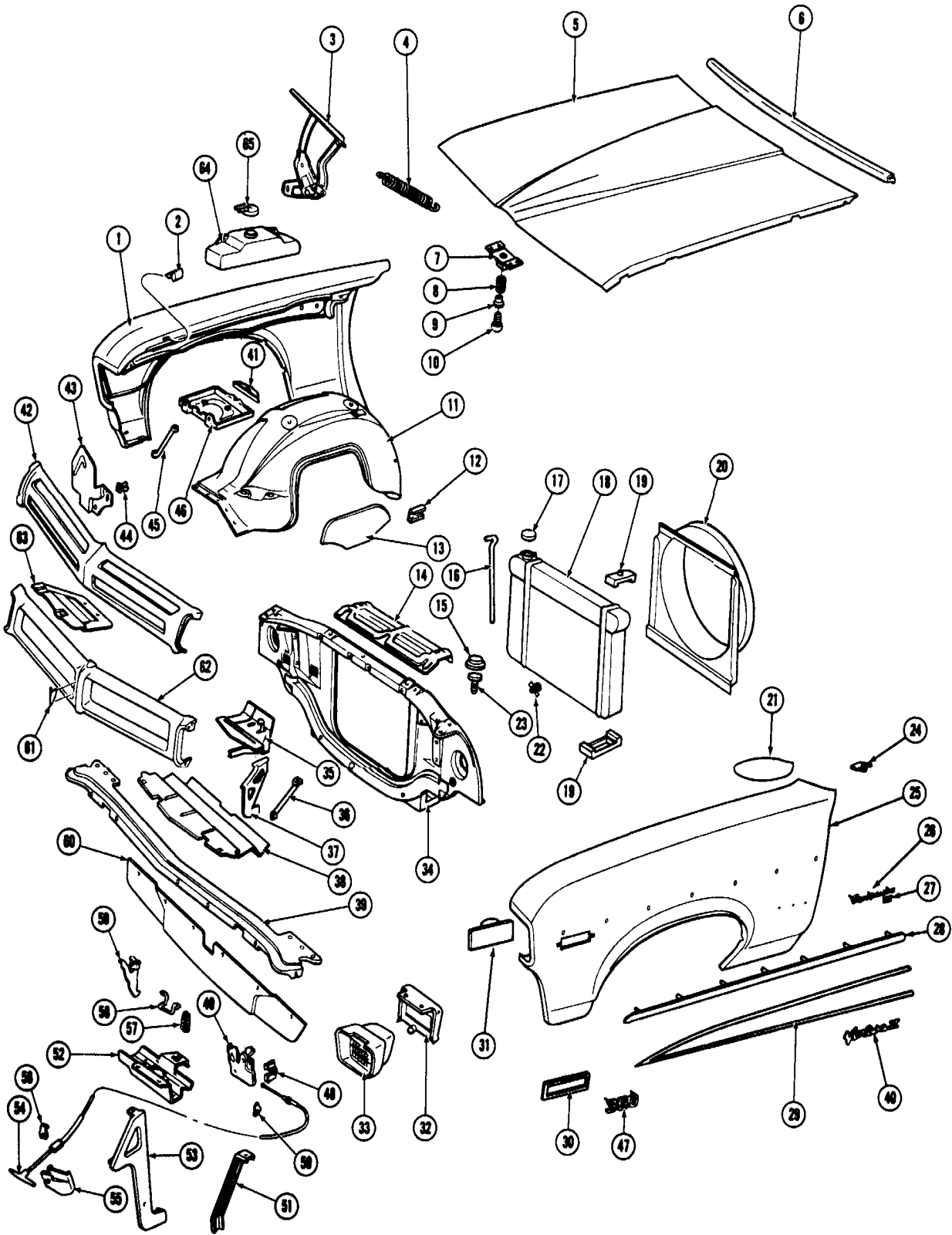


HEATER AND DEFROSTER

Key	Part Name	Part No.	Group No.
1	MOTOR ASM., Heater Blower	4960505	8.855
2	FAN, Blower	3905776	8.857
3	CASE ASM., Heater Blower Motor Air Inlet	3016905	8.857
4	SCREW (#10-16 x 3/4" Hex Washer Hd.)	9419321	8.977
5	WASHER (9/32" I.D. x 5/8" O.D.)	120392	8.929
6	BRACKET, Heater Defroster Outlet	3949975	9.779
7	SEAL, Defroster Outlet	3949921	9.779
8	OUTLET, Defroster Air	3973729	9.779
9	SEAL, Defroster Outlet	3949921	9.779
10	SCREW (#10-16 x 3/4" Hex Washer Hd.)	9419321	8.977
11	RESISTOR, Heater Blower Motor	3929052	8.855
12	CASE ASM., Heater (less core)	3015134	8.854
	CORE ASM., Heater	3016842	8.854
13	SWITCH ASM., Heater Blower Motor	3967939	8.852
14	SCREW (#8-18 x 3/4")	9414754	8.977
15	BUSHING, Heater & Air Cond. Control Arm	3891794	8.852
16	CONTROL ASM., Heater:	3984626	8.849
17	NUT, Cable (1/8")	381700	8.921
18	OUTLET, Heater Air Distributor	3909066	9.786
19	NUT, Cable (1/8")	381700	8.921
20	CABLE ASM., Defroster Control	(●)	N.S.
21	CLIP, Cable Mounting	-	N.S.
22	CABLE ASM., Heater Air Control	(●)	N.S.
23	CABLE ASM., Heater Temp. Control	(●)	N.S.
24	GASKET, Heater Core Tubes (thru dash)	3929024	8.845
25	NIPPLE, Heater Hose to Cyl. Head	3838094	8.866
26	CLAMP, Heater Hose	272852	8.948
27	HOSE, Heater (3/4" I.D. x 51" long)	8885154	8.962
28	HOSE, Heater (5/8" I.D. x 46" long)	8885155	8.962
29	CLIP, Heater Hose	-	N.S.
30	HARNESSES, Engine Wire (6 Cyl.)	8907790	2.525
	HARNESSES, Engine Wire (8 Cyl.)	8907791	2.525

(●) Use Cable Unit, Group #8.866, Part #3862203
(Consists of tool, housing, wire and clamp assortment)



1971-74 FRONT END SHEET METAL



VENTURA II
PARTS CATALOGUE

Key	Part Name	Group No.
1	FENDER, Front - R.H.	8.130
2	BUMPER, Hood to Fender - Side	8.024
3	HINGE ASM., Hood	8.015
4	SPRING, Hood Hinge	8.013
5	HOOD ASM.	8.000
6	SEAL, Body to Hood	12.801
7	PLATE, Hood Lock Mounting	8.083
8	SPRING, Hood Lock Bolt	8.085
9	RETAINER, Hood Lock Bolt Spring	8.085
10	BOLT, Hood Lock	8.085
11	SKIRT, Front Fender	8.153
12	SPACER, Fender Skirt to Frame	8.154
13	SEAL, Fender Skirt Duct	8.154
14	PANEL, Radiator Upper Mounting	1.270
15	BUMPER, Hood Adjustable Bolt	8.024
16	HOSE, Radiator Overflow	1.240
17	CAP, Radiator Filler	1.203
18	RADIATOR	1.219
19	PAD, Radiator Support	1.270
20	SHROUD, Radiator Fan	1.277
21	SHIELD, Fender Skirt - L.H.	8.154
22	DRAIN COCK, Radiator (1/4" x 1 5/16")	8.951
23	BOLT, Hood Adjustable	8.024
24	SHIM, Fender to Shroud	8.143
25	FENDER, Front - L.H.	8.130
26	NAME PLATE PKG., Front Fender - "Ventura"	8.147
27	NAME PLATE PKG., Front Fender - "II"	8.147
28	MOLDING PKG., Front Fender - Side	8.132
29	STRIPE, Front Fender	8.147
30	BEZEL, Front Side Marker	2.575
31	LAMP ASM., Front Side Marker	2.575
32	BRACKET, Parking Lamp Mounting	2.587
33	LAMP ASM., Parking	2.585
34	SUPPORT & BAFFLE, Radiator	1.270
35	CATCH ASM., Hood Lock	8.080
36	BRACE, Hood Lock Plate	8.080
37	SUPPORT, Hood Latch	8.080
38	BAFFLE, Air Cond. Lower	9.190
39	PANEL, Front End to Bumper	1.266
40	PLATE PKG., Fender Name "Ventura II"	8.147
41	CLAMP, Battery Hold-Down	2.335
42	PANEL, Radiator Grille	1.266
43	BAFFLE, Radiator Baffle to Fender - Plastic	1.272
44	NUT, Radiator Baffle to Support	1.272
45	BRACE, Fender to Radiator Support	8.141
46	TRAY, Battery	2.333
47	EMBLEM PKG., Frt. Fender Side - "350"	8.147
48	CLIP, Release Cable to Lock (1973)	8.080
49	LOCK ASM., Hood (1973)	8.083
50	RETAINER, Hood Lock Release Cable (1973)	8.080
51	BRACE, Hood Lock Plate (1973)	8.080
52	PLATE, Hood Lock Mounting (1973)	8.083
53	SUPPORT ASM., Hood Lock (1973)	8.080
54	CABLE ASM., Hood Lock Release (1973)	8.075
55	BRACKET, Hood Lock Cable Mounting (1973)	8.075
56	CLIP, Hood Cable (1973)	9.787
57	SPRING, Hood Pop-Up (1973)	8.083
58	STRIKER, Hood Lock (1973)	8.083
59	CATCH ASM., Hood Safety (1973)	8.083
60	BAFFLE, A.C. Air-Lower (1973)	9.190
61	EMBLEM PKG., Grille Panel Crest (1973)	1.303
62	PANEL, Grille (Sprint) (1973)	1.266
63	BRACE, Front End Panel to Skirt (1973)	1.266
64	RESERVOIR, Engine Coolant (1973)	1.219
65	CAP, Coolant Reservoir (1973)	1.203

1971-74 FRONT END SHEET METAL