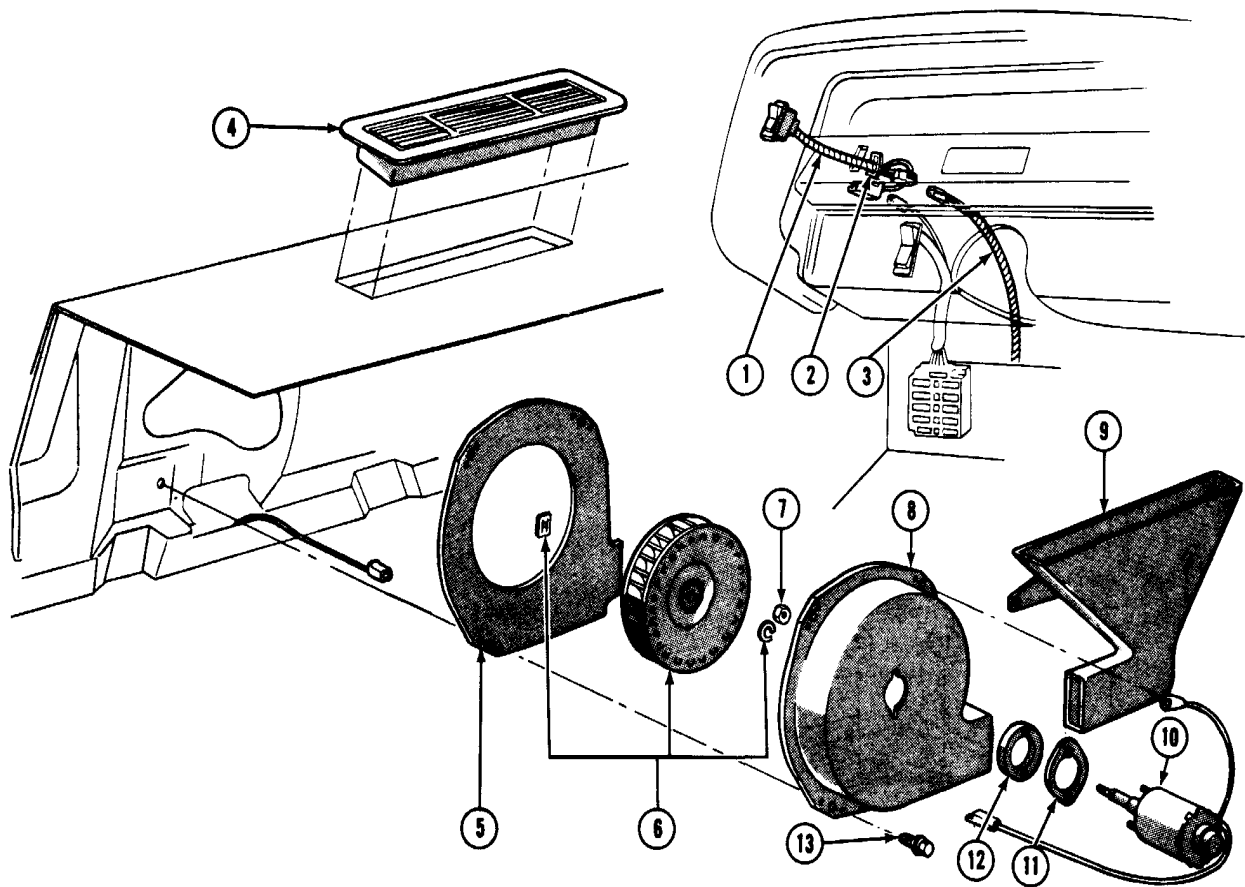
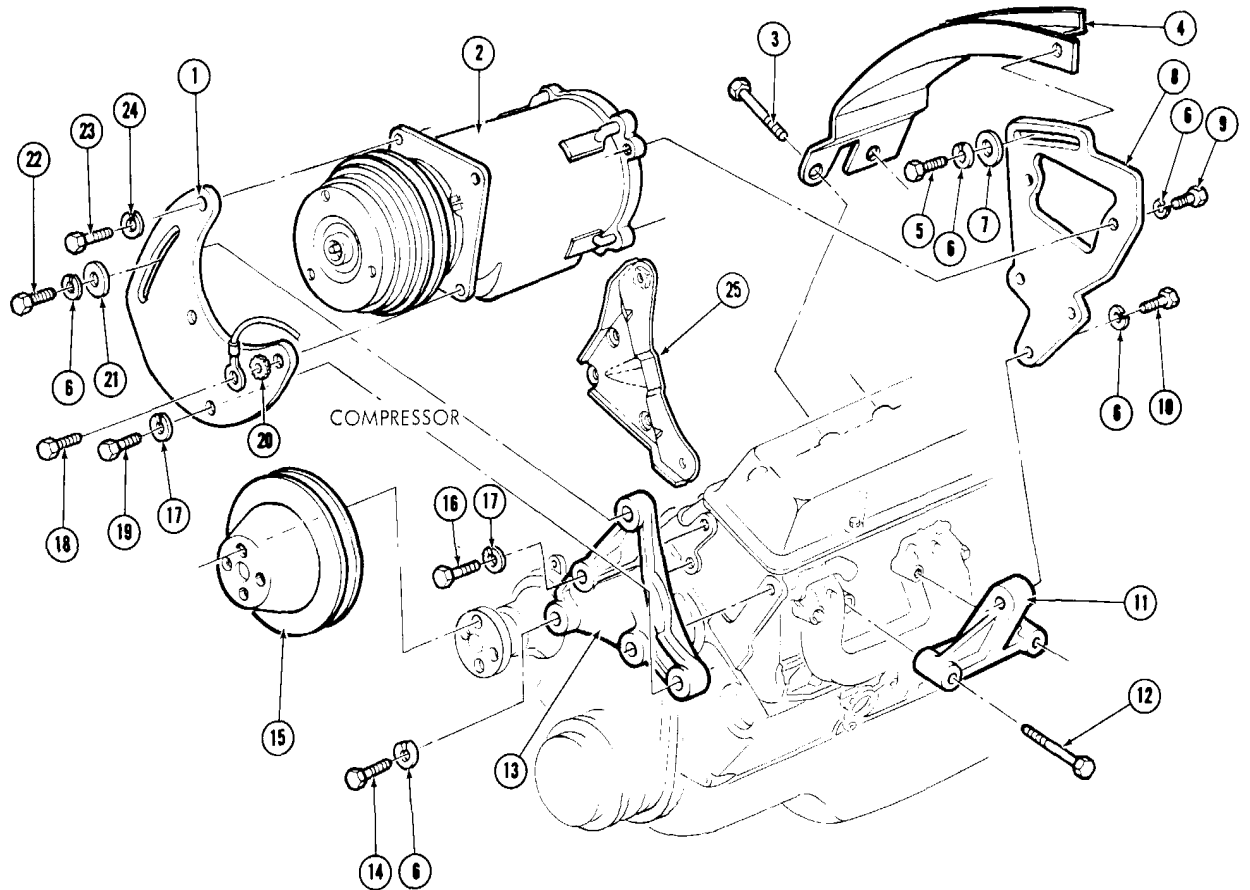


**GROUP 9.000**  
**BODY MOUNTING –**  
**AIR CONDITIONING**



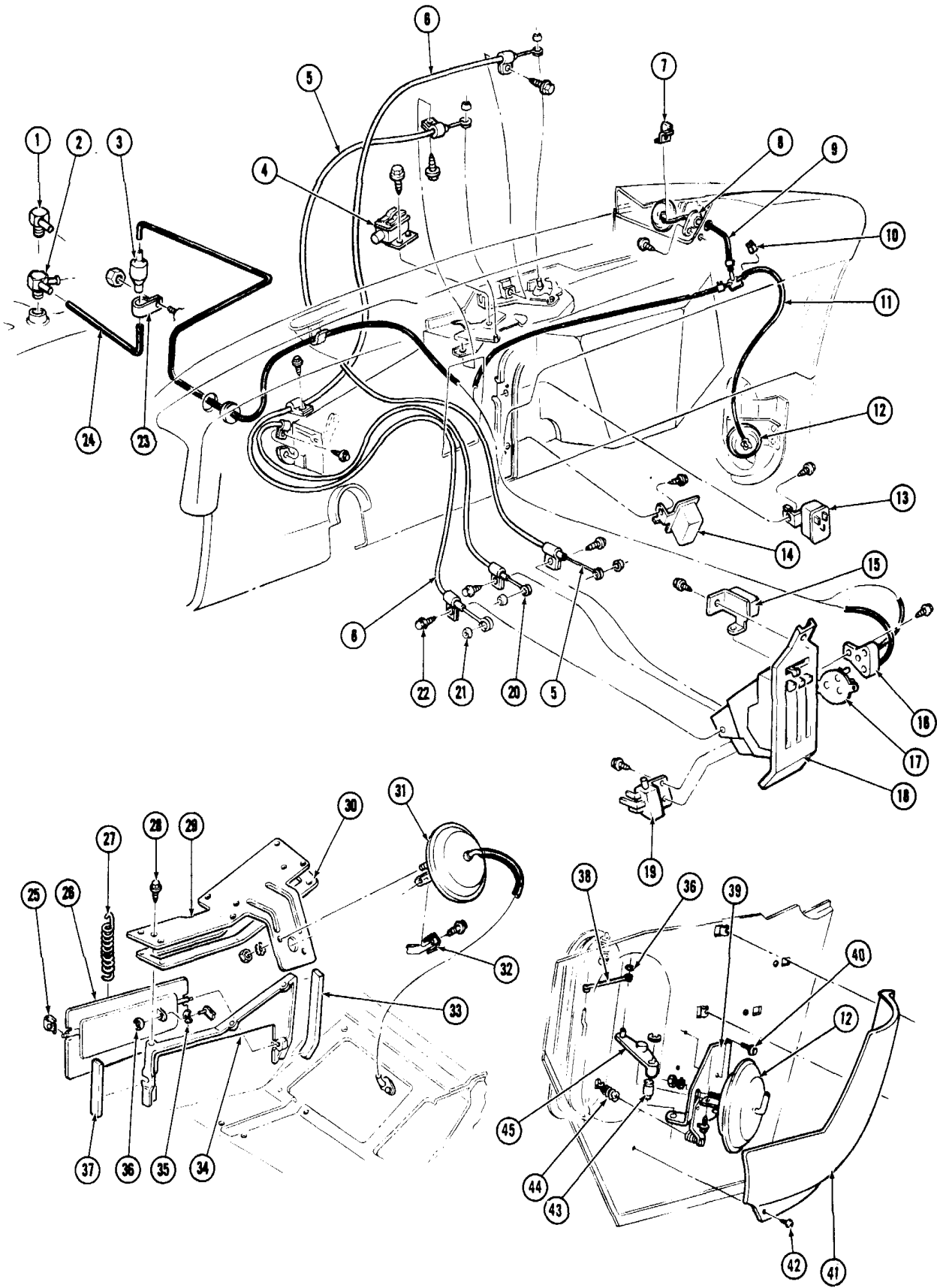
**TYPICAL REAR WINDOW DEFOGGER**

Key	Part Name	Group No.
1	SWITCH & WIRE, Defogger Blower	9.778
2	CLIP, Defogger Switch Retaining	9.778
3	WIRE, Defogger Blower to Switch	9.778
4	GRILLE, Defogger	9.778
5	PLATE, Motor Inlet	9.778
6	FAN, Defogger	9.778
7	NUT, Motor to Case (#8-32)	8.915
8	CASE, Blower	9.778
9	OUTLET, Defogger	9.779
10	MOTOR, Window Defogger	9.778
11	SPACER, Motor Mounting	N.S.
12	GASKET, Motor Mounting	9.778
13	SCREW, Case to Plate (#8-18 x 3/8")	8.977



**A/C COMPRESSOR MOUNTING**

Key	Part Name	Part No.	Group No.
1	BRACKET, Compressor - Front	3932433	9.171
2	BODY ASM., Air Conditioning Compressor	5910495	9.170
3	BOLT, Rear Brace to Block	9418994	8.900
4	BRACE, Compressor - Rear	3973372	9.171
5	BOLT (3/8"-16 x 1")	186678	8.900
6	LOCKWASHER (7/16")	120383	8.931
7	WASHER (13/32")	120394	8.929
8	BRACKET, Compressor - Rear	<b>3998946</b>	9.171
9	BOLT (3/8"-16 x 1 1/8")	435611	8.900
10	BOLT (3/8"-16 x 1")	186678	8.900
11	SUPPORT, Rear Bracket	3932435	9.171
12	BOLT (3/8"-16 x 3 21/32")	3841724	3.275
13	SUPPORT, Front Bracket	3932432	9.171
14	BOLT (3/8"-16 x 1 1/8")	435611	8.900
15	PULLEY, Water Pump	3995631	1.062
16	BOLT (3/8"-16 x 1 1/8")	435611	8.900
17	LOCKWASHER (3/8")	120382	8.931
18	BOLT (5/16"-24 x 7/8")	9409018	8.900
19	BOLT (3/8"-16 x 1")	186678	8.900
20	LOCKWASHER (5/16" external)	138485	8.932
21	WASHER (13/32")	120394	8.929
22	BOLT (3/8"-16 x 1")	186678	8.900
23	BOLT (5/16"-24 x 3/4")	444684	8.900
24	LOCKWASHER (5/16")	120638	8.931
25	SUPPORT, Front Bracket (1972)	3997796	9.171

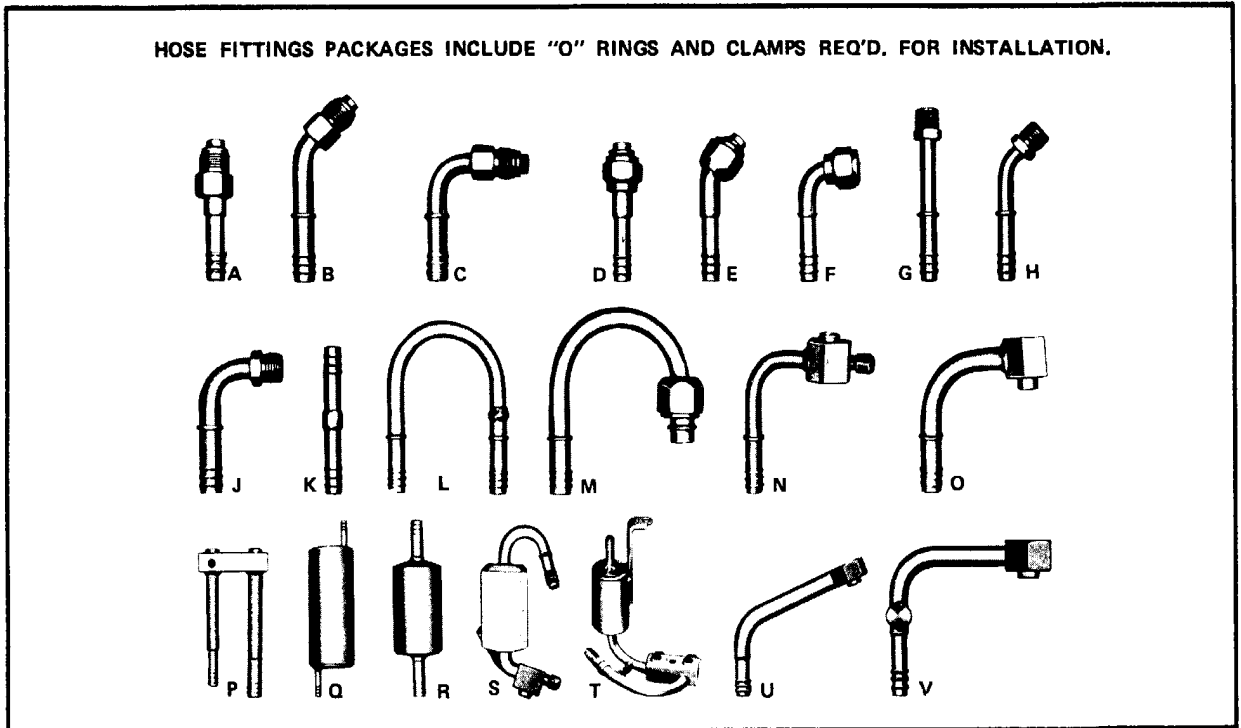


1971-73 AIR CONDITIONING - CONTROLS



**8.962-Q Hose Fitting Packages and Related Parts, Air Conditioning Refrigerant**

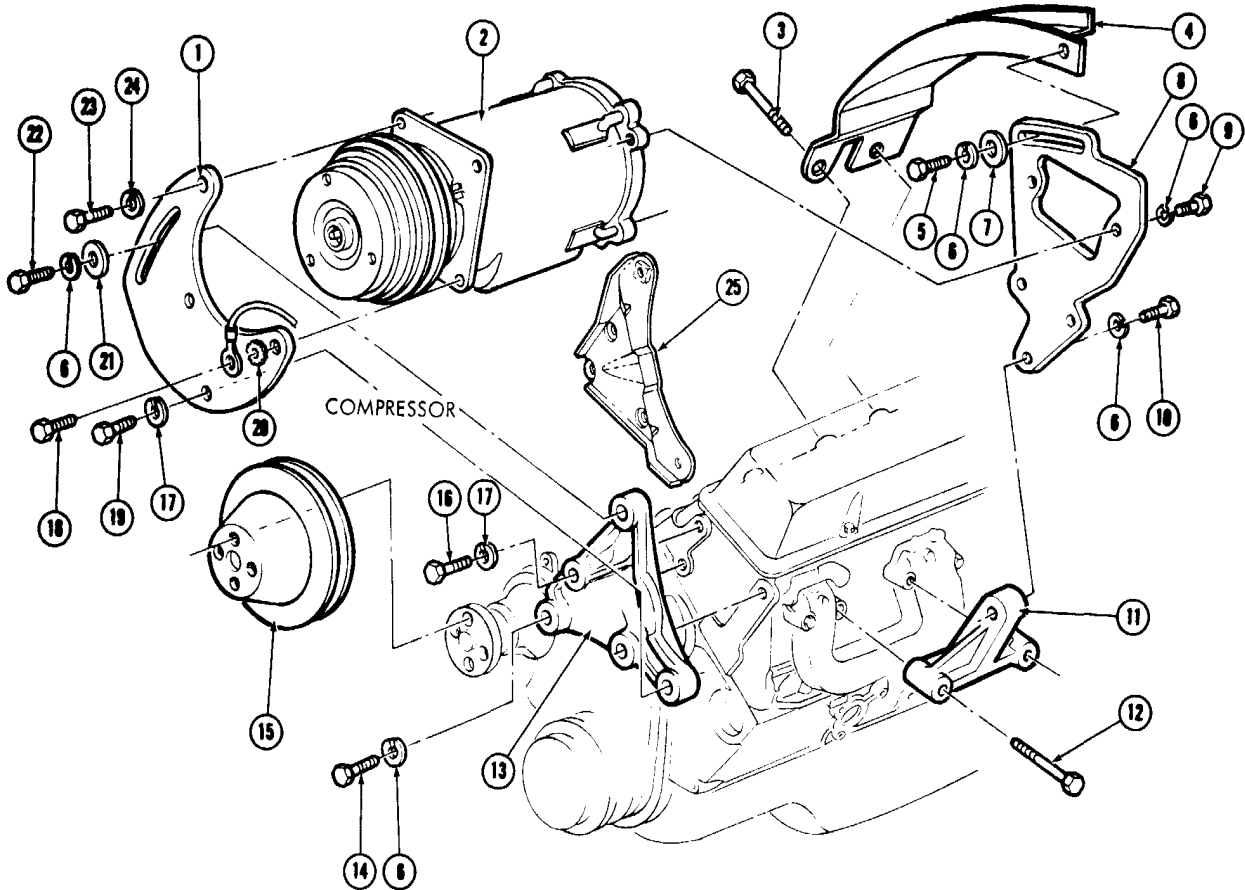
HOSE FITTINGS PACKAGES INCLUDE "O" RINGS AND CLAMPS REQ'D. FOR INSTALLATION.



PART NO.	TYPE	THREAD SIZE	HOSE I. D.	PART NO.	TYPE	THREAD SIZE	HOSE I. D.	PART NO.	TYPE	THREAD SIZE	HOSE I. D.
3024535	A	11/16-16	5/16	3023674	E	5/8-18	5/16	3023686	K		5/16
3023691	A	5/8-16	5/16	3023675	E	3/4-16	13/32	3023687	K		13/32
3023692	A	3/4-18	13/32	3023676	E	7/8-14	1/2	3023688	K		1/2
3023693	A	7/8-18	1/2	3023677	E	1 1/16-14	5/8	3023689	K		5/8
3023694	A	1- 1/16-16	5/8	3023678	E	5/8-18	13/32	3023718	L		1/2
3023695	A	5/8-18	13/32	3023679	E	3/4-16	1/2	3023719	L		5/8
3023696	A	3/4-18	1/2	3023680	E	7/8-14	5/8				
3023668	B	5/8-18	5/16	3023657	F	5/8-18	5/16	3024791	M	5/8-18(Male)	5/16
3023669	B	3/4-18	13/32	3023658	F	3/4-16	13/32	3023722	M	1 1/16-14 (Female)	5/8
3023670	B	7/8-18	1/2	3023659	F	7/8-14	1/2				
3023671	B	1 1/16-16	5/8	3023660	F	1 1/16-14	5/8	3023715	N		13/32
3023672	B	5/8-18	13/32	3023661	F	5/8-18	13/32	3023716	N		1/2
3023673	B	3/4-18	1/2	3023662	F	3/4-16	1/2	3023717	O		5/8
3024537	C	11/16-16	5/16	3023663	F	7/8-14	5/8	3023721	P		13/32-5/8
3023651	C	5/8-18	5/16	3024534	G	5/8-18	5/16	3023720	Q		13/32
3925751	C	11/16-16	13/32	3023711	G	5/8-18	13/32	3023712	G	3/4-16	1/2
3023652	C	3/4-18	13/32	3023712	G	3/4-16	1/2	3023713	G	7/8-14	5/8
3023653	C	7/8-18	1/2	3023713	G	7/8-14	5/8	3023714	G	1 1/16-14	5/8
3023654	C	1 1/16-16	5/8	3023714	G	1 1/16-14	5/8	3023682	H	5/8-18	13/32
3023655	C	5/8-18	13/32	3023682	H	5/8-18	13/32	3023683	H	3/4-16	1/2
3023656	C	3/4-18	1/2	3023683	H	3/4-16	1/2	3023684	H	7/8-14	5/8
3023697	D	5/8-18	5/16	3023684	H	7/8-14	5/8	3023685	H	1- 1/16-14	5/8
3023698	D	3/4-16	13/32	3024536	J	5/8-18	5/16	3023664	J	5/8-18	13/32
3023699	D	7/8-14	1/2	3023664	J	5/8-18	13/32	3023665	J	3/4-16	1/2
3023700	D	1 1/16-14	5/8	3023665	J	3/4-16	1/2	3023666	J	7/8-14	5/8
3023701	D	5/8-18	13/32	3023666	J	7/8-14	5/8	3023667	J	1 1/16-14	5/8
3023709	D	3/4-16	1/2	3023667	J	1 1/16-14	5/8				
3023710	D	7/8-14	5/8								

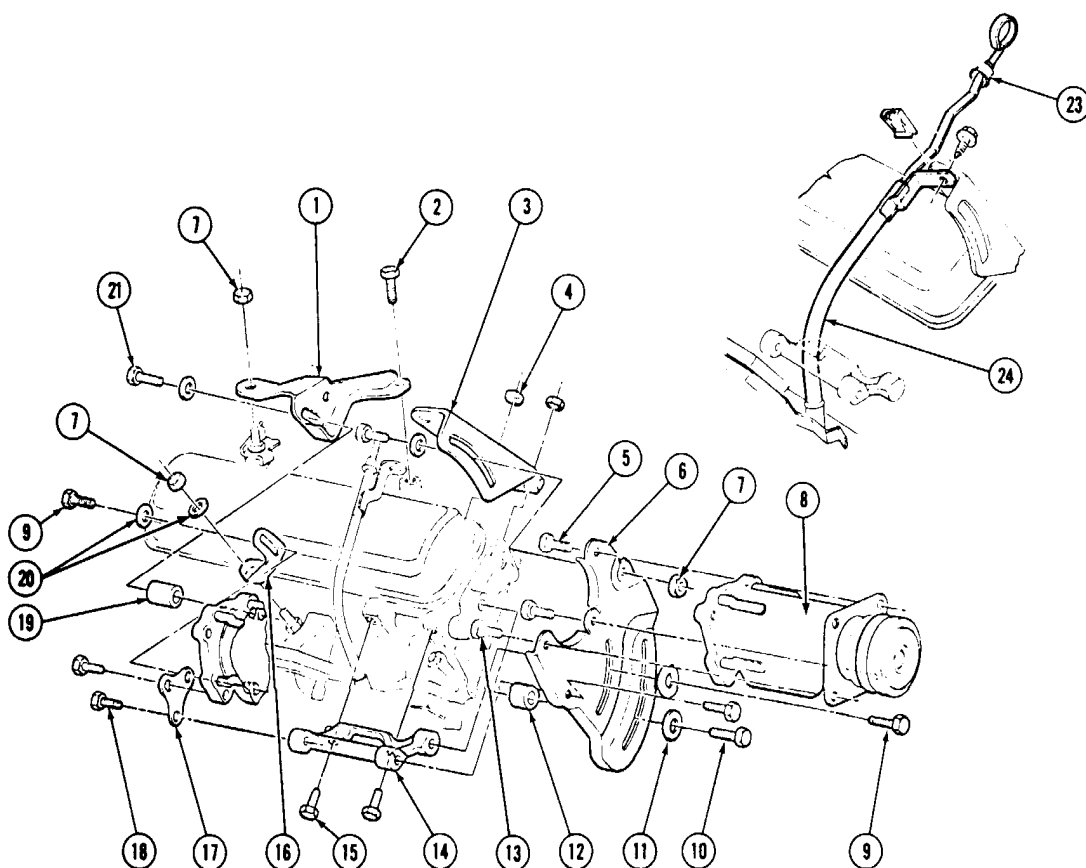
\*FITTING ONLY

HOSE, CLAMP, O'RINGS				
230882	Hose, Refrig.	(5/16" I.D. x 15')	8526398	O'Ring (3/8" I.D.)
230883	Hose, Refrig.	(13/32" I.D. x 15')	3140600	O'Ring (1/2" I.D.)
230884	Hose, Refrig.	(1/2" I.D. x 15')	3140748	O'Ring (5/8" I.D.)
230885	Hose, Refrig.	(5/8" I.D. x 15')	3140852	O'Ring (3/4" I.D.)
3909030	Clamp, Adj. Hose (with Locator Tab)		5887997	O'Ring, Fitting to Comp.



### A/C COMPRESSOR MOUNTING (307 ENG.)

Key	Part Name	Group No.
1	BRACKET, Compressor - Front	9.171
2	BODY ASM., Air Conditioning Compressor	9.170
3	BOLT, Rear Brace to Block, (3/8-16 x 1 1/4)	8.900
4	BRACE, Compressor - Rear	9.171
5	BOLT (3/8"-16 x 1")	8.900
6	LOCKWASHER (7/16")	8.931
7	WASHER (13/32")	8.929
8	BRACKET, Compressor - Rear	9.171
9	BOLT (3/8"-16 x 1 1/8")	8.900
10	BOLT (3/8"-16 x 1")	8.900
11	SUPPORT, Rear Bracket	9.171
12	BOLT (3/8"-16 x 3 21/32")	3.275
13	SUPPORT, Front Bracket	9.171
14	BOLT (3/8"-16 x 1 1/8")	8.900
15	PULLEY, Water Pump	1.062
16	BOLT (3/8"-16 x 1 1/8")	8.900
17	LOCKWASHER (3/8")	8.931
18	BOLT (5/16"-24 x 7/8")	8.900
19	BOLT (3/8"-16 x 1")	8.900
20	LOCKWASHER (5/16" external)	8.932
21	WASHER (13/32")	8.929
22	BOLT (3/8"-16 x 1")	8.900
23	BOLT (5/16"-24 x 3/4")	8.900
24	LOCKWASHER (5/16")	8.931
25	SUPPORT, Front Bracket (1972-73)	9.171


**A/C COMPRESSOR MOUNTING (350 ENG.)**

Key	Part Name	Group No.
1	BRACE, Comp. Rear — Upper .....	9.171
2	BOLT (3/8"-16 x 5/8") .....	8.900
3	BRACE, Comp. Front .....	9.171
4	NUT (5/16"-18) .....	8.915
5	BOLT (5/16"-24 x 3/4") .....	8.900
6	SUPPORT, Comp. Front .....	9.171
7	NUT (3/8"-16) .....	8.915
8	COMPRESSOR, A.C. ....	9.170
9	BOLT (3/8"-16 x 1 1/8") .....	8.900
10	BOLT (3/8"-16 x 1 7/8") .....	8.900
11	WASHER, Supt. to Head (1 3/32" I.D.) .....	9.173
12	SPACER, Supt. to Hose .....	9.171
13	BOLT (5/16"-24 x 1") ("A" & "B") .....	8.900
	BOLT (5/16"-24 x 3/4") ("F" & "X") .....	8.900
14	BRACKET, Comp. Mounting .....	9.171
15	BOLT (3/8"-16 x 1 1/4") .....	8.900
16	BRACE, Comp. Lower Rear .....	9.171
17	PLATE, Comp. — Rear .....	9.171
18	BOLT (3/8"-16 x 7/8") .....	8.900
19	SPACER, Rear Brace to Comp. ....	9.171
20	WASHER, Comp. Mtd. (1 3/32" I.D. x 3/4" O.D.) .....	N.S.
21	BOLT (3/8"-16 x 2 1/8") .....	N.S.
22	INDICATOR ASM., Oil Level .....	1.516
23	TUBE ASM., Indicator — Upper .....	1.516

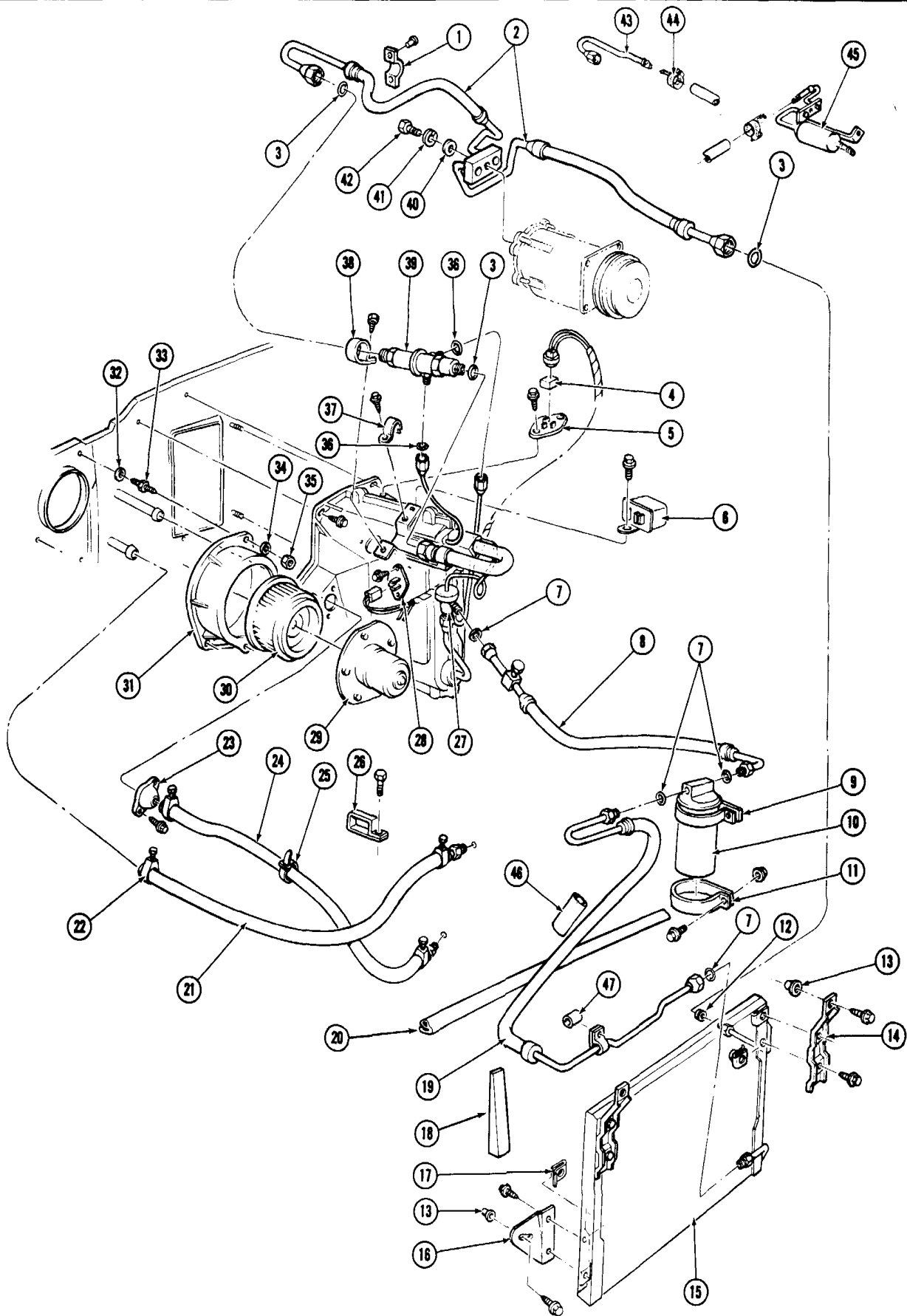






**1971-74 AIR CONDITIONING—CONTROLS**

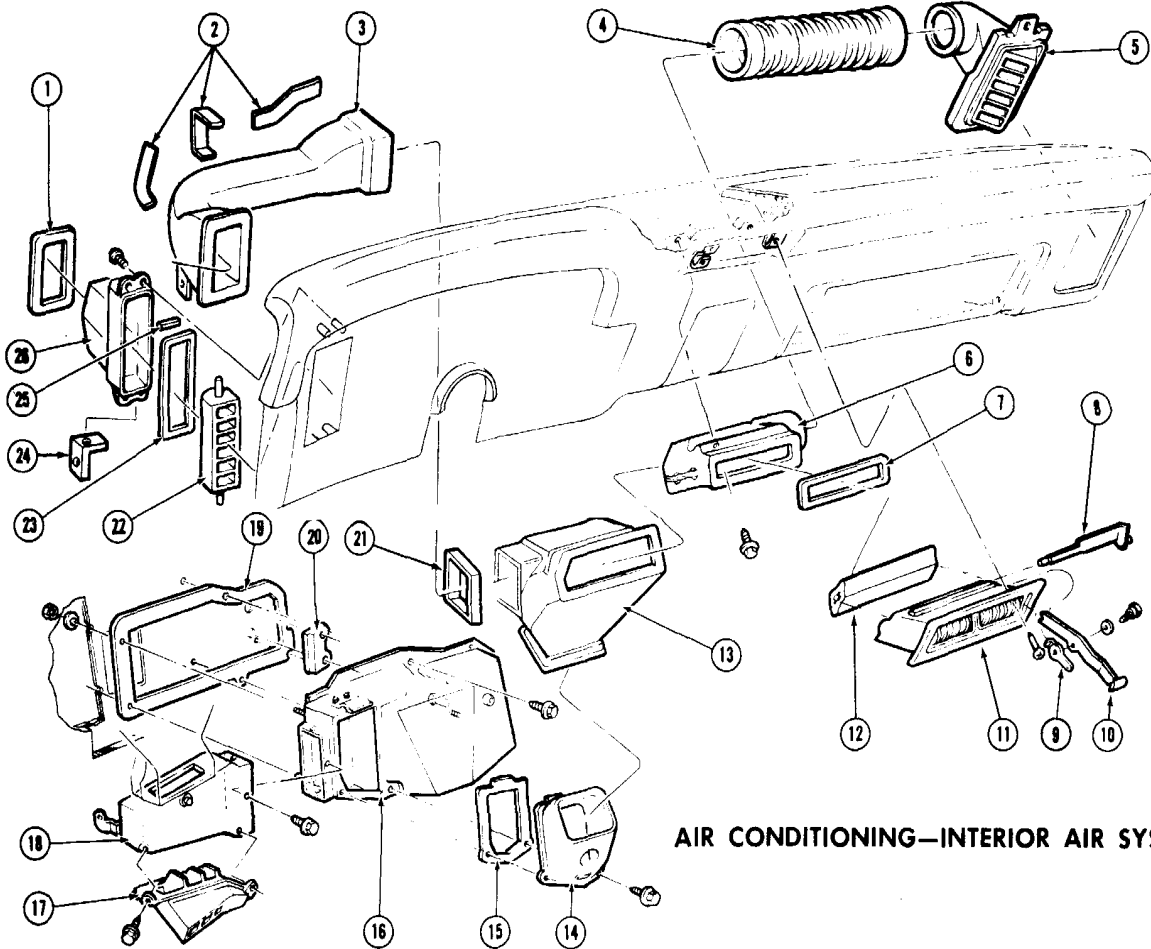
Key	Part Name	Part No.	Group No.
1	TEE ASM., Vacuum Fitting .....	3891523	8.962
2	TEE ASM., Vacuum Fitting .....	3891524	8.962
3	VALVE, Control Check .....	1485553	8.850
4	SWITCH, Compressor and Blower .....	3955900	9.275
5	CABLE ASM., Air Outlet (Use Pkg.)—1971-72 .....	3862203	9.787
	—1973-74 .....	6258364	9.787
6	CABLE ASM., Temperature (Use Pkg.)—1971-72 .....	3862203	9.787
	—1973-74 .....	6258364	9.787
7	RETAINER, Hose to Actuator .....	3984660	9.281
8	GROMMET, Vacuum Control Hose .....	3895903	9.775
9	HOSE, Vacuum .....	—	9.281
10	CLIP, Vacuum Hose .....	3949938	9.281
11	HOSE, Vacuum .....	—	9.281
12	ACTUATOR, Inlet Side Shroud—1971-72 .....	1998990	9.789
	—1973-74 .....	1996505	9.789
13	RELAY, Anti-Dieseling Blocking .....	3996204	4.075
14	RELAY, Anti-Dieseling .....	3996203	4.075
15	SWITCH, Heater and AC Fan Control .....	3929094	9.275
16	HOSE ASM., A/C Vacuum .....	—	N.S.
17	VALVE, Vacuum Control (2 Port) .....	—	N.S.
18	CONTROL ASM., Air Conditioning and Heater .....	3984627	9.273
19	SWITCH, Blower Control—Low .....	3973728	8.852
20	CABLE ASM., Defroster (Use Pkg.)—1971-72 .....	3862203	9.787
	—1973-74 .....	6258364	9.787
21	NUT, Cable to Control (1/8") .....	381700	9.787
22	SCREW, Cable to Control (#10-16 x 5/8") .....	9419321	8.977
23	CLIP, Hose to Dash .....	3754940	9.220
24	HOSE, Vacuum .....	—	9.281
25	CLIP, Plenum Valve .....	3781362	9.262
26	VALVE, Plenum .....	3891700	9.786
27	SPRING, Valve to Plate .....	3891706	9.786
28	SCREW, Hsg. Plate to Plenum (#10-16 x 1/2") .....	9419303	8.977
29	PLATE, Valve Housing .....	3891703	9.786
30	SEAL, Valve Housing Plate .....	3891708	9.786
31	ACTUATOR, Air Recirculation Valve .....	1998927	9.782
32	LINK, Plenum Valve .....	3891702	9.786
33	SEAL, Valve Housing to Plenum—Rear .....	3895959	9.782
34	HOUSING, Plenum .....	3891701	9.786
35	WASHER, Link to Valve .....	7278015	9.649
36	NUT, Link to Valve (1/8") .....	381700	9.787
37	SEAL, Valve Housing to Plenum—Front .....	—	N.S.
38	LINK, Side Shroud Vacuum Control .....	3895929	9.786
39	BRACKET, Side Shroud Vacuum Control .....	3895927	9.786
40	SCREW, Brkt. to Shroud (1/4"-14 x 3/8") .....	—	N.S.
41	COVER, Shroud Vacuum Control—1971-72 .....	3949871	9.786
	—1973-74 .....	331910	9.786
42	SCREW, Cover to Shroud .....	—	N.S.
43	PIN, Side Shroud Vacuum Control .....	3895930	9.786
44	SPRING, Side Shroud Vacuum Control .....	3895931	9.786
45	ARM, Side Shroud Vacuum Control .....	3895928	9.786

**1971-74 AIR CONDITIONING—REFRIGERATION SYSTEM**



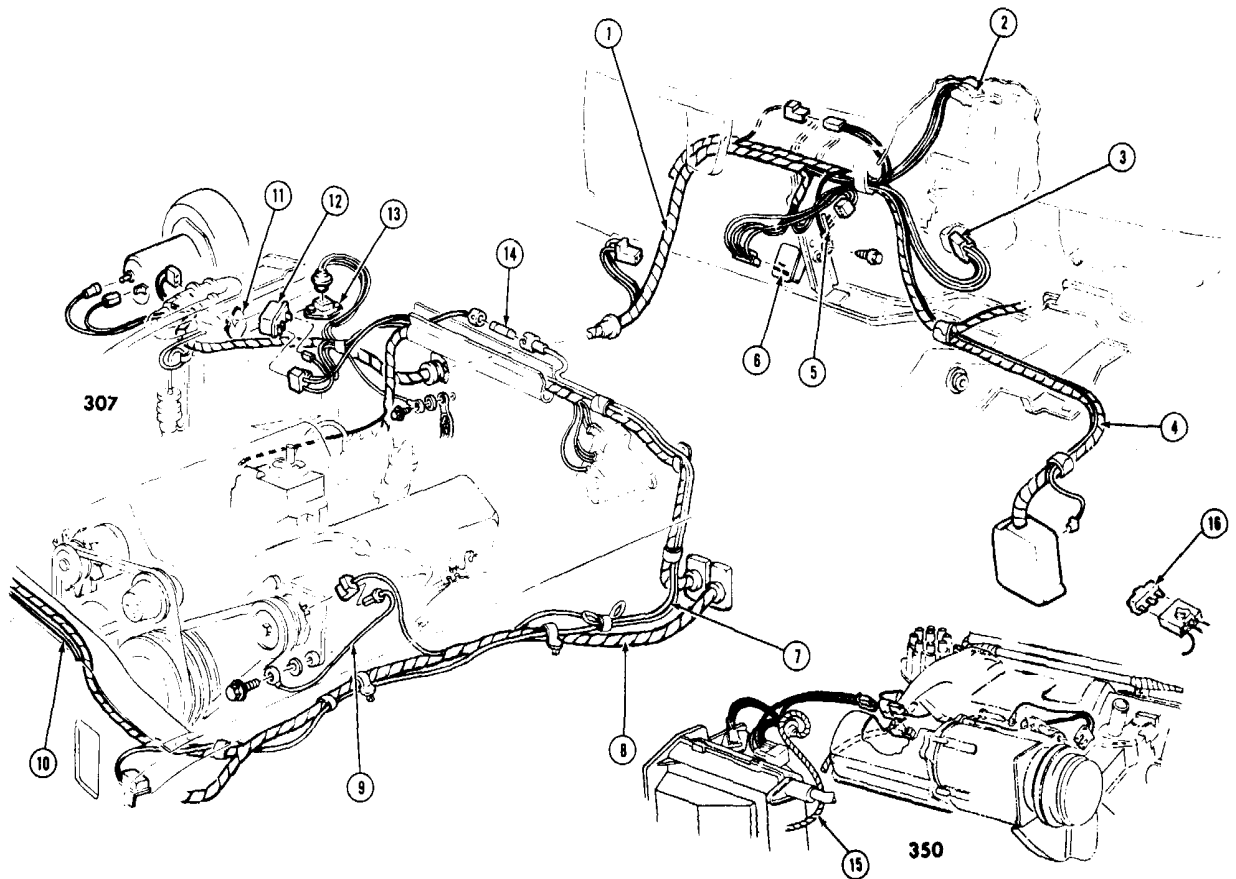
**1971-74 AIR CONDITIONING—REFRIGERATION SYSTEM**

Key	Part Name	1971-72	1973-74	Group No.
		Part No.	Part No.	
1	CLAMP, Hose to R.H. Fender Skirt Hold Down .....	3940293	—	9.242
2	FITTING ASM., Comp. Suction & Dischg. (See Group 9.222) .....	—	—	N.S.
3	"O"-RING, Comp. Disc. Hose to Inlet Pipe .....	3140600	3140600	9.214
4	SEAL, Blower Motor Resistor .....	3942653	3942653	9.275
5	RESISTOR, Blower Motor .....	3942651	6262652	9.275
6	RELAY, Blower Motor Cutout .....	1115881	1115881	9.277
7	"O"-RING, Receiver Asm. to Hose Conn. ....	8526398	8526645	9.214
8	HOSE ASM., Receiver Asm. to Expansion Valve .....	3998433	—	9.220
9	BRACKET, Receiver Asm.—Mtg.—Upper .....	3917321	3917321	9.196
10	RECEIVER & DEHYDRATOR ASM. ....	3012944	3012944	9.195
11	BRACKET, Receiver Asm.—Mtg.—Lower .....	3849849	3849849	9.196
12	GROMMET, Upper Cond. Pipe Nut thru Rad. Support .....	3984684	3984684	9.260
13	NUT, Condenser Bracket Screw to Rad. Support .....	3903539	3903539	9.211
14	BRACKET, Condenser Mounting—L.H. Upper .....	3937193	3937193	9.190
15	CONDENSER ASM.—30/ Eng. ....	3973752	3973752	9.190
	—350 Eng. ....	3027070	3028607	9.190
16	BRACKET, Condenser Mounting R.H. Lower .....	3937192	3937192	9.190
17	"U" NUT, Condenser to Lower Bracket Mtg. (#10) .....	9422836	9422836	8.921
18	SEAL, Cond. to Radiator Support—R.H. ....	3942626	3942626	9.190
19	HOSE & TUBE ASM., Condenser to Receiver Asm. ....	3998432	—	9.225
20	SEAL, Radiator Support—Upper .....	3940279	3940279	1.274
21	HOSE, Heater Water (5/8") .....	482434	482434	8.962
22	CLAMP, Heater Hose .....	272852	272852	8.948
23	GROMMET, Heater Core Pipe .....	3885184	3885184	9.775
24	HOSE, Heater Water (3/4") .....	482420	482420	8.962
25	STRAP, Hose to Pipe .....	3917385	3917385	8.846
26	CLIP, Heater Hoses .....	3825416	3825416	8.846
27	VALVE, Refrigerant Expansion .....	5910766	5910766	9.213
28	SWITCH, Comp. Ambient Sensor .....	483326	483326	9.275
29	MOTOR, Heater Blower .....	4960505	4960505	8.855
30	FAN, Blower .....	3905776	3027031	8.857
31	CASE ASM., Blower Air Inlet .....	3016905	3016905	8.857
32	WASHER (Spec. 13/64" I.D. x 1/2" O.D.) .....	—	—	N.S.
33	STUD, Heater Case Mtg. ....	3895910	3895910	9.275
34	WASHER, Heater Case Mtg. Nut (5/16" I.D. x 3/4" O.D.) .....	120386	120386	8.929
35	NUT, Heater Case Mtg. Stud (1/4"-20) .....	9422293	9422293	8.917
36	"O"-RING, P.O.A. Valve Center Conn. to Lines (3/16" I.D. x 5/16" O.D.) .....	8526645	8526645	9.214
37	CLAMP, Refrigerant Cont. Valve Tube .....	3859062	3859062	9.199
38	BRACKET, P.O.A. Valve End .....	3923186	3923186	9.199
39	VALVE ASM., Suction Throttle (P.O.A.) .....	5910593	5910593	9.198
40	WASHER, Fitting Asm. Conn. Block Bolt to Comp. ....	120394	120394	8.929
41	LOCKWASHER, Conn. Block Bolt (3/8") .....	120382	120382	8.931
42	BOLT, Fittings Asm. Conn. Block to Comp. Rear Head (3/8"-24 x 1 1/8") .....	—	—	N.S.
43	TUBE ASM., P.O.A. Valve to Suction Hose (350) .....	487791	487791	9.229
44	CLAMP, Refrigerant Hose .....	3909030	3909030	9.242
45	MUFFLER & FITTINGS ASM., Compressor (350) .....	487782	487782	9.226
46	SPACER, Suction Hose (350) .....	480317	480317	9.225
47	INSULATOR, Suction Hose (350) .....	9797912	9797912	9.242



**AIR CONDITIONING—INTERIOR AIR SYSTEM**

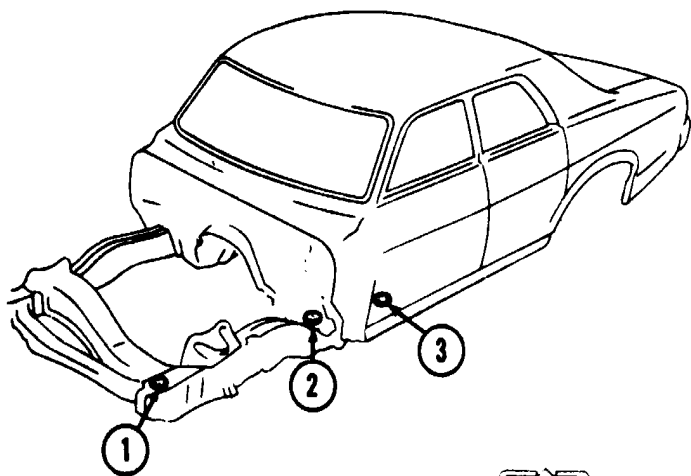
Key	Part Name	Part No.	Group No.
1	SEAL, Air Side Outlet Duct . . . . .	3942623	9.262
2	SEAL, Side Outlet Duct Bumper . . . . .	3937174	9.260
3	DUCT, Side Outlet - L.H. . . . .	3937173	9.262
4	HOSE, Side Duct to Adapter (cut as required) . . . . .	1234988	8.762
5	OUTLET, Air Side - R.H. . . . .	3942652	9.262
6	DUCT, Center Outlet . . . . .	3937118	9.262
7	SEAL, Center Outlet Duct - Rear . . . . .	3937135	9.260
8	SHAFT, Center Outlet Valve . . . . .	3940253	9.262
9	SPRING, Center Outlet . . . . .	3955903	9.262
10	LEVER, Center Outlet Valve . . . . .	3940255	9.262
11	OUTLET, Center . . . . .	<b>340436</b>	9.262
12	VALVE, Center Outlet . . . . .	3940252	9.262
13	ADAPTER, Center Outlet Duct . . . . .	3937119	9.262
14	DUCT, Air Distributor . . . . .	3917320	9.262
15	SEAL, Air Distributor Duct - Rear . . . . .	3937137	9.262
16	DUCT, Heater & Air Cond. Air Selector . . . . .	3942609	9.262
17	DUCT, Heater Air Distributor . . . . .	3942642	9.786
18	DISTRIBUTOR, Heater and Defroster . . . . .	3940296	9.262
19	GASKET, Heater & Air Cond. Air Selector Duct . . . . .	3889483	8.854
20	SEAL, Heater Core Tubes to Dash . . . . .	3889484	<b>8.854</b>
21	SEAL, Center Outlet Adapter to L.H. Duct -1971 . . . . .	3939640	9.260
	-1972-74 . . . . .	<b>3929027</b>	<b>9.260</b>
22	VALVE, Air Side Outlet - L.H. . . . .	3940245	9.262
23	SEAL, Side Outlet Adapter . . . . .	3937172	9.260
24	BRACKET, Side Outlet Duct . . . . .	3946959	9.262
25	SEAL, Side Outlet (Cut as required) . . . . .	3942649	9.218
26	ADAPTER, Side Outlet - L.H. . . . .	<b>3998413</b>	9.262


**AIR CONDITIONING—ELECTRICAL**

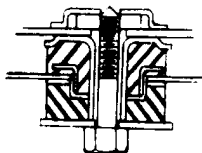
Key	Part Name	Part No.	Group No.
1	HARNESS, Air Cond. Wire—1971 .....	8901892	9.276
	—1972 307 Eng. ....	8908041	9.276
	—1972-74 350 Eng. ....	8910365	9.276
2	SWITCH, Fan Control .....	6273385	9.275
3	SWITCH, Blower Control—Low .....	3973728	8.852
4	HARNESS, Inst. Panel—1971 Exc. Console .....	8907788	2.480
	—1971 With Console .....	8907789	2.480
	—1972 .....	8912234	2.480
	—1973 .....	8912638	2.480
	—1974 .....	8918810	2.480
5	RELAY, Anti-Dieseling Blocking .....	3996204	4.075
6	RELAY, Anti-Dieseling .....	3996203	4.075
7	EXTENSION ASM., Wire .....	6291260	9.276
8	HARNESS, Generator and Forward Lamp—1971 6 Cyl. ....	8904548	2.480
	—1972 6 Cyl. or 307 Eng. ....	8910499	2.480
	—1972 350 Eng. ....	8910500	2.480
	—1973 .....	8910822	2.480
	—1974 Exc. GTO .....	8915117	2.480
—1974 With GTO .....	8915118	2.480	
9	WIRE, Compressor Ground .....	—	N.S.
10	SEAL, Wires at Shroud .....	—	N.S.
11	SWITCH, Ambient Sensor .....	483326	9.275
12	RELAY, Hi-Blower .....	1115881	9.277
13	RESISTOR, Blower Motor—1971-72 .....	3942651	9.275
	—1973-74 .....	6262652	9.275
14	FUSE, Air Cond. In-Line .....	9426331	8.965
15	HARNESS, Air Cond. Wire (1972) (350)—1971 .....	8910892	9.276
	—1972 307 Eng. ....	8908041	9.276
	—1972-74 350 Eng. ....	8910365	9.276
16	LIMITER ASM., Comp. Protection Thermal .....	6556440	9.172



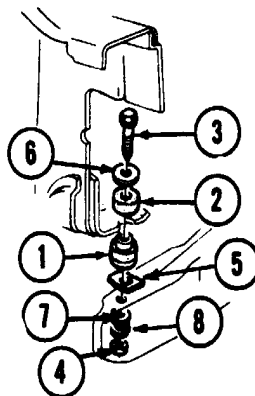
**BODY MOUNTS**



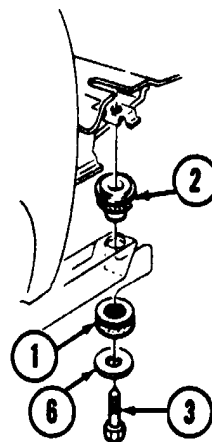
**MOUNT LOCATION**



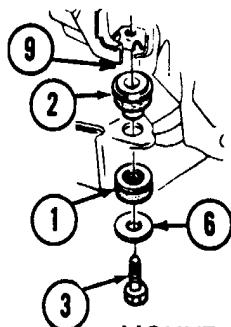
**TYPICAL SECTION**



**MOUNT #1**



**MOUNT #3**



**MOUNT #2**

**1971-72**

Mount	Lower Cushion 1	Upper Cushion 2	Bolt 3	Nut 4	Push Nut 5	Special Washer 6	Washer 7	Lock Washer 8	Spacer 9
#1	3893156	3893159	180190	9414511	3841008	3901365	1305797	103329	—
#2	3914802	3928380	3932784	—	—	3901365	—	—	3920260
#3	3962720	3901361	3912533	—	—	3901365	—	—	—

**1973-74**

Mount	Lower Cushion 1	Upper Cushion 2	Bolt 3	Nut 4	Push Nut 5	Special Washer 6	Washer 7	Lock Washer 8	Spacer 9
#1	3893156	3893159	180190	9414511	3841008	3901365	1305797	103329	—
#2	332654	332610	332620	—	—	3901365	—	—	—
#3	332654	332609	3912533	—	—	3901365	—	—	—