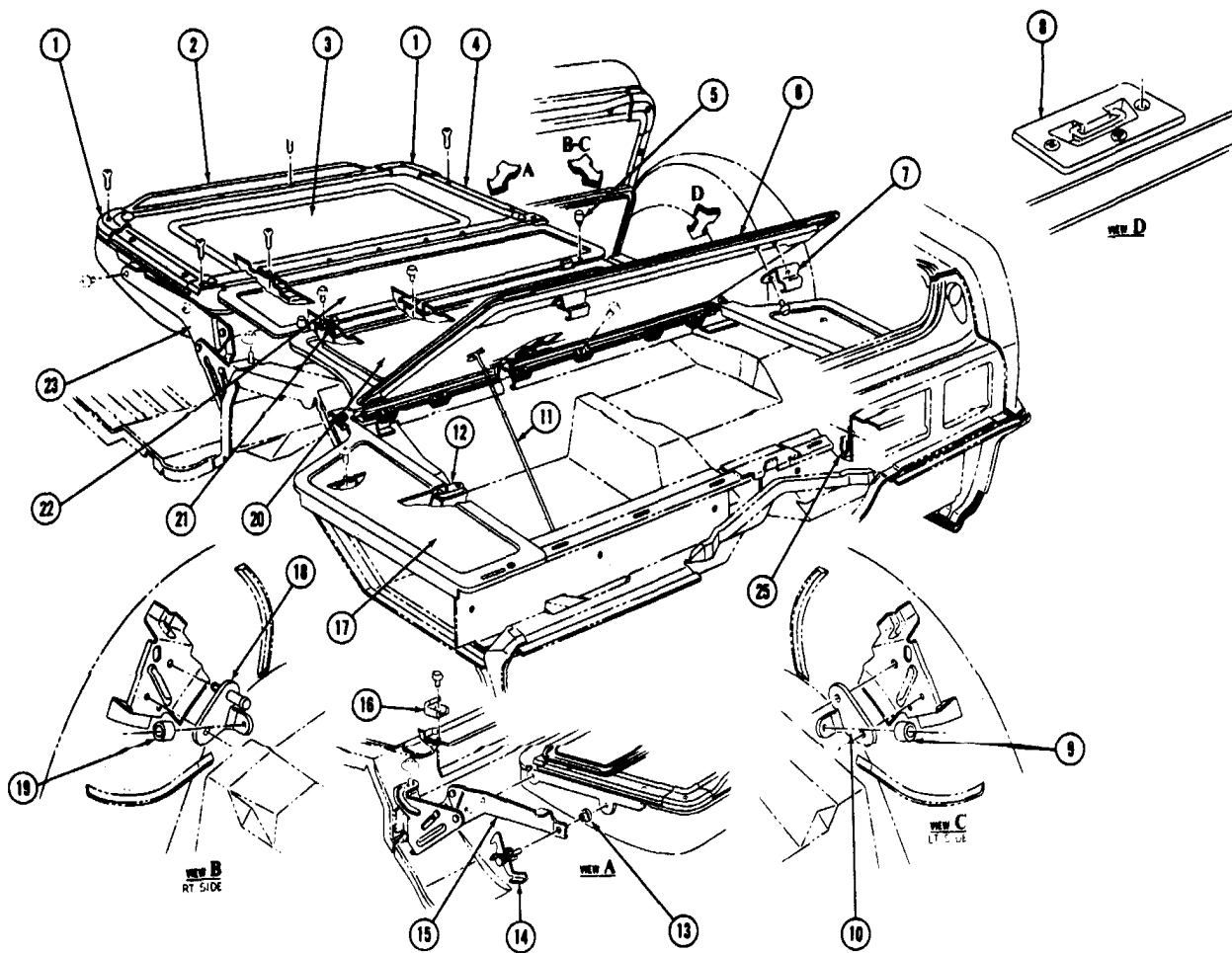


**1973-74 17 STYLES REAR COMPT. TRIM & HARDWARE**

Key	Part Name	Group No.
1	MOLDING, Rear Inner Side	14.651
2	MOLDING, Quarter Window Garnish—Front	11.115
3	HOOK, Coat	15.388
4	COVER ASM., Retractor Shoulder Strap	14.875
5	PANEL, Quarter Trim Finish	12.941
6	PANEL, Compartment Side Trim Finish	15.100
7	SUPPORT ASM., Compartment Lid Counter Balance	12.187
8	COVER, Counter Balance Hole—In Wheelhouse	12.941
9	PANEL, Compartment Rear End Trim Finish	12.975



**1973-74 17 STYLE FOLDING 2nd SEAT & LOAD FLOOR HARDWARE**

Key	Part Name	Group No.	Key	Part Name	Group No.
1	MOLDING, Folding Rear Seat Back		11	SUPPORT, Luggage Compartment Panel	12.977
	Finish—Corner	15.011	12	BUMPER, Luggage Compartment Panel	12.579
2	MOLDING, Folding Rear Seat Back		13	WASHER, Lock to Panel	N.S.
	Finish—Upper	15.011	14	LOCK ASM., Folding Rear Seat Back—RH	11.620
3	PANEL ASM., Folding Rear Seat Back	12.975	15	LINK ASM., Folding Rear Seat Back—RH	11.620
4	MOLDING, Folding Rear Seat Back		16	STOP, Seat Back Filler Panel Retainer—On	
	Finish—Side	15.011		Floor	11.620
5	BUMPER, Folding Rear Seat Back Filler		17	PANEL, Luggage Compartment—Outer	12.975
	Panel	11.381	18	STRIKER ASM., Seat Back Bumper Support—RH	12.941
6	PANEL ASM., Luggage Compartment	12.975	19	BUMPER, Seat Back Panel Support	
7	CLIP, Luggage Compartment Panel Hold-Down	12.579		Striker Asm.	11.620
8	HANDLE, Luggage Compartment Panel Opening	12.977	20	PANEL, Luggage Compartment—Front	12.975
9	BUMPER, Folding Rear Seat Back Panel		21	STOP, Seat Back Filler Panel Retainer—On	
	Support	11.620		Floor	11.620
10	SUPPORT, Folding Rear Seat Back Panel		22	PANEL ASM., Folding Rear Seat Back Filler	12.975
	Bumper—LH	12.941	23	LINK ASM., Folding Rear Seat Back Lock—LH	11.620