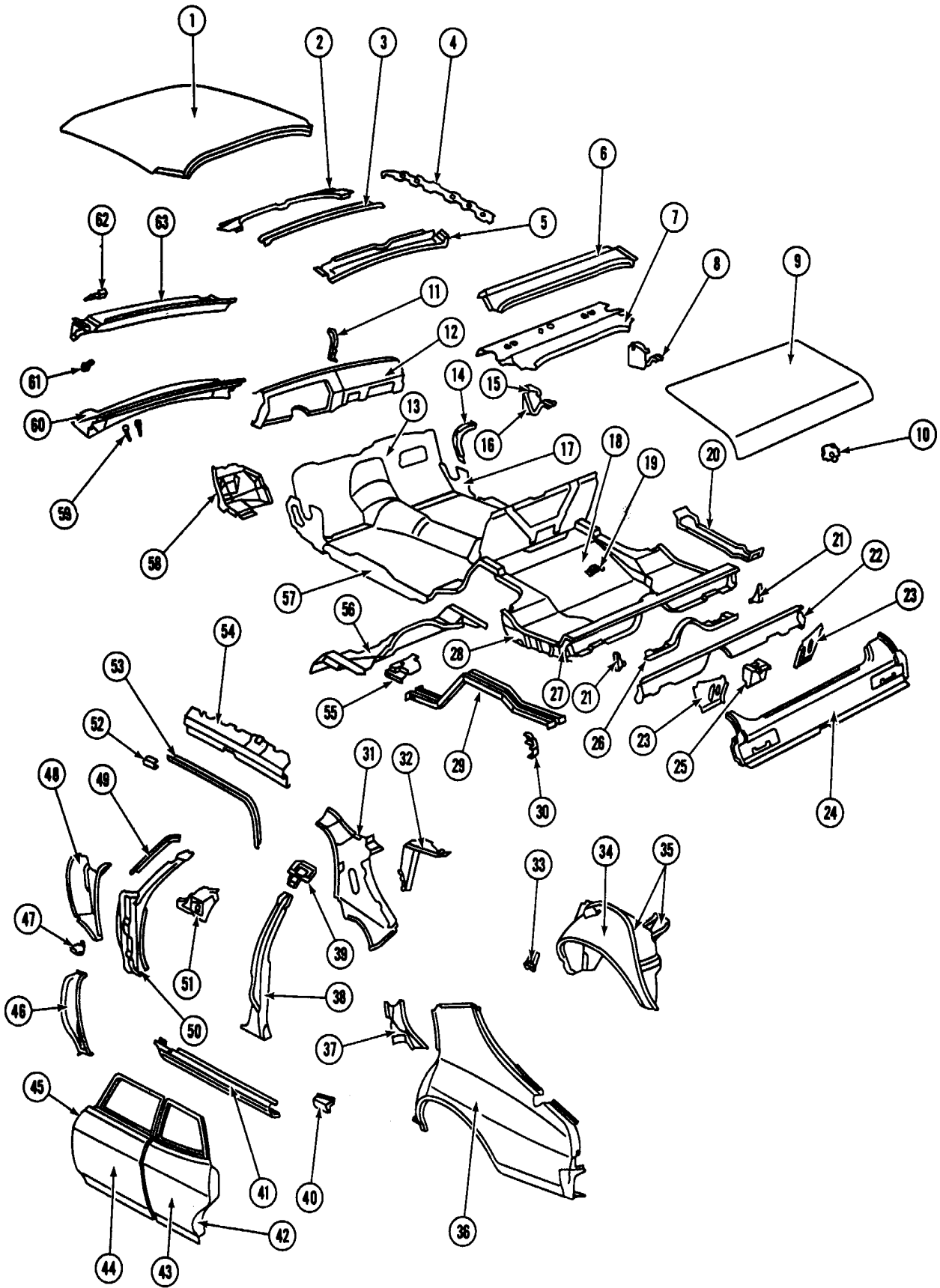


1971-74 27 STYLES SHEET METAL



Key	Part Name	Group No.
1	PANEL, Roof	12.810
2	FRAME ASM., Windshield - Inner Upper	12.807
3	BOW, Roof	12.952
4	BOW, Roof Longitudinal	12.952
5	PANEL, Back Window - Inner	12.964
6	REINFORCEMENT ASM., Rear Seat to Back Window Panel	12.971
7	PANEL, Rear Seat to Back Window	12.971
8	STRAP & LINK ASM., Rear Compartment Lid Hinge	12.187
9	LID ASM., Rear Compartment	12.181
10	STRIKER, Compartment Lid Lock	12.237
11	BRACE, Inst. Panel to Center Duct	10.230
12	PANEL ASM., Instrument	10.230
13	PANEL ASM., Dash (Incl. #59)	12.804
14	DEFLECTOR, Shroud Air Conditioning Blower Water	12.804
15	REINFORCEMENT, Front Body Hinge Pillar to Rocker Panel	12.659
16	PIN, Rear Compartment Lid Hinge	12.186
17	SUPPORT, Rear Compartment Lid Hinge	12.184
18	PAN, Rear Compartment	12.981
19	PLATE, Spare Tire Clamp Anchor	12.981
20	REINFORCEMENT ASM., Compartment Pan - At Fuel Tank	12.981
21	FILLER, Compartment Pan to Rear Cross Bar	12.981
22	RAIL, Rear End Cross - Rear	12.986
23	PLATE, Compartment Lid Lock Striker Anchor	12.237
24	BRACE, Compartment Gutter to Rear Cross Rail	12.996
25	PANEL ASM., Rear End	12.966
26	RAIL, Rear End Cross - Front	12.986
27	EXTENSION, Compartment Pan to Quarter Panel Filler	12.981
28	FILLER, Compartment Pan to Quarter Panel	12.981
29	SUPPORT, Stabilizer Bar End	7.242
30	RAIL ASM., Compartment Pan - Side (Incl. #54)	12.986
31	BRACE, Compartment Side Rail to Rear Rail	12.986
32	RAIL ASM., Side Roof - Inner	12.957
33	PANEL, Rear Quarter - Inner Lower (Part of #35)	12.941
34	EXTENSION, Rear Seat to Back Window Panel	12.971
35	PANEL ASM., Wheelhouse (Incl. #33-36)	12.944
36	PANEL, Wheelhouse - Outer (Part of #35)	12.944
37	FILLER, Quarter Window Lower Rear Corner	12.941
38	PANEL, Quarter - Outer	12.940
39	REINFORCEMENT, Body Lock Pillar Outer Panel	12.942
40	REINFORCEMENT, Rocker Outer Panel - Rear	12.934
41	PANEL, Rocker - Outer	12.934
42	DOOR ASM., Front (Incl. #43)	10.351
43	PANEL ASM., Front Door - Outer (Part of #42)	12.895
44	PANEL, Shroud - Lower	12.804
45	PLATE ASM., Shroud Side Duct Panel Baffle	12.804
46	PANEL, Shroud Vent Duct - Side	12.804
47	MOLDING, Windshield Pillar Drip	12.075
48	PANEL ASM., Front Body Hinge Pillar	12.840
49	REINFORCEMENT ASM., Front Body Hinge Pillar to Duct	12.659
50	ESCUTCHEON, Windshield Pillar Drip Molding	12.075
51	MOLDING, Roof Drip (Part of #53)	12.075
52	PANEL ASM., Body Lock Pillar - Upper	12.942
53	RAIL ASM., Side Roof - Outer (Incl. #51)	12.956
54	REINFORCEMENT, Floor Pan at Rear Spring - Front (Part of #30)	12.980
55	BAR ASM., Compartment Pan Cross - Front	12.981
56	SUPPORT, Stabilizer Bar - On Compartment Pan	12.981
57	PANEL ASM., Rocker - Inner	12.934
58	COVER ASM., Floor Pan - Transmission	12.980
59	BRACE ASM., Dash to Engine Mount Rail (Part of #13)	12.650
60	SUPPORT, Steering Column	6.760
61	PANEL ASM., Shroud Vent Duct - Center	12.804
62	SUPPORT, Windshield Glass	10.027
63	STOP, Front Fender - On Windshield Side Frame	12.808
64	PANEL, Shroud, - Upper	12.804

1971-74 27 STYLES SHEET METAL



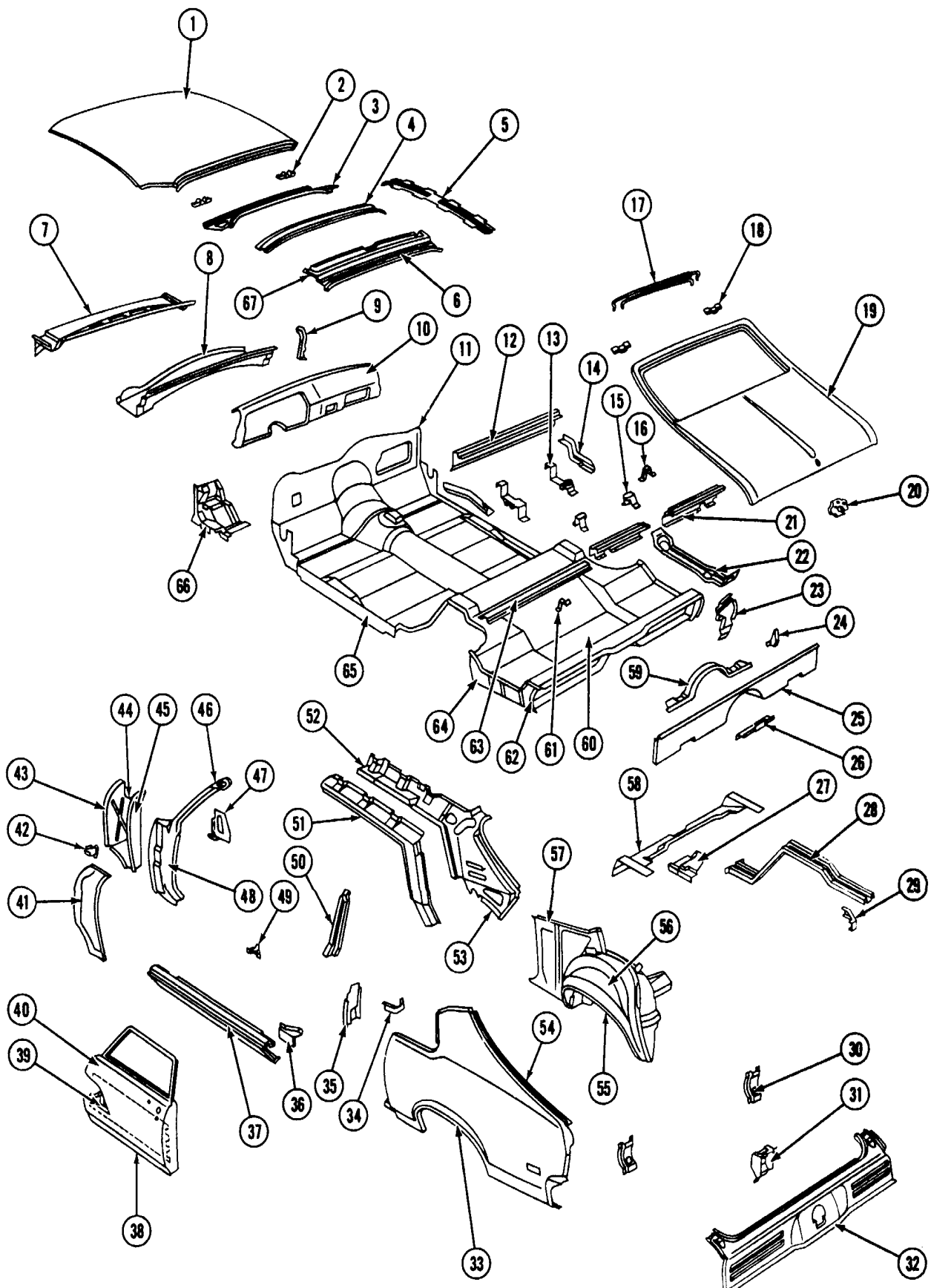
1971-74 69 STYLES SHEET METAL



**VENTURA
PARTS CATALOGUE**

Key	Part Name	Group No.
1	PANEL, Roof	12.810
2	FRAME ASM., Windshield - Inner Upper	12.807
3	BOW, Roof	12.952
4	BOW, Roof Longitudinal	12.952
5	PANEL, Back Window - Inner	12.964
6	REINFORCEMENT ASM., Rear Seat to Back Window Panel	12.971
7	PANEL, Rear Seat to Back Window	12.971
8	STRAP & LINK ASM., Rear Compartment Lid Hinge	12.187
9	LID ASM., Rear Compartment	12.181
10	STRIKER, Compartment Lid Lock	12.237
11	BRACE, Inst. Panel to Center Duct	10.230
12	PANEL ASM., Instrument	10.230
13	PANEL ASM., Dash (Incl. #58)	12.804
14	DEFLECTOR, Shroud Air Conditioning Blower Water	12.804
15	PIN, Rear Compartment Lid Hinge	12.186
16	SUPPORT, Rear Compartment Lid Hinge	12.184
17	REINFORCEMENT, Front Body Hinge Pillar to Rocker Panel	12.659
18	PAN, Rear Compartment	12.981
19	PLATE, Spare Tire Clamp Anchor	12.981
20	REINFORCEMENT ASM., Compartment Pan - At Fuel Tank	12.981
21	FILLER, Compartment Pan to Rear Cross Bar	12.981
22	RAIL, Rear End Cross - Rear	12.986
23	BRACE, Compartment Gutter to Rear Cross Rail	12.996
24	PANEL ASM., Rear End	12.966
25	PLATE, Compartment Lid Lock Striker Anchor	12.237
26	RAIL, Rear End Cross - Front	12.986
27	EXTENSION, Compartment Pan to Quarter Panel Filler	12.981
28	FILLER, Compartment Pan to Quarter Panel	12.981
29	RAIL ASM., Compartment Pan - Side (Incl. #55)	12.986
30	BRACE, Compartment Side Rail to Rear Rail	12.986
31	PANEL, Quarter - Inner	12.941
32	EXTENSION, Rear Seat to Back Window Panel	12.971
33	FILLER, Wheelhouse Inner Front Lower Corner (Part of #35)	12.944
34	PANEL, Wheelhouse - Outer (Part of #35)	12.944
35	PANEL ASM., Wheelhouse (Incl. #33-34)	12.944
36	PANEL, Quarter - Outer	12.940
37	REINFORCEMENT, Body Lock Pillar - At Lock Striker	12.942
38	PILLAR ASM., Center	12.491
39	EXTENSION, Center Pillar - Inner Panel	12.491
40	REINFORCEMENT, Rocker Outer Panel - Rear	12.934
41	PANEL, Rocker - Outer	12.934
42	DOOR ASM., Rear (Incl. #43)	10.373
43	PANEL ASM., Rear Door - Outer (Part of #42)	12.913
44	PANEL ASM., Front Door - Outer (Part of #45)	12.895
45	DOOR ASM., Front (Incl. #44)	10.351
46	PANEL, Shroud - Lower	12.804
47	PLATE ASM., Shroud Side Duct Panel Baffle	12.804
48	PANEL, Shroud Vent Duct - Side	12.804
49	MOLDING, Windshield Pillar Drip	12.075
50	PANEL ASM., Front Body Hinge Pillar	12.840
51	REINFORCEMENT ASM., Front Body Hinge Pillar to Duct	12.659
52	ESCUTCHEON, Windshield Pillar Drip Molding	12.075
53	MOLDING, Roof Drip (Part of #54)	12.075
54	RAIL ASM., Side Roof (Incl. #53)	12.956
55	REINFORCEMENT, Floor Pan At Rear Spring - Front (Part of #29)	12.980
56	BAR ASM., Compartment Pan Cross - Front	12.981
57	PANEL ASM., Rocker - Inner	12.934
58	BRACE ASM., Dash to Engine Mount Rail (Part of #13)	12.650
59	SUPPORT, Steering Column	6.760
60	PANEL ASM., Shroud Vent Duct - Center	12.804
61	SUPPORT, Windshield Glass	10.027
62	STOP, Front Fender - On Windshield Side Frame	12.808
63	PANEL ASM., Shroud - Upper	12.804

GM VENTURA
PARTS CATALOGUE



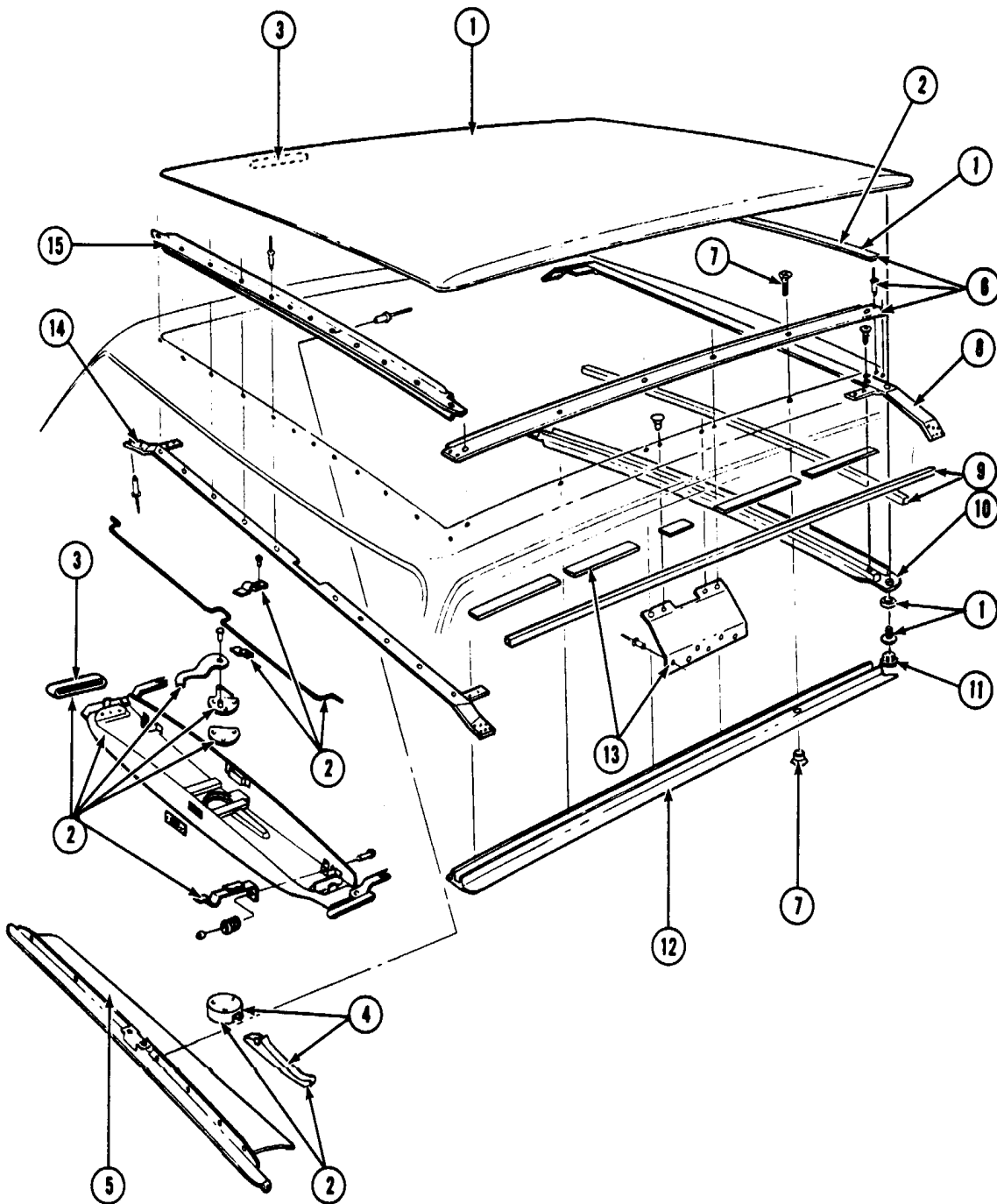
1973 -74 17 STYLES SHEET METAL



VENTURA PARTS CATALOGUE

Key	Part Name	Group No.
1	PANEL, Roof	12.810
2	HINGE ASM., Compartment Lid - Body Side	12.184
3	FRAME ASM., Windshield Inner Upper	12.807
4	BOW, Roof	12.952
5	BOW, Roof Longitudinal	12.952
6	RETAINER, Back Window Trim	14.651
7	PANEL ASM., Shroud - Upper	12.804
8	PANEL ASM., Shroud Vent Duct - Center (Incl. #9)	12.804
9	BRACE, Inst. Panel to Center Duct (Part of #8)	10.230
10	PANEL ASM., Instrument	10.230
11	PANEL ASM., Dash (Incl. #66)	12.804
12	SUPPORT, Luggage Compartment Front Panel	12.977
13	SUPPORT, Jack Column Stowage	12.981
14	REINFORCEMENT, Compartment Pan to Wheelhouse Inner	12.981
15	SUPPORT, Luggage Compartment Panel - Side	12.981
16	SUPPORT, Luggage Compartment Outer Panel	12.977
17	ROD, Compartment Lid Torque	12.187
18	HINGE ASM., Compartment Lid - Lid Side	12.181
19	LID ASM., Compartment	12.181
20	STRIKER, Compartment Lid Lock	12.934
21	SUPPORT, Luggage Compartment Cover Panel - Outer	12.977
22	REINFORCEMENT ASM., Compartment Pan - At Fuel Tank	12.981
23	BRACE, Compartment Center to Rear Cross Rail	12.966
24	FILLER, Compartment Pan to Rear End Center Rail	12.981
25	RAIL, Rear End Cross - Rear	12.986
26	SUPPORT, Luggage Compartment Cover Panel - Rear	12.977
27	REINFORCEMENT, Floor Pan & At Rear Spring - Front	12.986
28	RAIL ASM., Compartment Pan - Side	12.986
29	BRACE, Compartment Side Rail to Rear Rail	12.986
30	SUPPORT, Tail Lamp Mounting Plate	12.975
31	PLATE, Compartment Lid Lock Striker Anchor	12.237
32	PANEL ASM., Rear End	12.966
33	PANEL, Quarter Outer	12.940
34	FILLER, Quarter Window Lower Rear Corner	12.941
35	REINFORCEMENT, Body Lock Pillar Outer Panel	12.942
36	REINFORCEMENT, Rocker Outer Panel - Rear	12.934
37	PANEL, Rocker Outer	12.934
38	PANEL, Front Door - Outer (Part of #40)	12.895
39	BAR ASM., Front Door Outer Panel (Part of #40)	12.895
40	DOOR ASM., Front (Incl. #38 & 39)	10.351
41	PANEL, Shroud - Lower	12.804
42	PLATE ASM., Shroud Vent Duct Side	12.804
43	PANEL, Shroud Vent Duct Side	12.804
44	REINFORCEMENT ASM., Front Body Hinge Pillar to Duct	12.659
45	DEFLECTOR, Shroud Air Cond. Blower Water	12.804
46	SUPPORT, Windshield Glass	10.027
47	REINFORCEMENT, Front Body Hinge Pillar to Rocker	12.942
48	PANEL ASM., Front Body Hinge Pillar	12.840
49	SUPPORT, Front Door Sill Plate	12.934
50	PANEL ASM., Body Lock Pillar - Upper	12.942
51	RAIL ASM., Side Roof - Outer	12.956
52	RAIL ASM., Side Roof - Inner	12.956
53	BRACE ASM., Quarter Inner Upper to Wheelhouse	12.941
54	GUTTER, Compartment Lid Side	12.996
55	PANEL, Wheelhouse - Outer (Part of 56)	12.944
56	PANEL ASM., Wheelhouse (Incl. #55 & 57)	12.944
57	PANEL, Quarter Inner Lower (Part of #56)	12.941
58	BAR ASM., Compartment Cover Panel - Rear	12.977
59	RAIL, Rear End Cross - Front	12.986
60	PAN, Compartment	12.981
61	PLATE, Spare Tire Clamp Anchor	12.981
62	EXTENSION, Compartment Pan to Quarter Panel Filler	12.981
63	SUPPORT, Luggage Compartment Cover Panel Hinge	12.977
64	FILLER, Compartment Pan to Quarter Panel	12.981
65	PANEL ASM., Rocker - Inner	12.934
66	BRACE ASM., Dash to Frame Rail (Part of #11)	12.650
67	GUTTER ASM., Compartment Lid - Upper	12.966

1973 -74 17 STYLES SHEET METAL



SUN ROOF TOP

Key	Part Name	Group No.
1	REPAIR PKG., Sun Roof Outer Cover	12.809
2	REPAIR PKG., Headliner & Bow Asm.	12.809
3	REPAIR PKG., Sun Roof Sliders	12.809
4	REPAIR PKG., Pivot Hub & Handle Asm.	12.809
5	PANEL, Sun Roof Deflector	12.809
6	REPAIR PKG., Upper Side Channel	12.809
7	REPAIR PKG., Side Rail Mounting	12.809
8	STIFFENER, Sun Roof — Rear	N.S.
9	RETAINER, Side & Rear Insulator	N.S.
10	MOLDING, Sun Roof — Rear	N.S.
11	PLUG, Access Hole	N.S.
12	MOLDING, Sun Roof — Side	N.S.
13	STIFFENER, Sun Roof — Side	N.S.
14	STIFFENER, Sun Roof — Front	N.S.
15	RETAINER, Front Upper Roof	N.S.