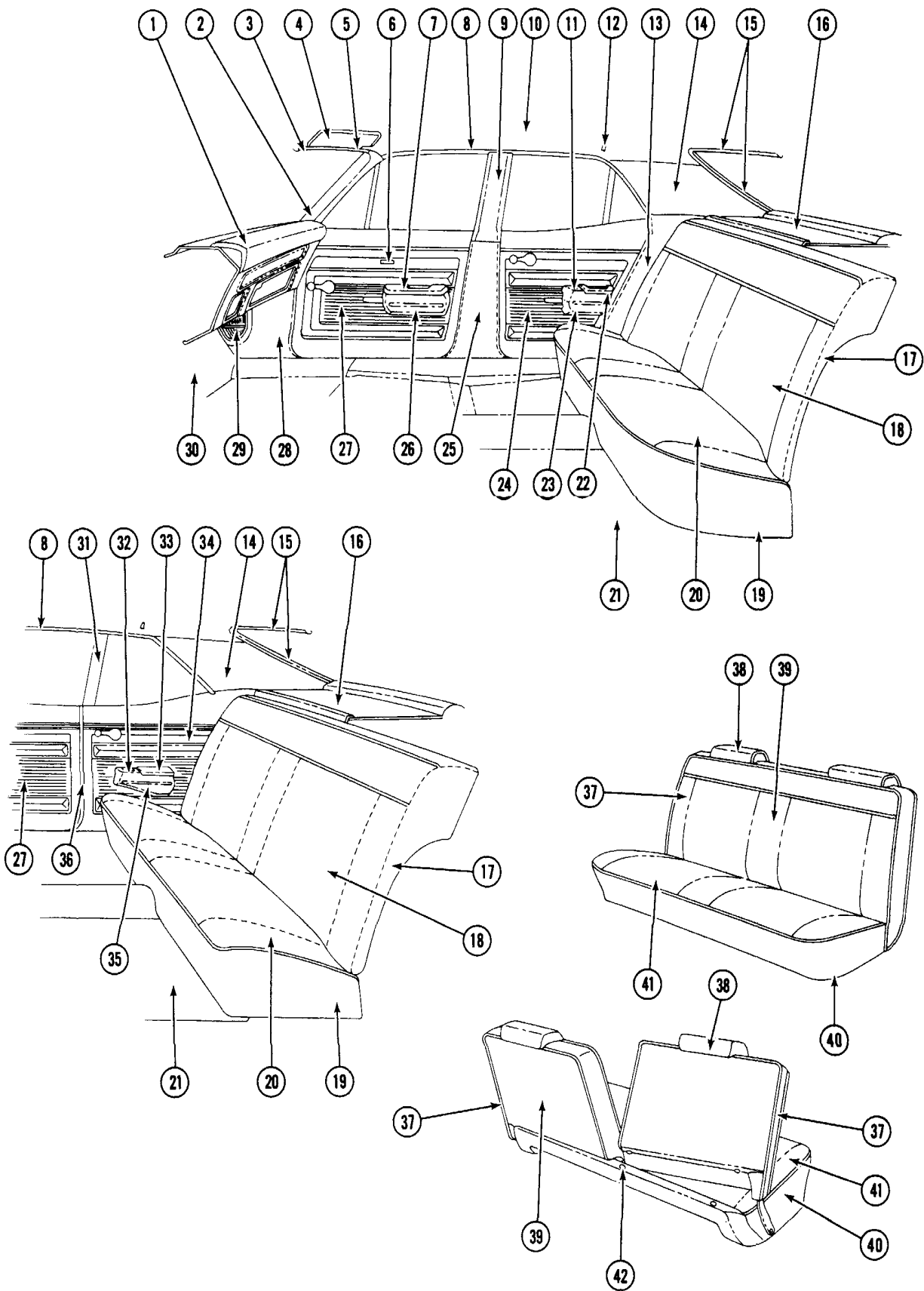


**FRONT SEAT HEAD RESTRAINTS**

Key	Part Name	Group No.
1	COVER ASM., Seat Back Head Restraint . . . . .	14.924
2	PAD & PANEL ASM., Seat Back Head Restraint . . . . .	14.924
3	PANEL, Head Restraint Finish . . . . .	11.376
4	SCREW, Finish Panel to Panel . . . . .	N.S.
5	ESCUTCHEON ASM., Head Restraint Support Finish . . . . .	11.376
6	SCREW, Support Escutcheon to Retainer . . . . .	N.S.
7	RETAINER, Restraint Panel Support Escutcheon . . . . .	11.376
8	SCREW, Retainer to Tube . . . . .	N.S.
9	NUT, Escutcheon Retainer to Tube . . . . .	N.S.
10	ROLLER ASM., Restraint Panel Support Guide . . . . .	11.376
11	TUBE, Head Restraint Support Guide . . . . .	11.376
12	SCREW, Guide Tube to Frame . . . . .	N.S.
13	RESTRAINT ASM., Seat Back Head . . . . .	14.924
14	NUT, Guide Tube to Reinforcement . . . . .	N.S.
15	TUBE, Restraint Support Guide . . . . .	11.376



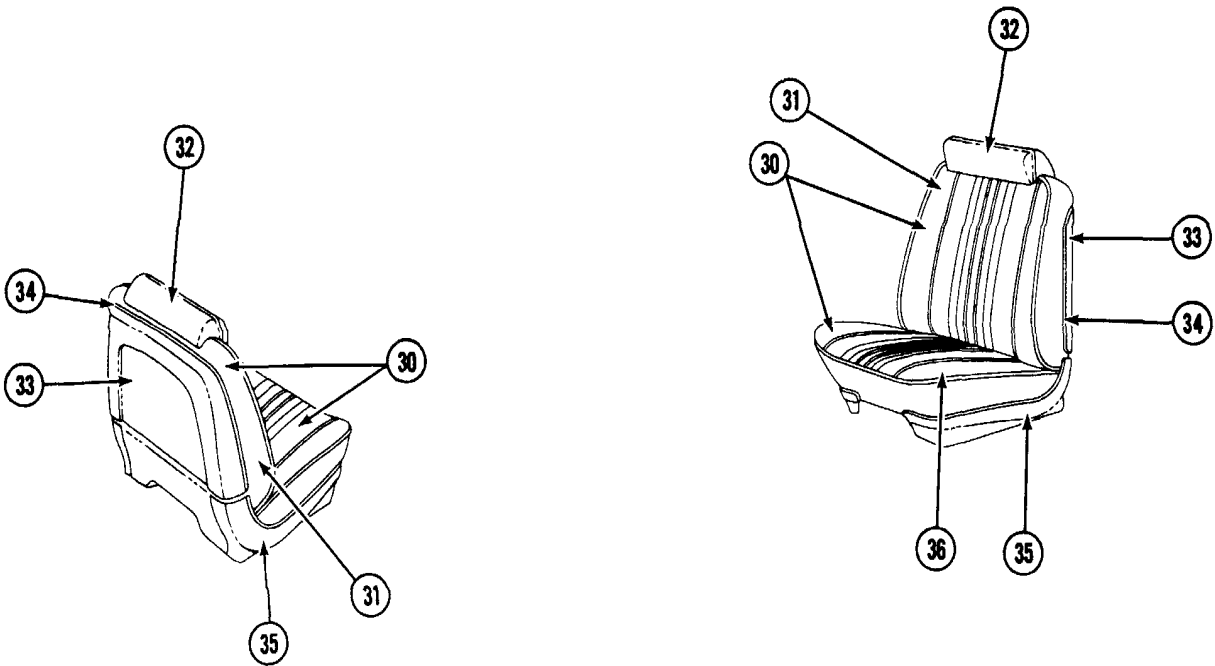
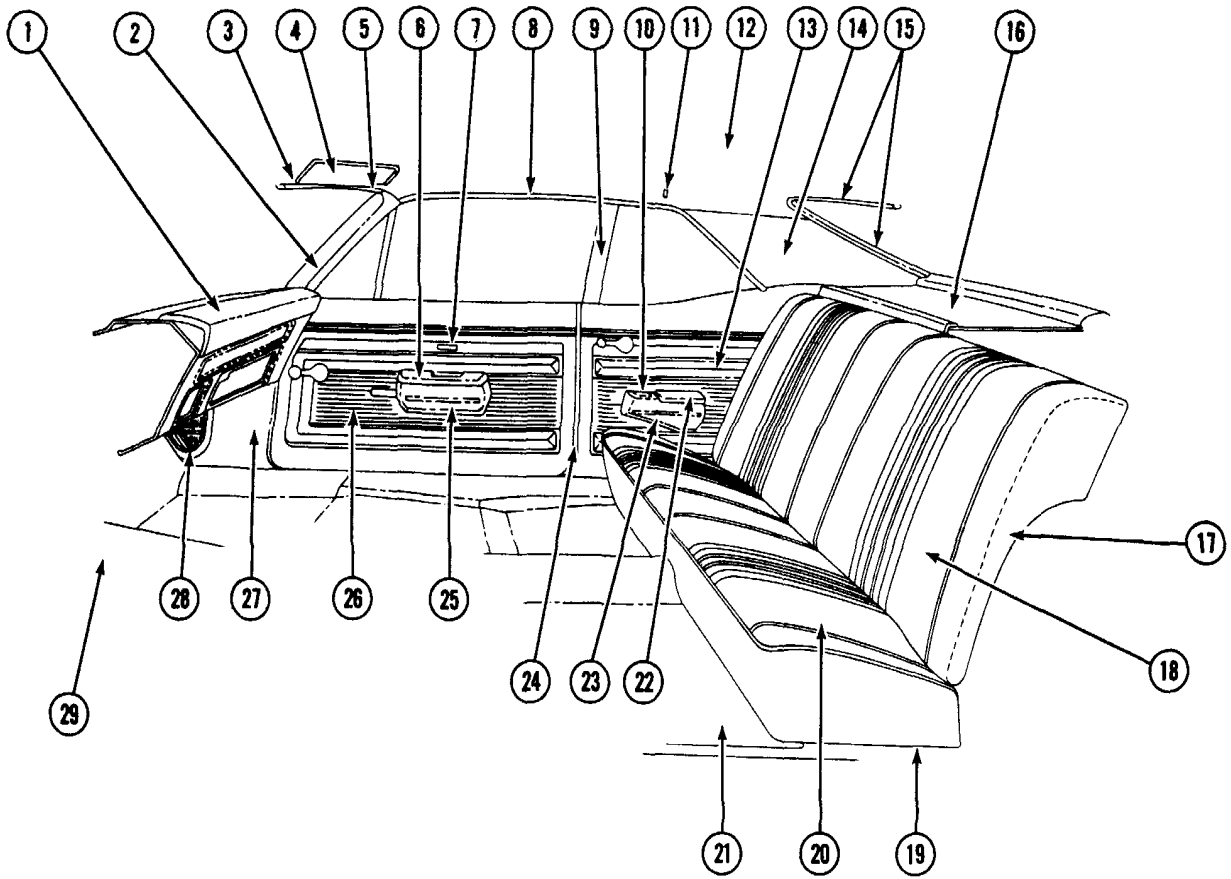
1971-72 (27 & 69 STYLES) INTERIOR TRIM (STANDARD)



Key	Part Name	Group No.
1	COVER, Instrument Panel . . . . .	14.655
2	MOLDING, Windshield Garnish - Side . . . . .	10.051
3	LACE, Windshield Upper Trim Finish . . . . .	14.650
4	SUNSHADE ASM. . . . .	10.203
5	SUPPORT, Sunshade . . . . .	10.219
6	PLATE, Front Door Trim Pad Name . . . . .	14.691
7	COVER, Front Door Arm Rest . . . . .	14.686
8	LACE, Side Roof Rail Trim Finish . . . . .	14.650
9	COVER, Center Pillar - Upper . . . . .	14.730
10	TRIM ASM., Headlining . . . . .	14.640
11	TRAY ASM., Rear Door Arm Rest Ash . . . . .	12.045
12	HOOK, Coat . . . . .	15.388
13	PANEL, Quarter Inner Finish . . . . .	15.101
14	TRIM, Rear Quarter Upper - Above Belt . . . . .	14.645
15	LACE, Back Window - Upper & Side Trim Finishing . . . . .	14.650
16	TRIM ASM., Rear Seat to Back Window . . . . .	14.640
17	BACK, Rear Seat . . . . .	14.998
18	COVER, Rear Seat Back . . . . .	15.000
19	CUSHION, Rear Seat . . . . .	15.033
20	COVER, Rear Seat Cushion . . . . .	15.035
21	MAT, Rear Floor - Rubber . . . . .	15.306
22	COVER, Rear Door Arm Rest . . . . .	14.762
23	BASE, Rear Door Arm Rest . . . . .	14.762
24	TRIM, Rear Door . . . . .	14.760
25	COVER, Center Pillar - Lower . . . . .	14.730
26	BASE, Front Door Arm Rest . . . . .	14.686
27	TRIM, Front Door . . . . .	14.685
28	PANEL, Shroud (Plastic) . . . . .	14.630
29	GRILLE, Shroud Panel - Part Of Key # 22 . . . . .	N.S.S.
30	MAT, Front Floor - Rubber . . . . .	15.286
31	MOLDING, Quarter Window Garnish - Front . . . . .	11.119
32	TRAY ASM., Rear Quarter Arm Rest Ash . . . . .	12.045
33	COVER, Rear Quarter Arm Rest . . . . .	15.108
34	TRIM, Rear Quarter . . . . .	15.100
35	BASE, Rear Quarter Arm Rest . . . . .	15.108
36	LACE, Body Lock Pillar Pinch Weld Finishing . . . . .	14.735
37	BACK, Front Seat . . . . .	14.799
38	COVER, Passenger & Driver Seat Back Head Restraint . . . . .	14.924
39	COVER, Front Seat Back . . . . .	14.800
40	CUSHION, Front Seat . . . . .	14.878
41	COVER, Front Seat Cushion . . . . .	14.880
42	BUMPER, Front Seat Back Frame . . . . .	11.381

**1971-72 (27 & 69 STYLES) INTERIOR TRIM (STANDARD)**

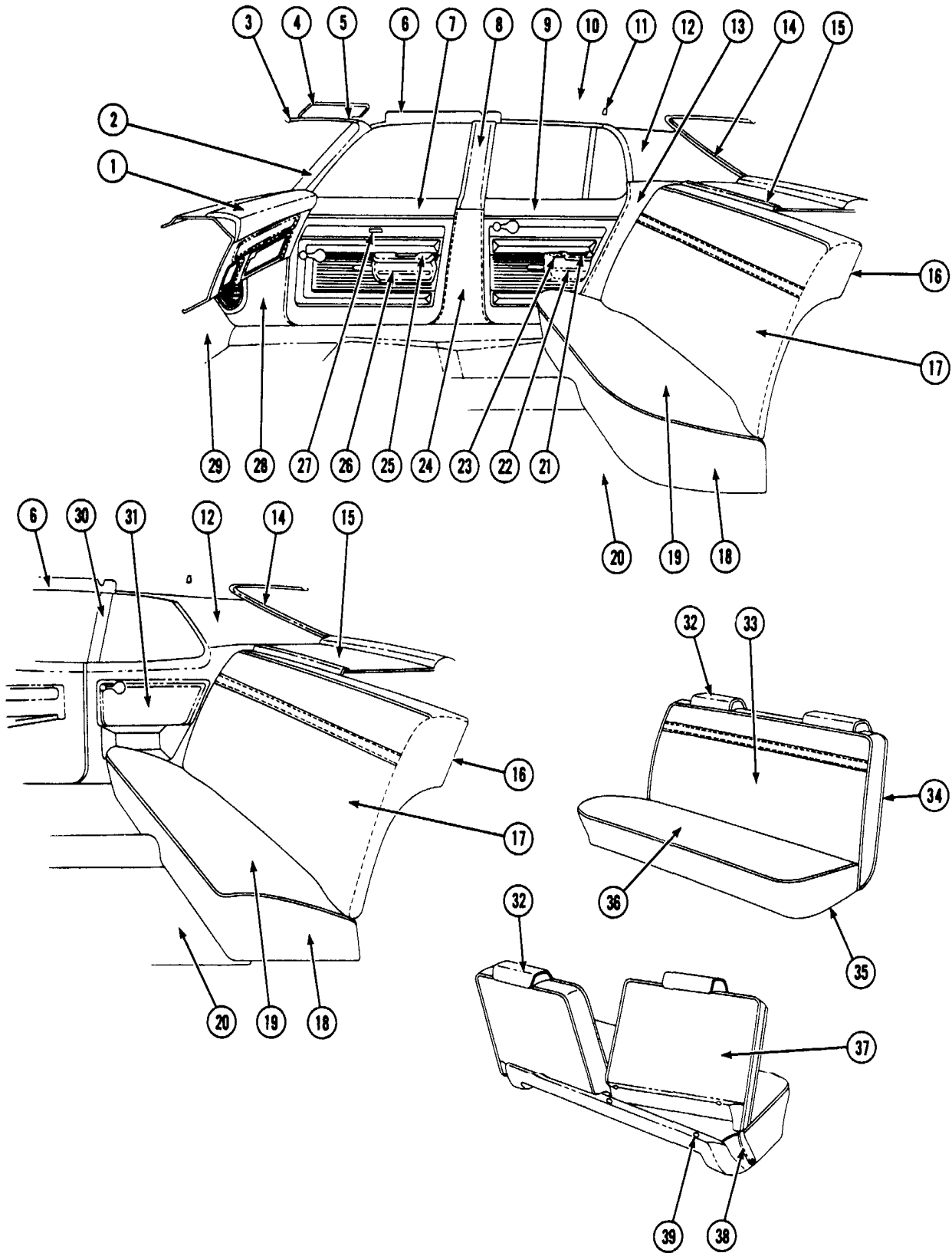
**GM VENTURA PARTS CATALOGUE**



**1971-72 (27 STYLE) INTERIOR TRIM (CUSTOM)**

Key	Part Name	Group No.
1	COVER, Instrument Panel . . . . .	14.655
2	MOLDING, Windshield Garnish Side . . . . .	10.051
3	LACE, Windshield Upper Trim Finish . . . . .	14.650
4	SUNSHADE ASM. . . . .	10.203
5	SUPPORT, Sunshade . . . . .	10.219
6	COVER, Front Door Arm Rest . . . . .	14.686
7	EMBLEM, Front Door Trim Pad . . . . .	14.691
8	LACE, Side Roof Rail Trim Finishing . . . . .	14.650
9	MOLDING, Quarter Window Garnish - Front . . . . .	11.119
10	TRAY ASM., Rear Quarter Ash . . . . .	12.045
11	HOOK, Coat . . . . .	15.388
12	TRIM ASM., Headlining . . . . .	14.640
13	TRIM, Rear Quarter . . . . .	15.100
14	TRIM, Rear Quarter Upper - Above Belt . . . . .	14.645
15	LACE, Back Window Upper & Side Trim Finishing . . . . .	14.650
16	TRIM ASM., Rear Seat to Back Window . . . . .	14.640
17	COVER, Rear Seat Back . . . . .	15.000
18	BACK, Rear Seat . . . . .	14.998
19	CUSHION, Rear Seat . . . . .	15.033
20	COVER, Rear Seat Cushion . . . . .	15.035
21	CARPET, Rear Floor . . . . .	15.306
22	COVER, Rear Quarter Arm Rest . . . . .	15.108
23	BASE, Rear Quarter Arm Rest . . . . .	15.108
24	LACE, Body Lock Pillar Pinchweld Finishing . . . . .	14.735
25	BASE, Front Door Arm Rest . . . . .	14.686
26	TRIM, Front Door . . . . .	14.685
27	PANEL, Shroud - Plastic . . . . .	14.630
28	GRILLE, Shroud Panel .Part of Key #27 . . . . .	<b>N.S.S.</b>
29	CARPET, Front Floor . . . . .	15.286
30	SEAT ASM., Complete . . . . .	14.896
31	COVER, Driver & Passenger Back . . . . .	14.800
32	HEAD RESTRAINT, Driver & Passenger Seat . . . . .	14.924
33	PANEL, Passenger & Driver Seat Back . . . . .	11.358
34	MOLDING, Seat Back Panel Finish . . . . .	14.818
35	PANEL, Driver & Passenger Seat Side - Inner & Outer . . . . .	11.362
36	COVER, Driver & Passenger Cushion . . . . .	14.880

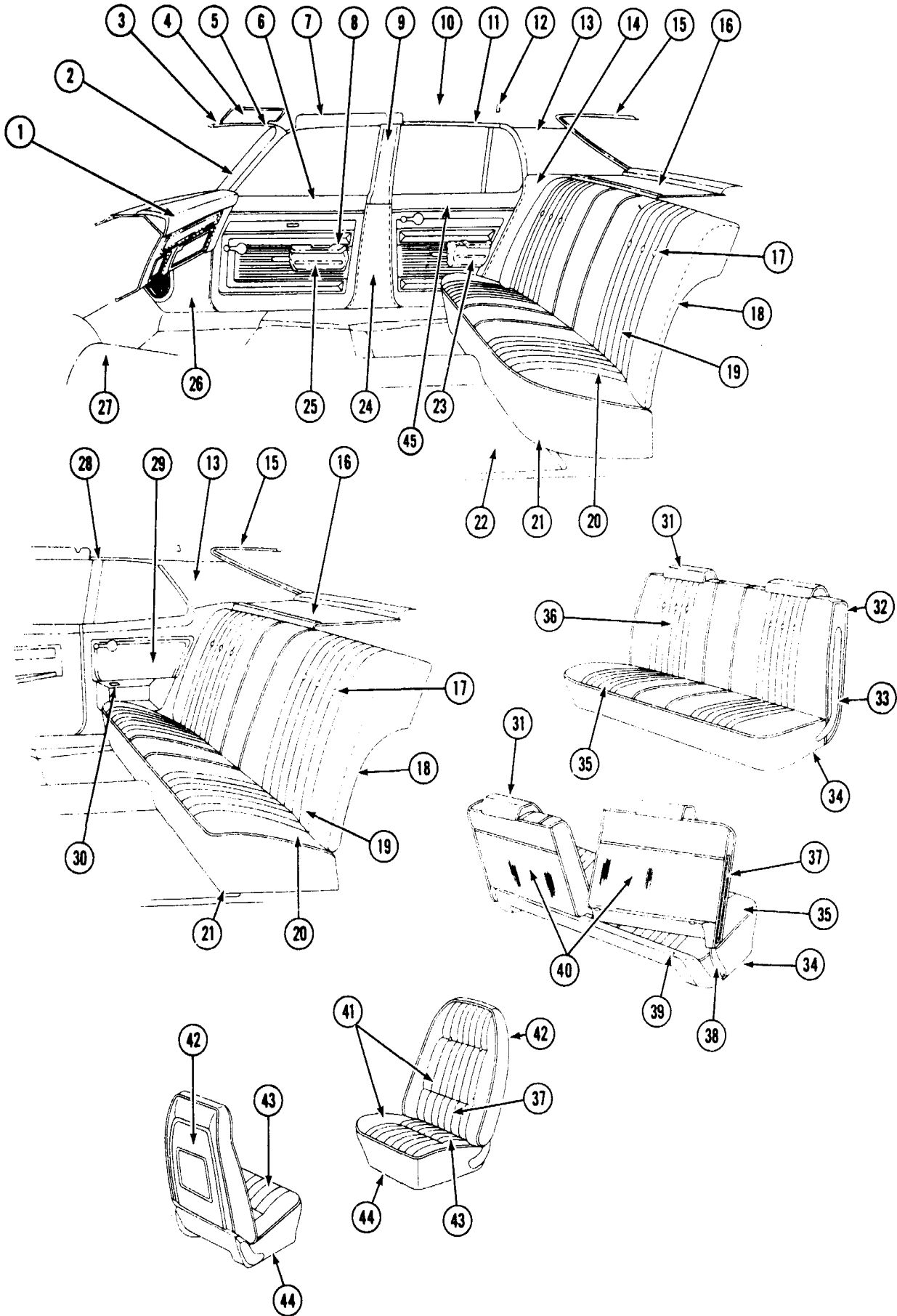
**1971-72 (27 STYLE) INTERIOR TRIM (CUSTOM)**



1973-74 INTERIOR TRIM (STANDARD)

Key	Part Name	Group No.
1	COVER, Instrument Panel .....	14.655
2	MOLDING, Windshield Garnish - Side .....	10.051
3	MOLDING, Windshield Garnish - Upper .....	10.051
4	SUNSHADE ASM. ....	10.203
5	SUPPORT, Sunshade .....	10.219
6	MOLDING, Roof Inner Side .....	14.651
7	TRIM PAD, Front Door .....	14.685
8	COVER, Center Pillar - Upper .....	14.730
9	TRIM PAD, Rear Door .....	14.760
10	TRIM ASM., Headlining .....	14.640
11	HOOK, Coat .....	15.388
12	PANEL, Quarter Upper - Above Belt Trim Finish .....	12.941
13	PANEL, Quarter Inner Finish .....	15.101
14	MOLDING, Back Window Garnish - Upper .....	11.120
15	TRIM ASM., Rear Seat to Back Window .....	15.024
16	FRAME, Rear Seat Back .....	11.628
	PAD, Rear Seat Back .....	15.002
17	COVER, Rear Seat Back .....	15.000
18	FRAME, Rear Seat Cushion .....	11.610
	PAD, Rear Seat Cushion .....	15.036
19	COVER, Rear Seat Cushion .....	15.035
20	MAT, Rear Floor .....	15.306
21	COVER, Rear Door Arm Rest .....	14.762
22	BASE, Rear Door Arm Rest .....	14.762
23	ASH TRAY ASM., Rear Door Arm Rest .....	12.045
24	COVER, Center Pillar - Lower .....	14.730
25	COVER, Front Door Arm Rest .....	14.686
26	BASE, Front Door Arm Rest .....	14.686
27	PLATE, Front Door Trim Pad Name .....	14.691
28	PANEL, Shroud Side Finish .....	14.630
29	MAT, Front Floor .....	15.286
30	MOLDING, Quarter Window Garnish - Front .....	11.119
31	PANEL, Quarter Trim Finish .....	12.941
32	COVER, Passenger & Driver Seat Back Head Restraint .....	14.924
33	COVER, Front Seat Back .....	14.800
34	PANEL, Front Seat Back .....	11.373
	PAD, Front Seat Back .....	14.802
35	FRAME & SPRING, Front Seat Bottom .....	11.419
	PAD, Front Seat Bottom .....	14.890
36	COVER, Front Seat Cushion .....	14.880
37	PANEL ASM., Passenger & Driver Seat Back .....	11.373
	PAD, Passenger & Driver Seat Back .....	14.802
38	COVER, Seat Hinge Outer .....	11.375
39	BUMPER, Front Seat Back Frame .....	11.381

**1973-74 INTERIOR TRIM (STANDARD)**



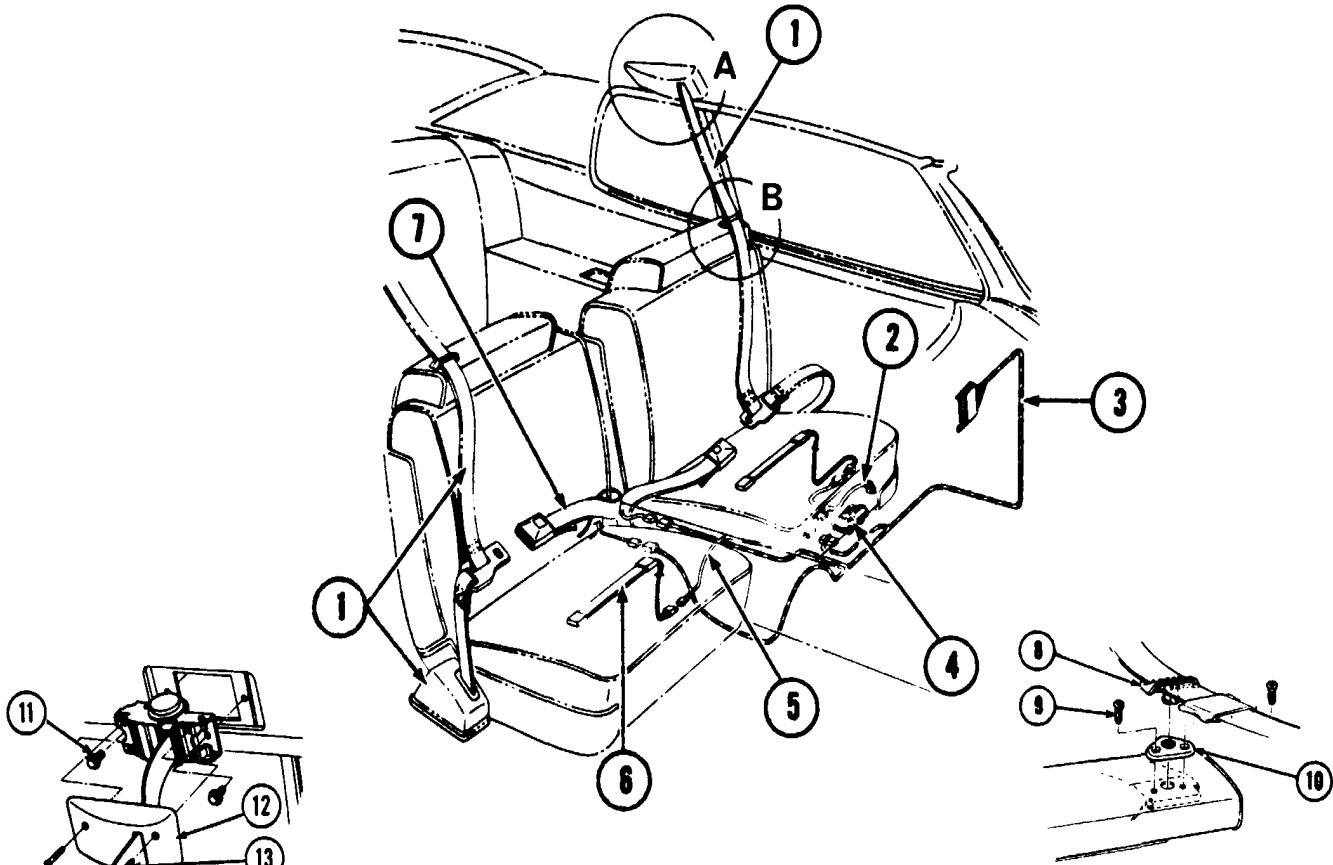
1973-74 INTERIOR TRIM (CUSTOM)





Key	Part Name	Group No.
1	COVER, Instrument Panel	14.655
2	MOLDING, Windshield Garnish - Side	10.051
3	MOLDING, Windshield Garnish - Upper	10.051
4	SUNSHADE ASM.	10.203
5	SUPPORT, Sunshade	10.219
6	TRIM PAD, Front Door	14.685
7	MOLDING, Roof Inner Side	14.651
8	COVER, Front Door Arm Rest	14.686
9	COVER, Center Pillar - Upper	14.730
10	TRIM ASM., Headlining	14.640
11	COVER, Rear Door Arm Rest	14.762
12	HOOK, Coat	15.388
13	PANEL, Quarter Upper Trim Finish	14.645
14	PANEL, Quarter Finish Inner	15.101
15	MOLDING, Back Window Upper Garnish	11.120
16	TRIM ASM., Rear Seat to Back Window	15.024
17	BUTTON, Seat Back Trim	14.804
18	FRAME, Rear Seat Back	11.628
	PAD, Rear Seat Back	15.002
19	TRIM, Rear Seat Back	15.000
20	TRIM, Rear Seat Cushion	15.035
21	FRAME, Rear Seat Cushion	11.610
	PAD, Rear Seat Cushion	15.036
22	CARPET, Rear Floor	15.306
23	BASE, Rear Door Arm Rest	14.762
24	COVER, Center Pillar - Lower	14.730
25	BASE, Front Door Arm Rest	14.686
26	PANEL, Shroud (Plastic)	14.630
27	CARPET, Front Floor	15.286
28	MOLDING, Quarter Window Garnish - Front	11.119
29	TRIM, Rear Quarter	15.100
30	ASH TRAY ASM., Rear Quarter	12.045
31	COVER, Passenger & Driver Seat Back Head Restraint	14.924
32	PANEL, Front Seat Back	11.373
	PAD, Front Seat Back	14.802
33	MOLDING, Passenger & Driver Seat Back - Outer	14.818
34	SPRING & FRAME, Front Seat Bottom	11.419
	PAD, Front Seat Bottom	14.890
35	COVER, Front Seat Cushion	14.880
36	COVER, Front Seat Back	14.800
37	COVER, Driver & Passenger Seat Back	14.800
38	COVER, Seat Outer Hinge	11.375
39	BUMPER, Front Seat Back Frame	11.381
40	PANEL ASM., Passenger & Driver Seat Back	11.373
	PAD, Passenger & Driver Seat Back	14.802
41	SEAT, Front Bucket (Complete)	14.896
42	FRAME ASM., Passenger & Driver Seat Back	11.362
	PAD, Passenger & Driver Seat Back	14.802
	PAD & WIRE, Passenger & Driver Seat Back	14.802
43	COVER, Passenger & Driver Cushion	14.880
44	SPRING & FRAME ASM., Passenger & Driver Seat Bottom Support	11.419
	PAD & WIRE, Passenger & Driver Seat Bottom Support	14.890
45	PAD, Rear Door Trim	14.760

1973-74 INTERIOR TRIM (CUSTOM)



**1974 SEAT BELT INTERLOCK SYSTEM**

VIEW A

VIEW B

Key	Part Name	Group No.
1	BELT, Shoulder Retractor Side .....	14.875
2	HARNESS ASM., Ignition Interlock System—In Seat .....	13.090
3	HARNESS ASM., Ignition Interlock—On Front End .....	13.090
4	LOGIC ASM., Ignition Interlock System .....	14.875
5	HARNESS ASM., Seat Sensor Jumper—On Under Body .....	13.090
6	SWITCH ASM., Sensor Belt Warning .....	14.875
7	BELT, Passenger & Driver Side .....	14.875
8	GUIDE ASM., Seat Back Shoulder Strap .....	14.875
9	SCREW, Escutcheon to Seat Back .....	N.S.
10	ESCUTCHEON, Seat Back Shoulder Strap .....	14.875
11	SCREW, Strap Retractor to Roof Inner Panel .....	14.875
12	COVER, Shoulder Strap Retractor .....	14.875
13	SCREW, Retractor Cover to Retractor .....	N.S.