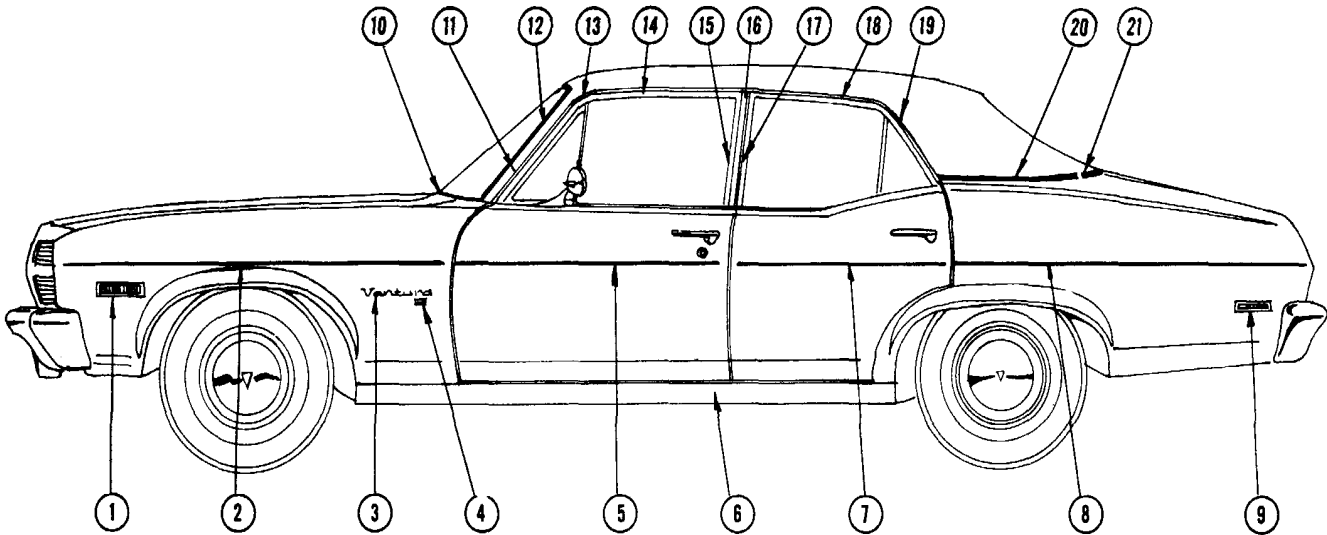


1971-72 2 DOOR COUPE

Key	Description	Part No.	Qty.	Group
1	Bezel	484317	2	2.575
2	Stripe:			
	—White	485779-80	1	8.147
	—Black	485781-2	1	8.147
	—Gold	485783-4	1	8.147
3	Plate, "Ventura"	479192	2	8.147
4	Plate, "II"	485605	2	8.147
5	Stripe:			
	—White	485773-4	1	12.112
	—Black	485775-6	1	12.112
	—Gold	485777-8	1	12.112
6	Moulding, Rocker	485604	2	8.304
7	Stripe:			
	—White	485767-8	1	12.116
	—Black	485769-70	1	12.116
	—Gold	485771-2	1	12.116

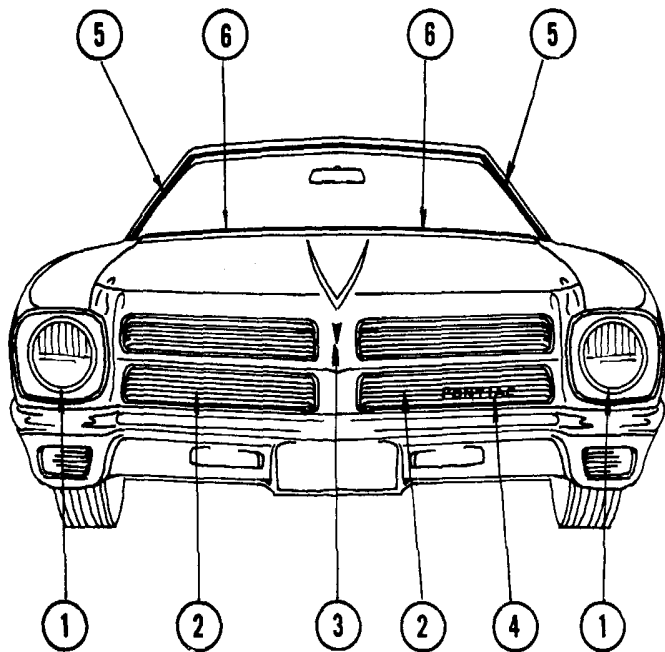
Key	Description	Part No.	Qty.	Group
8	Bezel	484902	2	2.575
9	Moulding	8780430-1	1	10.093
10	Scalp	7740281-2	1	12.075
11	Moulding	7738570-1	1	10.093
12	Escutcheon	7664482	2	12.075
13	Moulding	7734630-1	1	10.707
14	Scalp	7738095-6	1	12.075
15	Moulding	7736055-6	1	10.707
16	Moulding	7783017-8	1	11.031
17	Moulding	7748137-8	1	11.031
18	Scalp	7741463-4	1	12.075
19	Moulding	3940510-09	1	12.116
20	Moulding	3940512-1	1	12.116



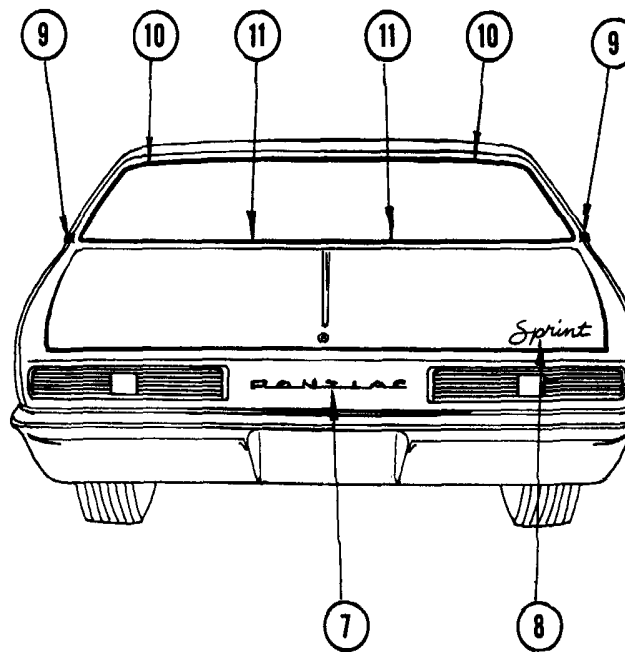
1971-72 4 DOOR SEDAN

Key	Description	Part No.	Qty.	Group
1	Bezel	484317	2	2.575
2	Moulding-1971	3953842-1	1	8.132
	-1972	3998390-89	1	8.132
3	Plate, "Ventura"	479192	2	8.147
4	Plate, "11"	485605	2	8.147
5	Moulding:	8705637-8	1	12.112
6	Moulding	485604	2	8.304
7	Moulding:	See Data	2	12.114
8	Moulding: Black Painted Insert	8705642	2	12.116
9	Bezel	484902	2	2.575

Key	Description	Part No.	Qty.	Group
10	Moulding	8780430-1	1	10.093
11	Scalp	7722776-7	1	12.075
12	Moulding	7722901-2	1	10.093
13	Escutcheon	7664482	2	12.075
14	Moulding	7734172-3	1	10.707
15	Moulding	7734782-3	1	10.707
16	Moulding	7737938-9	1	12.113
17	Scalp	7738112-3	1	10.707
18	Scalp	7719293-4	1	12.075
19	Moulding	7735736-7	1	10.772
20	Moulding, Belt—Front	3940508-7	1	12.116
21	Moulding, Belt—Rear	3940512-1	1	12.116



FRONT VIEW

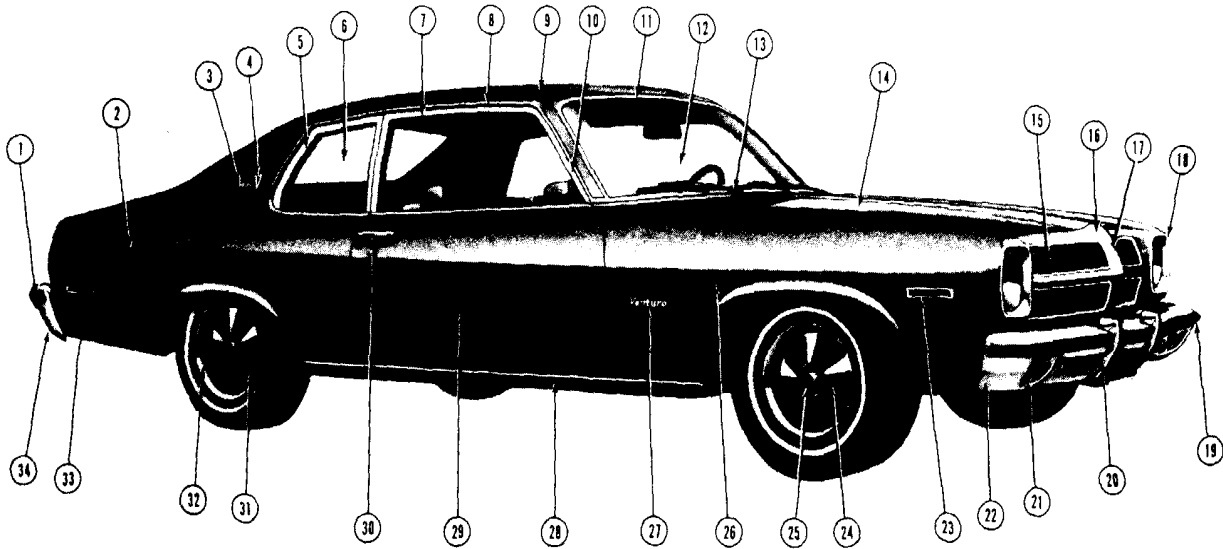


REAR VIEW

1971-72

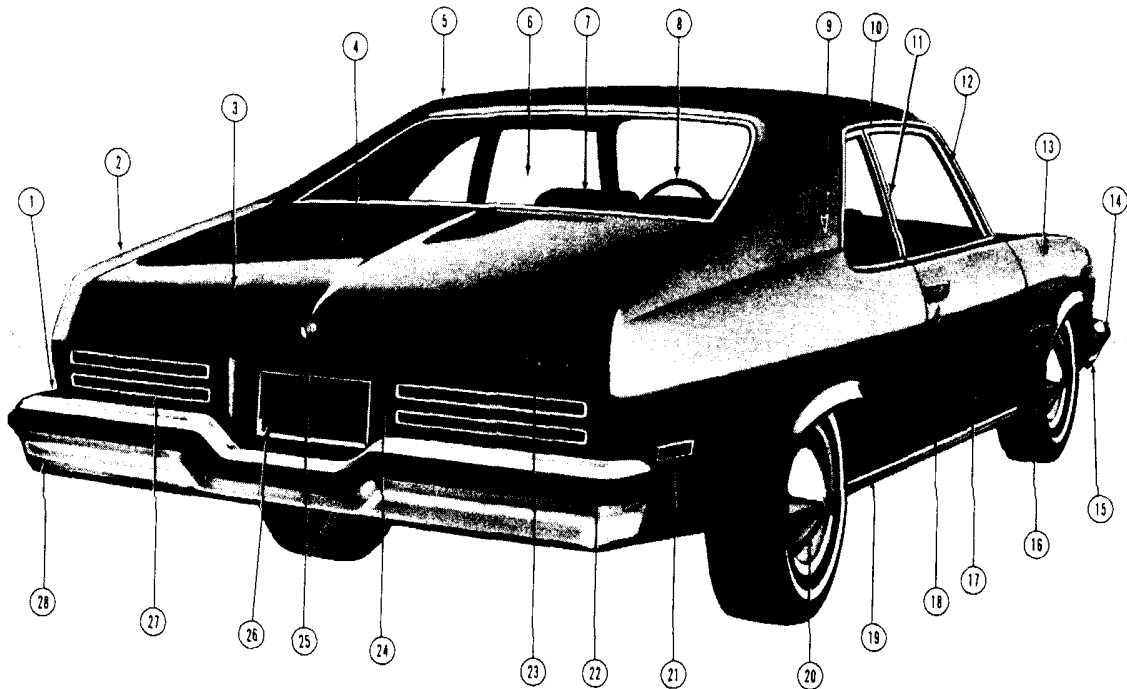
Key	Description	Part No.	Qty.	Group
1	Bezel	486559	2	2.728
2	Grille—Right	484428-9	1	1.266
3	Emblem	485603	1	1.303
4	Emblem, "Pontiac"	485602	1	1.303
5	Moulding, (-27).....	7738570-1	1	10.093
	(-69).....	7722901-2	1	10.093
6	Moulding	8780430-1	1	10.093
7	Plate, "Pontiac"	8705560	2	12.182

Key	Description	Part No.	Qty.	Group
8	Decal, "Sprint"			
	—White	485934	1	12.182
	—Black	485935	1	12.182
	—Gold	485936	1	12.182
9	Moulding	3940512-1	1	12.116
10	Moulding, (-27).....	7741472-3	1	11.208
	(-69).....	7722526-7	1	11.208
11	Moulding-1971	8775865-6	1	11.208
	-1972	9891474-5	1	11.208



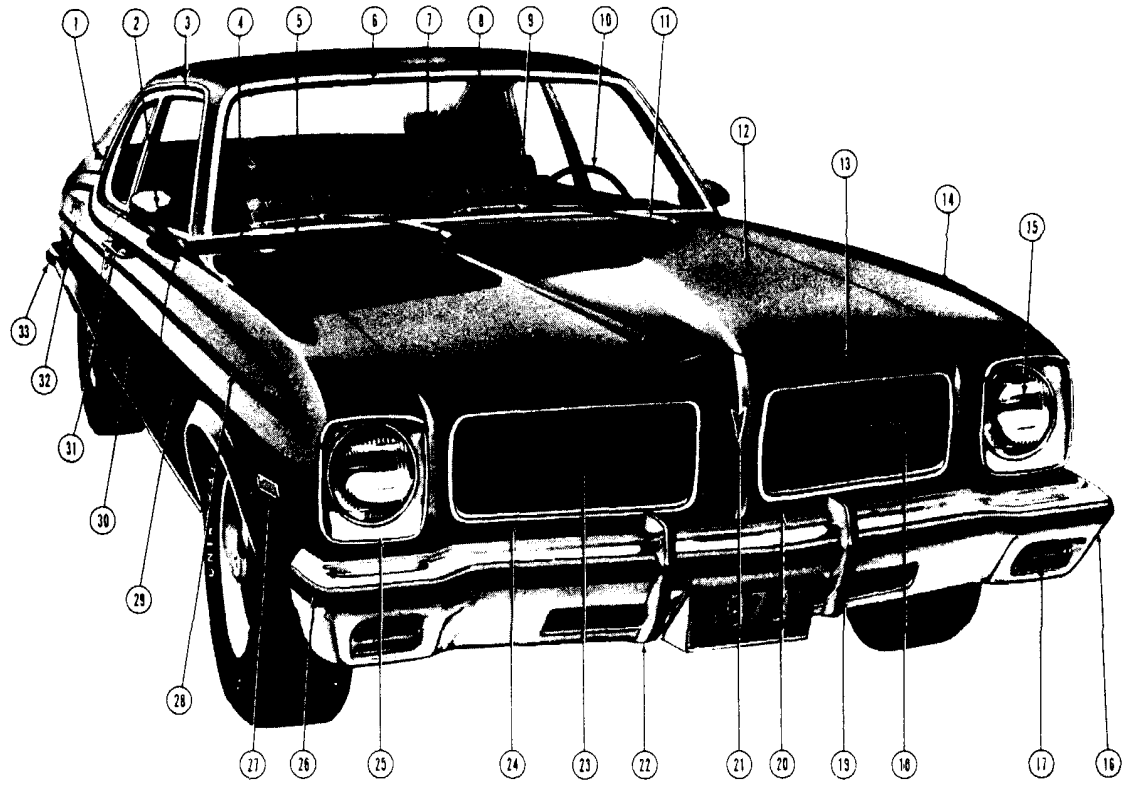
1973 HATCHBACK COUPE—XZ17

Key	Description	Group
1	— INSERT, Rear Bumper Rub	7.831
2	— PANEL, Rear Quarter Outer	12.940
3	— PLATE, Roof "Custom"	12.812
4	— EMBLEM, Roof Crest	12.812
5	— MOLDING, Quarter Window Rear Reveal	11.031
6	— GLASS, Quarter Window	11.011
7	— MOLDING, Door Upper Scalp	10.707
8	— MOLDING, Roof Drip	12.075
9	— PANEL, Roof	12.810
10	— MOLDING, Windshield Pillar Drip	12.075
11	— MOLDING, Windshield Upper & Side Reveal	10.093
12	— GLASS, Windshield	10.027
13	— ROD, Windshield Wiper	10.147
14	— PANEL, Hood	8.000
15	— GRILLE, Radiator	1.266
16	— PANEL, Grille & Headlamp Mounting	1.266
17	— EMBLEM PKG., Grille Panel	1.303
18	— BEZEL, Headlamp	2.728
19	— INSERT, Front Bumper Rub	7.831
20	— GUARD, Front Bumper	7.828
21	— LAMP ASM., Parking & Signal	2.585
22	— BUMPER, Front	7.831
23	— LAMP ASM., Front Side Marker	2.575
24	— NUT, Wheel	5.813
25	— ORNAMENT, Wheel	5.871
26	— FENDER, Front	8.130
27	— PLATE PKG., Fender Name - "Ventura"	8.147
28	— MOLDING PKG., Rocker	8.304
29	— PANEL, Door	12.895
30	— HANDLE, Door Outside	10.527
31	— WHEEL, Rally II	5.803
32	— RING, Wheel Trim	5.871
33	— BEZEL, Rear Side Marker Lamp	2.575
34	— BUMPER, Rear	7.831



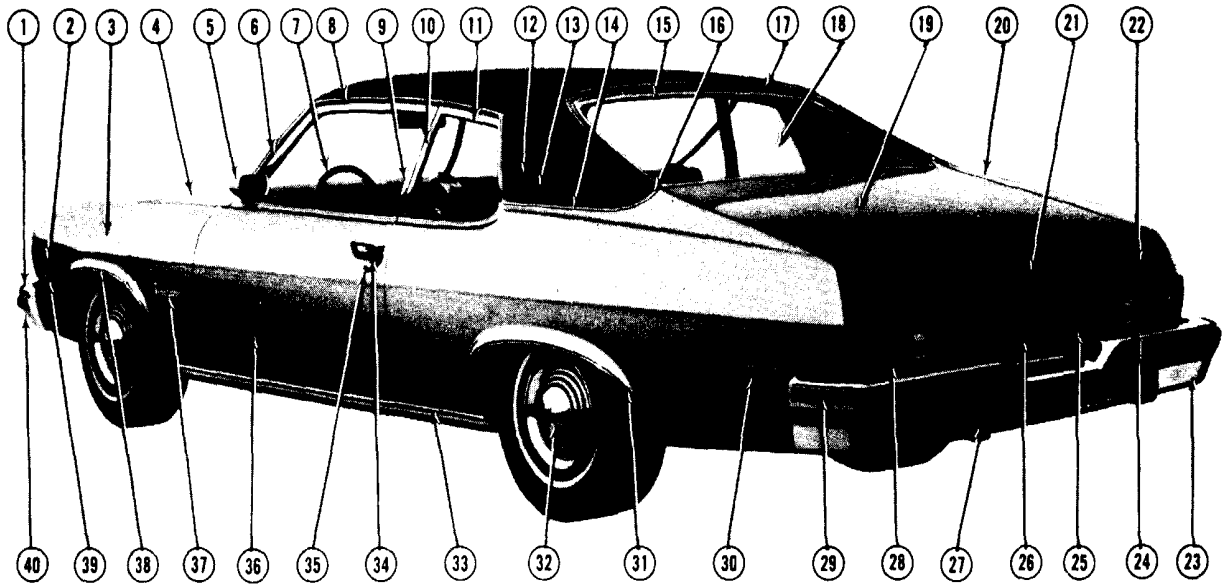
1973 HATCHBACK COUPE—XY17

Key	Description	Group
1	FILLER, Rear Bumper	7.831
2	PANEL, Rear Quarter Outer	12.940
3	LID, Rear Compartment	12.181
4	MOLDING, Back Window Upper, Lower & Side Reveal	11.208
5	PANEL, Roof	12.810
6	GLASS, Back Window	11.204
7	RESTRAINT, Front Seat Back Head	14.924
8	WHEEL, Steering	6.513
9	EMBLEM, Roof	12.812
10	MOLDING, Roof Drip	12.075
11	MOLDING, Door Rear Vertical Scalp	10.707
12	MOLDING, Door Upper Scalp	10.707
13	FENDER, Front	8.130
14	INSERT, Front Bumper Rub	7.831
15	BUMPER, Front	7.831
16	PLATE PKG., Front Fender Name - "Ventura"	8.147
17	PANEL, Door	12.895
18	CYLINDER KIT, Door Lock	10.550
19	MOLDING PKG., Rocker Panel	8.304
20	DISC, Wheel	5.858
21	LAMP ASM., Rear Side Marker	2.575
22	INSERT, Rear Bumper Rub	7.831
23	PLATE PKG., Compartment Lid Name - "Hatchback by Pontiac"	12.182
24	PANEL, Rear End	12.966
25	REPAIR UNIT, Compartment Lid Lock	12.248
26	DOOR, Fuel Tank Filler	12.945
27	LENS, Tail & Back-up Lamp	2.682
28	BUMPER, Rear	7.831



1973 2 DOOR COUPE--XZ27

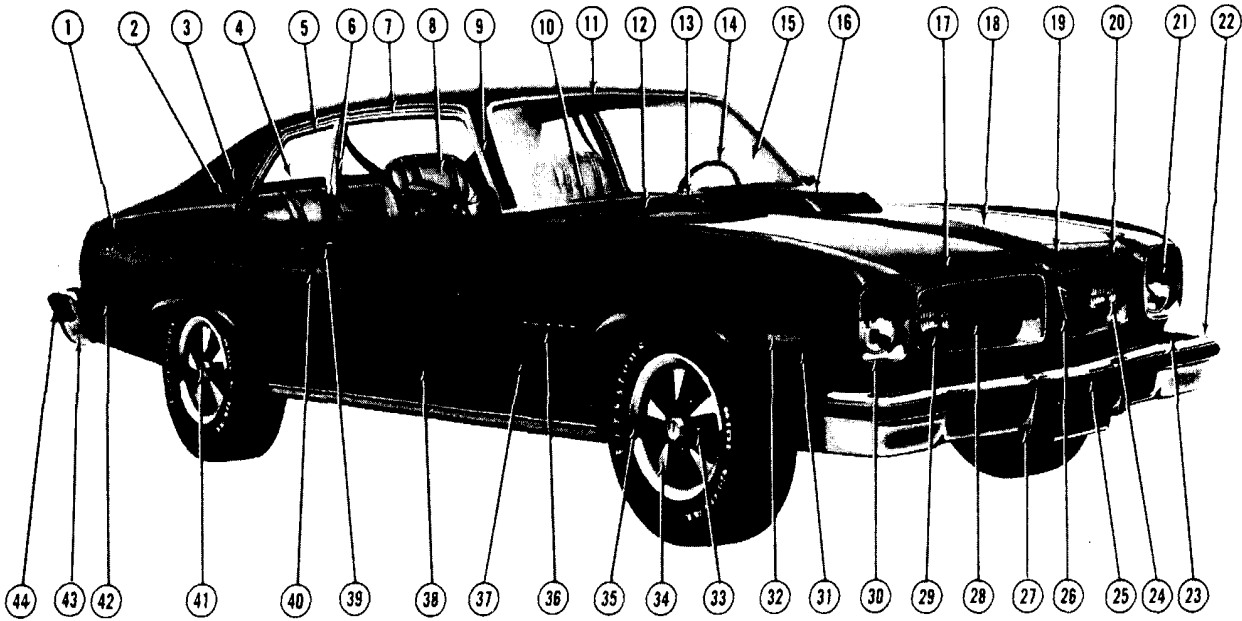
Key	Description	Group
1	EMBLEM, Roof	12.812
2	MIRROR, Outside Rear View	10.185
3	MOLDING, Roof Drip	12.075
4	MOLDING, Windshield Lower Reveal	10.093
5	GRILLE, Shroud Top Vent	12.800
6	MOLDING, Windshield Upper & Side Reveal	10.093
7	MIRROR, Inside Rear View	10.185
8	BLADE, Windshield Wiper	10.146
9	RESTRAINT, Front Seat Back Head	14.924
10	WHEEL, Steering	6.513
11	ROD, Windshield Wiper	10.147
12	PANEL, Hood	8.000
13	PANEL, Grille & Headlamp Mounting	1.266
14	FENDER, Front	8.130
15	SEALED BEAM UNIT, Headlamp	2.727
16	BUMPER, Front	7.831
17	LAMP, Parking & Signal	2.585
18	PLATE PKG., Grille Name - "Pontiac"	1.303
19	INSERT, Front Bumper Guard	7.828
20	PANEL, Front Bumper Closeout	7.831
21	EMBLEM PKG., Panel	1.303
22	GUARD, Front Bumper	7.828
23	GRILLE, Radiator (Sprint)	1.266
24	BEZEL PKG., Grille (Sprint)	1.266
25	BEZEL, Headlamp	2.728
26	INSERT, Front Bumper Rub	7.831
27	BEZEL, Front Side Marker Lamp	2.575
28	STRIPE PKG., Complete	8.132
29	PLATE PKG., Fender Name - "Ventura"	8.147
30	DOOR ASM., Front	10.351
31	HANDLE, Front Door Outside	10.527
32	STRIPE PKG., Quarter Name - "Sprint"	12.116
33	INSERT, Rear Bumper Rub	7.831



1974 VENTURA HATCHBACK COUPE—XZ-17

Key	Part Name	Group No.
1	BUMPER, Front	7.831
2	LAMP, Front Side Marker	2.575
3	FENDER, Front	8.130
4	PANEL, Hood	8.000
5	MIRROR, Outside Rear View	10.185
6	MOLDING, Door Upper Scalp	10.707
7	WHEEL, Steering	6.513
8	MOLDING, Roof Drip	12.075
9	MOLDING, Door Rear Vertical Scalp	10.707
10	MOLDING, Quarter Window Vertical Scalp	10.707
11	MOLDING, Quarter Window Upper Scalp	10.707
12	EMBLEM, Roof Crest	12.812
13	PLATE, Roof Name "Custom"	12.812
14	MOLDING, Rear Quarter Belt Reveal, Side	12.116
15	MOLDING, Back Window Reveal—Upper & Side	11.208
16	MOLDING, Rear Quarter Belt Reveal—Rear	12.116
17	MOLDING, Roof Panel—At Lid Opening	12.075
18	GLASS, Back Window	11.204
19	LID, Rear Compartment	12.181
20	PANEL, Rear Quarter Outer	12.940
21	CYLINDER KIT, Rear Compartment Lid	12.248
22	PLATE PKG., Lid Name "Hatchback"	12.182
23	BUMPER, Rear	7.831
24	PANEL, Rear Bumper Closeout (Color)	7.831
25	PANEL, Rear End	12.966
26	DOOR, Fuel Tank Filler	12.945
27	GUARD, Rear Bumper	7.828
28	LENS, Tail Lamp	2.682
29	STRIP, Rear Bumper Rub	7.831
30	BEZEL, Rear Side Marker Lamp	2.575
31	MOLDING PKG., Rear Wheel Opening	12.116
32	DISC, Wheel	5.858
33	MOLDING, Rocker Panel	8.304
34	HANDLE, Door Outside	10.527
35	CYLINDER KIT, Door Lock	10.550
36	PANEL, Door Outer	12.895
37	PLATE PKG., Front Fender Name "Ventura"	8.147
38	MOLDING PKG., Front Fender Wheel Opening	8.147
39	EMBLEM PKG., Front Fender—"350"	8.132
40	BUMPER, Front	7.831

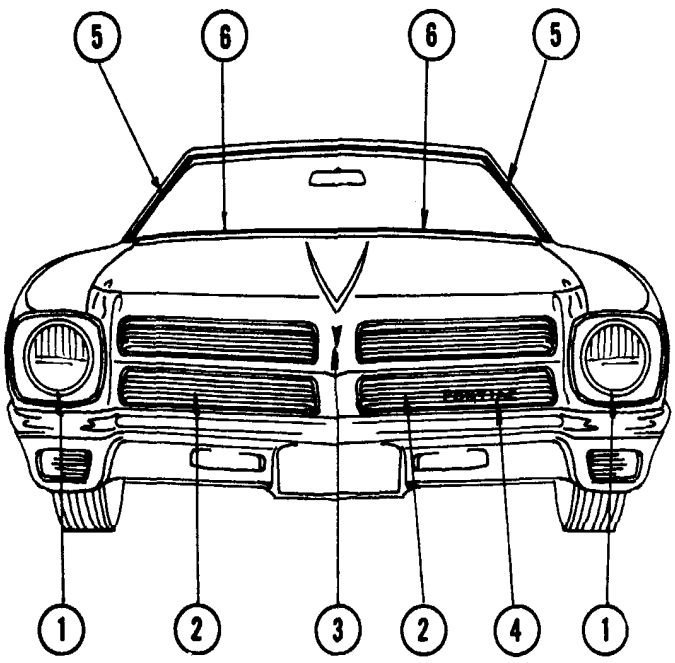
GM VENTURA PARTS CATALOGUE



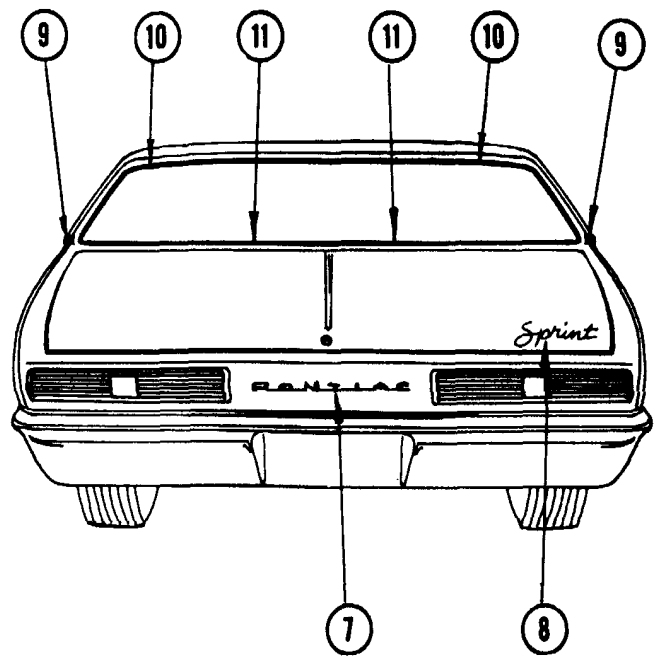
1974 VENTURA 2 DOOR COUPE-WITH GTO OPTION—XY27

Key Part Name Group No.

1	PANEL, Rear Quarter Outer	12.940
2	PLATE, Roof Name "Custom"	12.812
3	EMBLEM, Roof—Crest	12.812
4	GLASS, Rear Quarter Window	11.011
5	MOLDING, Quarter Window Rear	11.031
6	SCALP, Front Door Rear	10.707
7	SCALP, Front Door Upper	10.707
8	FRAME & SPRING, Front Seat Back	11.373
9	SCALP, Windshield Pillar Drip	12.075
10	BLADE, Windshield Wiper	10.146
11	MOLDING, Windshield Upper Reveal	10.093
12	GRILLE, Shroud Top Vent	12.800
13	ARM, Windshield Wiper	10.147
14	WHEEL, Steering	6.513
15	GLASS, Windshield	10.027
16	SCOOP, Hood Air Inlet	3.410
17	DECAL, Front End Panel—"GTO"	1.303
18	PANEL, Hood	8.000
19	PANEL, Grille	1.266
20	PLATE, Grille Panel Name "Pontiac"	1.303
21	HEADLAMP ASM.	2.725
22	BUMPER, Front	7.831
23	PANEL, Front Bumper Closeout	7.831
24	LAMP, Parking & Signal	2.585
25	STRIP, Front Bumper Rub	7.831
26	EMBLEM, Grille Panel	1.303
27	GUARD, Front Bumper	7.828
28	GRILLE, Radiator	1.266
29	BEZEL, Parking Lamp	2.593
30	BEZEL, Headlamp	2.728
31	BEZEL, Front Side Marker Lamp	2.575
32	LAMP, Front Side Marker	2.575
33	NUT, Wheel Hub Bolt	5.813
34	WHEEL, Chassis—Rally II	5.803
35	RING, Wheel Trim	5.871
36	DECAL, Front Fender—"GTO"	8.132
37	FENDER, Front	8.130
38	PANEL, Door Outer	12.895
39	HANDLE, Door Outside	10.527
40	CYLINDER KIT, Door Lock	10.550
41	ORNAMENT, Wheel Disc	5.871
42	LAMP, Rear Side Marker	2.575
43	BUMPER, Rear	7.831
44	STRIP, Rear Bumper Rub	7.831



FRONT VIEW

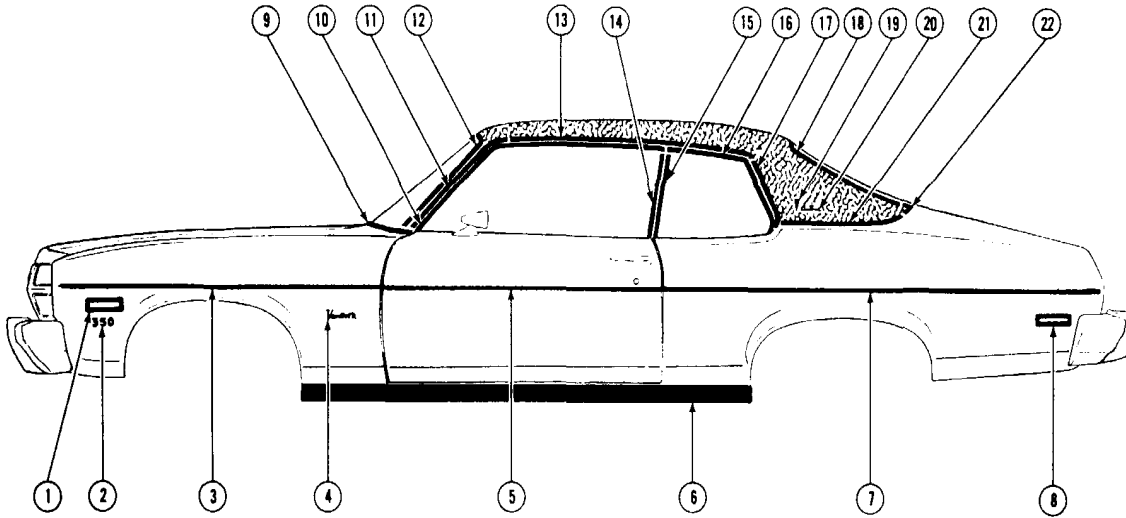


REAR VIEW

1971-72

Key	Description	Part No.	Qty.	Group
1	Bezel	486559	2	2.728
2	Grille—Right	484428-9	1	1.266
3	Emblem	485603	1	1.303
4	Emblem, "Pontiac"	485602	1	1.303
5	Moulding, (-27).....	7738570-1	1	10.093
	(-69).....	7722901-2	1	10.093
6	Moulding	8780430-1	1	10.093
7	Plate, 'Pontiac"	8705560	2	12.182

Key	Description	Part No.	Qty.	Group
8	Decal, "Sprint"			
	—White	485934	1	12.182
	—Black	485935	1	12.182
	—Gold	485936	1	12.182
9	Moulding	3940512-1	1	12.116
10	Moulding, (-27).....	7741472-3	1	11.208
	(-69).....	7722526-7	1	11.208
11	Moulding-1971	8775865-6	1	11.208
	-1972	9891474-5	1	11.208

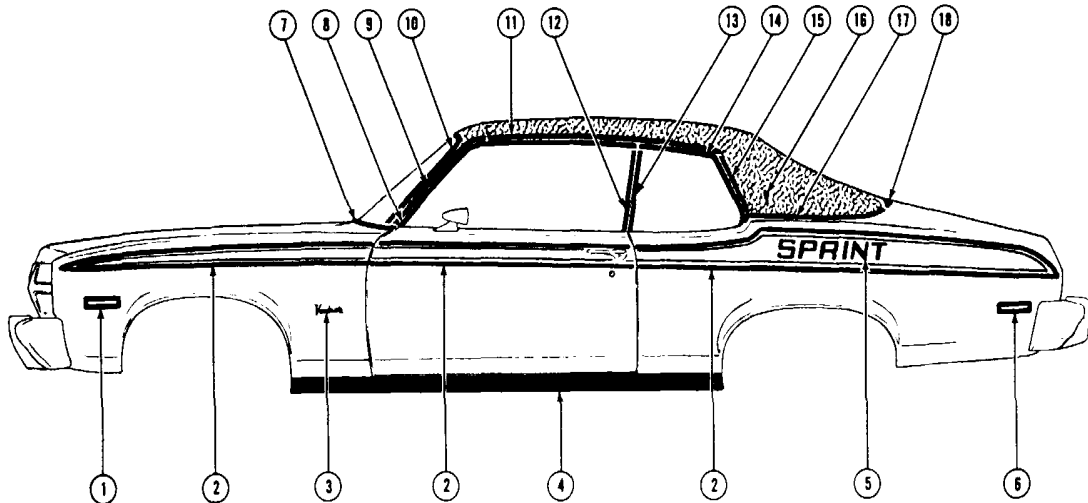


1973 2 DOOR HATCHBACK—XZ17 (350 ENGINE & CORDOVA TOP)

Key	Part Name	Part No.	Qty.	Group No.
1	BEZEL, Lamp	484317	2	2.575
2	EMBLEM PKG.,—"350"	3970546		8.147
3	MLDG. PKG., Fender	490309	2	8.132
	MLDG. (Adhesive) (2*)	493383	AR	8.132
4	PLATE PKG.—"Ventura"	491137	2	8.147
5	MLDG. (Adhesive) (1*)	490309	AR	8.132
	MLDG. (Adhesive) (2*)	493383	AR	8.132
6	MLDG. PKG., Rocker	231584	2	8.304
7	MLDG., Quarter (1*)	490309	AR	12.116
	MLDG. (Adhesive) (2*)	493383	AR	8.132
8	BEZEL, Lamp	484902	2	2.575
9	MLDG., W/S—Lower	8780430-31		10.093
10	MLDG., Scalp, Door—Upper	7734630-31		10.707
11	SCALP, Pillar Drip	7740281-82		12.075
12	MLDG., W/S—Upper and Side	7738570-71		10.093
13	SCALP, Roof—Front	9621533-34		12.075
14	MLDG., Scalp, Door—Rear	7736055-56		10.707
15	MLDG., Qtr. Wind.—Front	7783017-18		11.031
16	MLDG., Qtr. Wind.—Rear	9622703-04		11.031
17	SCALP, Roof—Rear	9668774-75		12.075
18	MLDG., Roof—At Opng.	9629628-29		12.075
19	EMBLEM, Roof—Crest	9861625	2	12.812
20	PLATE, "Custom"	9658006	2	12.812
21	MLDG., Belt—Front	9669686-87		12.116
22	MLDG., Belt—Rear	9629632-33		12.116

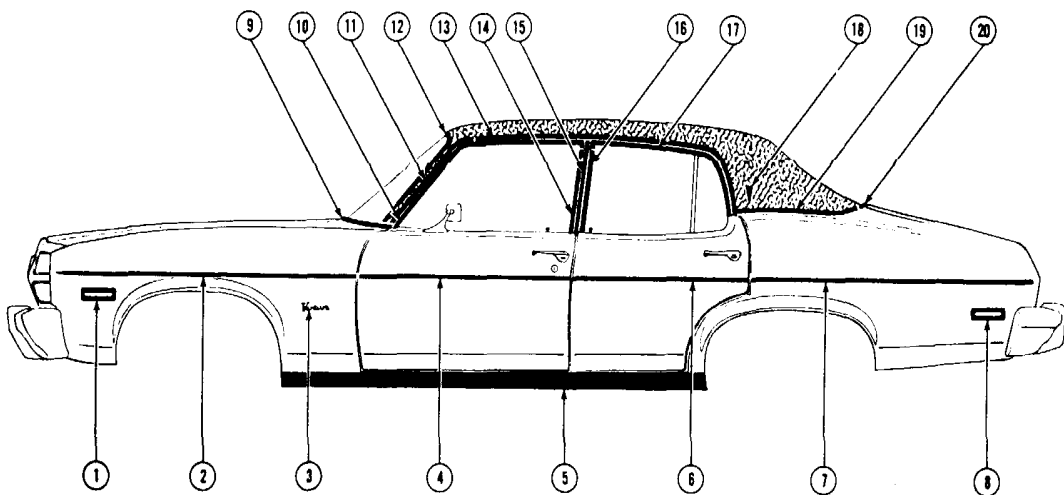
1* NOTE — 1st TYPE ADHESIVE MLDG.—SEE CATALOG (8.132) FOR IDENTIFICATION (83½" Long).

2* NOTE — 2nd TYPE ADHESIVE MLDG.—SEE CATALOG (8.132) FOR IDENTIFICATION (84" Long).



1973 2 DOOR COUPE—XY27 (SPRINT OPT. [W-53] & STRIPES)

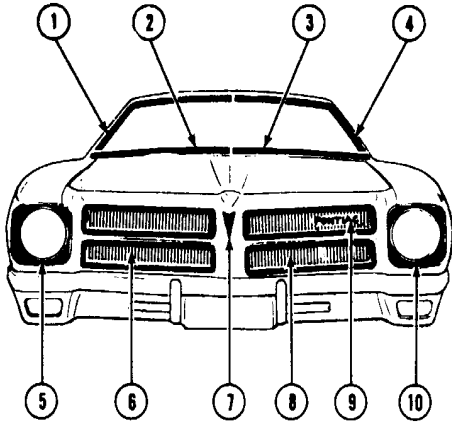
Key	Part Name	Part No.	Qty.	Group No.	Key	Part Name	Part No.	Qty.	Group No.
1	BEZEL, Lamp	484317	2	2.575	7	MLDG., W/S—Lower	8780430-31		10.093
2	STRIPE PKG., Body—Cream/Orange	492115-16		8.132	8	MLDG., Scalp, Door—Upper	7734630-31		10.707
	STRIPE PKG., Body—Yellow/Lime	492117-18		8.132	9	SCALP, Pillar—Drip	7740281-82		12.075
	STRIPE PKG., Body—Lt. Blue/Bright Blue	492119-20		8.132	10	MLDG., W/S—Upper and Side	7738570-71		10.093
	STRIPE PKG., Body—Black/Black	492121-22		8.132	11	SCALP, Roof—Front	9621533-34		12.075
3	PLATE PKG.—“Ventura”	491137	2	8.147	12	MLDG., Scalp, Door—Rear	7736055-56		10.707
4	MLDG. PKG., Rocker	231584	2	8.304	13	MLDG., Qtr. Wind.—Front	7783017-18		11.031
5	DECAL—“Sprint”—Cream/Orange	492123	2	12.116	14	MLDG., Qtr. Wind.—Rear	9622703-04		11.031
	DECAL—“Sprint”—Yellow/Lime	492124	2	12.116	15	SCALP, Roof—Rear	9668774-75		12.075
	DECAL—“Sprint”—Lt. Blue/Bright Blue	492125	2	12.116	16	EMBLEM, Roof—Crest	9861625	2	12.812
	DECAL—“Sprint”—Black/White	492126	2	12.116	17	MLDG., Belt—Front	9626545-46		12.116
6	BEZEL, Lamp	484902	2	2.575	18	MLDG. PKG., Belt—Rear	3940512-11		12.116



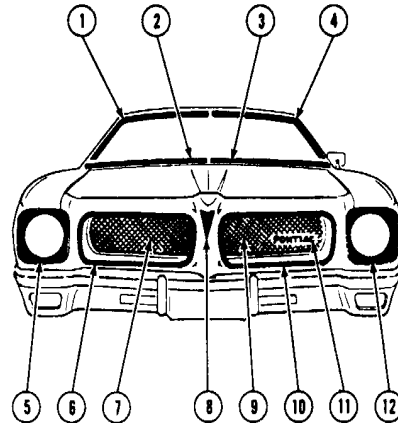
1973 4 DOOR SEDAN—XY69 (CORDOVA TOP)

Key	Part Name	Part No.	Qty.	Group No.	Key	Part Name	Part No.	Qty.	Group No.
1	BEZEL, Lamp	484317	2	2.575	9	MLDG., W/S—Lower	8780430-31		10.093
2	MLDG., Fender	490309	2	8.132	10	MLDG., Scalp, Door—Upper	7734172-73		10.707
	MLDG. (Adhesive) (2*)	493383	AR	8.132	11	SCALP, W/S Pillar	7722776-77		12.075
3	PLATE PKG.—“Ventura”	491137	2	8.147	12	MLDG., W/S—Upper and Side	7722901-02		10.093
4	MLDG., Front Door (1*)	490309	AR	12.112	13	SCALP, Roof	9617066-67		12.075
	MLDG. (Adhesive) (2*)	493383	AR	8.132	14	MLDG., Scalp, Door—Rear	7734782-83		10.707
5	MLDG. PKG., Rocker	231584	2	8.304	15	MLDG., Pillar	7737938-39		12.113
6	MLDG., Rear Door (1*)	490309	AR	12.114	16	MLDG., Scalp, Door—Front	7738112-13		10.707
	MLDG. (Adhesive) (2*)	493383	AR	8.132	17	SCALP, Scalp, Door—Upper	9613712-13		10.772
7	MLDG., Quarter (1*)	490309	AR	12.116	18	EMBLEM, Roof—Crest	9861625	2	12.812
	MLDG. (Adhesive) (2*)	493383	AR	8.132	19	MLDG. PKG., Belt—Front	3940508-07		12.116
8	BEZEL, Lamp	484902	2	2.575	20	MLDG. PKG., Belt—Rear	3940512-11		12.116

1* NOTE — 1st TYPE ADHESIVE MLDG.—SEE CATALOG (8.132) FOR IDENTIFICATION (83½" Long).
2* NOTE — 2nd TYPE ADHESIVE MLDG.—SEE CATALOG (8.132) FOR IDENTIFICATION (84" Long).



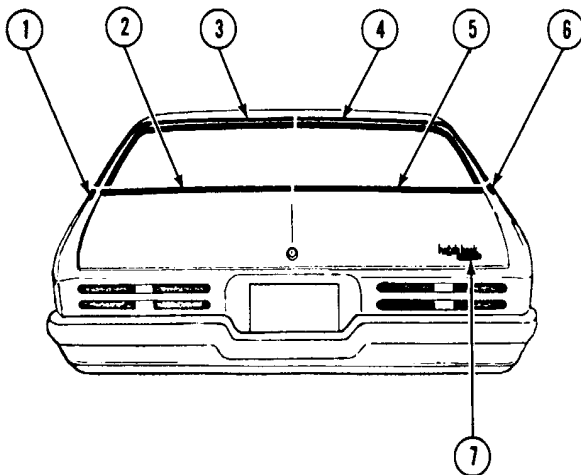
**1973 FRONT END VIEW (EXC. SPRINT)
69 STYLES SHOWN**



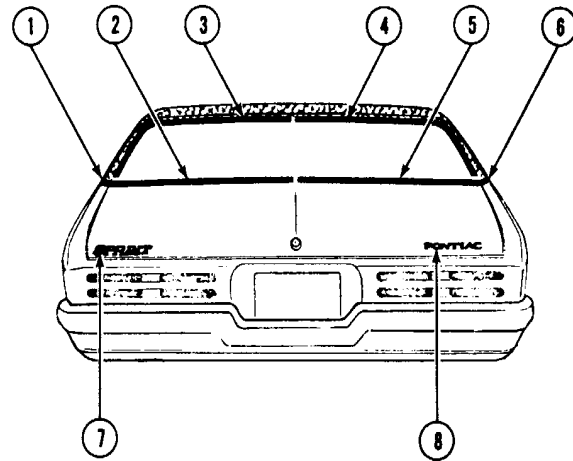
**1973 FRONT END VIEW (SPRINT OPTION—W53)
17 & 27 STYLES SHOWN**

Key	Part Name	Part No.	Group No.
1	MLDG., W/S—Upper and Side—R.H.	7722901	10.093
2	MLDG., W/S—Lower—R.H.	8780430	10.093
3	MLDG., W/S—Lower—L.H.	8780431	10.093
4	MLDG., W/S—Upper and Side—L.H.	7722902	10.093
5	BEZEL, Headlamp	486559	2.728
6	GRILLE, R.H. (Exc. Sprint)	489131	1.266
7	EMBLEM PKG., Crest	485603	1.303
8	GRILLE, L.H. (Exc. Sprint)	489132	1.266
9	PLATE PKG., "Pontiac"	491141	1.303
10	BEZEL, Headlamp	486559	2.728

Key	Part Name	Part No.	Group No.
1	MLDG., W/S—Upper and Side—R.H.	7738570	10.093
2	MLDG., W/S—Lower—R.H.	8780430	10.093
3	MLDG., W/S—Lower—L.H.	8780431	10.093
4	MLDG., W/S—Upper and Side—L.H.	7738571	10.093
5	BEZEL, Headlamp	486559	2.728
6	BEZEL PKG., Grille—R.H.	491730	1.266
7	GRILLE, Sprint	492973	1.266
8	EMBLEM PKG., Crest	485603	1.303
9	GRILLE, Sprint	492973	1.266
10	BEZEL PKG., Grille—L.H.	491731	1.266
11	PLATE PKG., "Pontiac"	491141	1.303
12	BEZEL, Headlamp	486559	2.728



**1973 REAR END VIEW
HATCHBACK STYLE—17 MODEL**



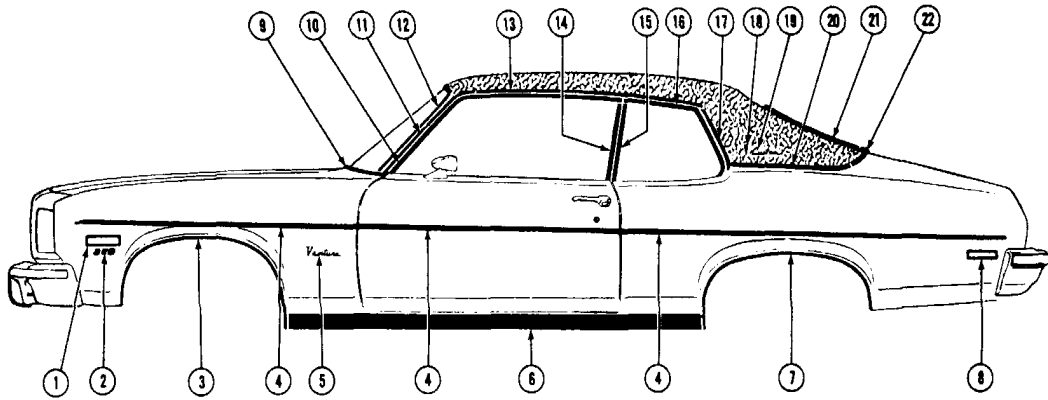
**1973 REAR END VIEW
2 & 4 DOOR STYLES EXC. HATCHBACK**

Key	Part Name	Part No.	Group No.
1	MLDG., Belt—Rear—L.H.	9629633	12.116
2	MLDG., B/Wind.—L.H.	9616875	11.208
3	MLDG., Roof—Fin.—L.H.	9629629	12.075
4	MLDG., Roof—Fin.—R.H.	9629628	12.075
5	MLDG., B/Wind.—R.H.	9616874	11.208
6	MLDG., Belt—Rear—R.H.	9629632	12.116
7	PLATE PKG., "Hatchback by Pontiac"	9642329	12.182

Key	Part Name	Part No.	Group No.
1	MLDG. PKG., Belt—Rear—L.H.	3940511	12.116
2	MLDG., B/Wind.—Upper and Side—L.H.	7741473	11.208
	MLDG., B/Wind.—Upper and Side—L.H. (4 Dr.)	7722527	11.208
3	MLDG., B/Wind.—Lower—L.H.	9891475	11.208
4	MLDG., B/Wind.—Lower—R.H.	9891474	11.208
5	MLDG., B/Wind.—Upper and Side—R.H.	7741472	11.208
	MLDG., B/Wind.—Upper and Side—R.H. (4 Dr.)	7722526	11.208
6	MLDG. PKG., Belt—Rear—R.H.	3940512	12.116
7	DECAL, "Sprint"—Cream/Orange	492123	12.182
	DECAL, "Sprint"—Yellow/Green	492124	12.182
	DECAL, "Sprint"—Blue	492125	12.182
	DECAL, "Sprint"—White/Black	492126	12.182
8	PLATE PKG., "Pontiac"	9882700	12.182

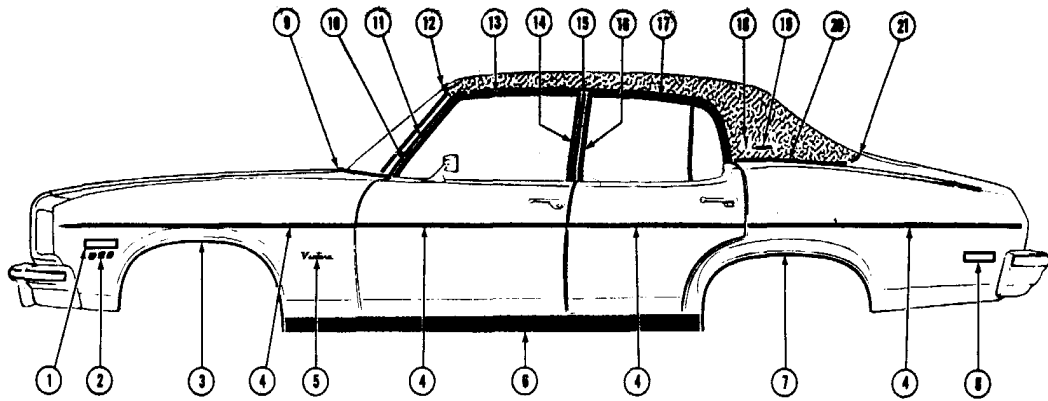


VENTURA II PARTS CATALOGUE



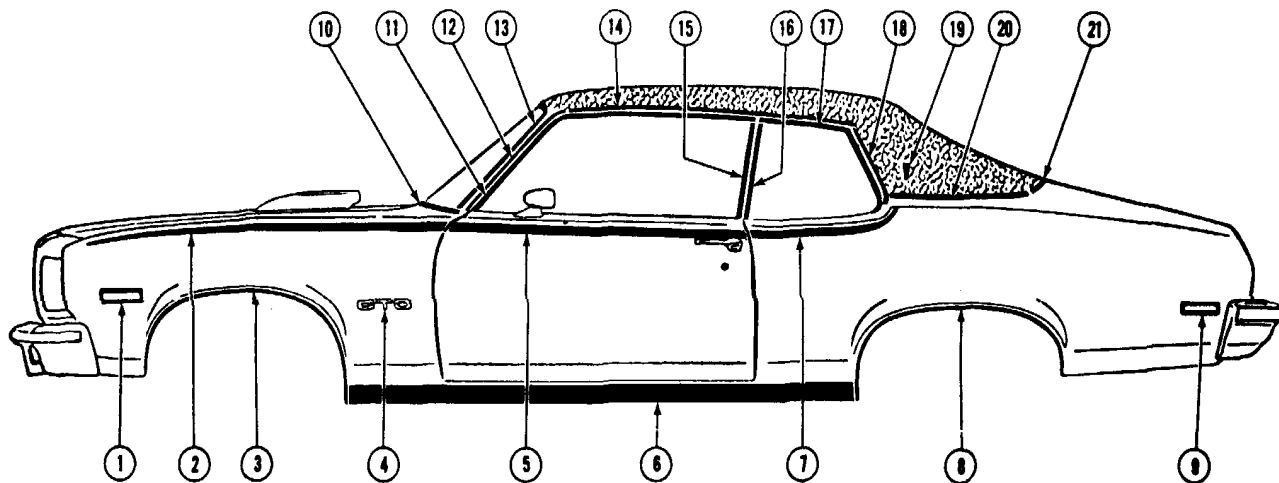
1974 VENTURA CUSTOM 2 DOOR HATCHBACK — XZ17 (350 ENGINE — CORDOVA TOP & SIDE MOULDINGS (B-84))

Key	Description	Part No.	Group	Key	Description	Part No.	Group
1	Bezel, Lamp	484317	2.575	12	Mldg., W/S — Upper	1651136-37	10.093
2	Emblem Pkg., — "350"	3970546	8.147	13	Scalp, Roof — Front	9621533-34	12.075
3	Mldg. Pkg., Wheel Opening	231580-81	8.147	14	Scalp, Door — Rear	7736055-56	10.707
4	Mldg., Side (Adhesive)	493383	8.132	15	Mldg., Qtr. Wind. — Front	7783017-18	11.031
5	Plate Pkg., — "Ventura"	491137	8.147	16	Mldg., Qtr. Wind. — Rear	9622703-04	11.031
6	Mldg. Pkg., Rocker	231584	8.304	17	Scalp, Roof — Rear	9668774-75	12.075
7	Mldg., Pkg., Wheel Opening	8707827-28	12.116	18	Emblem, Roof — Crest	9861625	12.812
8	Bezel, Lamp	484902	2.575	19	Plate, Roof — "Custom"	9658006	12.812
9	Mldg., W/S — Lower	8780430-31	10.093	20	Mldg., Belt — Front	9669686-87	12.116
10	Scalp, Door — Upper	7734630-31	10.707	21	Mldg., Roof — At Lid Opening	9629628-29	12.075
11	Scalp, Pillar Drip	7740281	12.075	22	Mldg., Belt — Rear	9629632-33	12.116



1974 VENTURA CUSTOM 4 DOOR SEDAN — XZ69 (CORDOVA TOP)

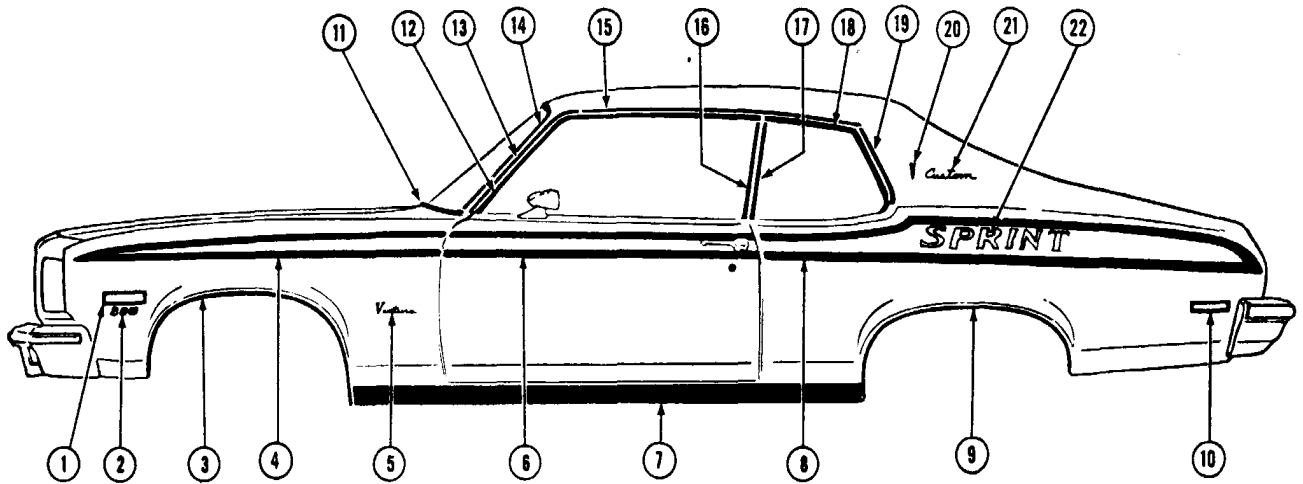
Key	Description	Part No.	Group	Key	Description	Part No.	Group
1	Bezel, Lamp	484317	2.575	12	Mldg., W/S — Upper	1651133-34	10.093
2	Emblem Pkg., "350"	3970546	8.147	13	Scalp, Roof	9617066-67	12.075
3	Mldg., Pkg., Wheel Opening	231580-81	8.147	14	Scalp, Door — Rear	7734782-83	10.707
4	Mldg., Side (Adhesive)	493383	8.132	15	Mldg., Pillar	7737938-39	12.113
5	Plate Pkg., — "Ventura"	491137	8.147	16	Scalp, Door — Front	7738112-13	10.707
6	Mldg. Pkg., Rocker	231584	8.304	17	Scalp, Door — Upper	9613712-13	10.772
7	Mldg. Pkg., Wheel Opening	8707827-28	12.116	18	Emblem, Roof — Crest	9861625	12.812
8	Bezel, Lamp	484902	2.575	19	Plate, Roof — "Custom"	9658006	12.812
9	Mldg., W/S — Lower	8780430-31	10.093	20	Mldg. Pkg., Belt — Front	3940508-07	12.116
10	Scalp, Door — Upper	7734172-73	10.707	21	Mldg. Pkg., Belt — Rear	3940512-11	12.116
11	Scalp, Pillar Drip	7722776-77	12.072				



**1974 VENTURA 2 DOOR COUPE — XY27
(GTO OPTION — STRIPES & CORDOVA TOP)**

Key	Description	Part No.	Group
1	Bezel, Lamp	484317	2.575
2	Stripe, Fender — Green	496222-23	8.132
	Stripe, Fender — Orange	496228-28	8.132
	Stripe, Fender — Blue	496234-35	8.132
3	Mldg. Pkg., Wheel Opening	231580-81	8.147
4	Decal — "GTO" — Green	496025	8.132
	Decal — "GTO" — Orange	496026	8.132
	Decal — "GTO" — Blue	496027	8.132
5	Stripe, Door — Green	496224-25	12.112
	Stripe, Door — Orange	496230-31	12.112
	Stripe, Door — Blue	496236-37	12.112
6	Mldg. Pkg., Rocker	231584	8.304
7	Stripe, Qtr. — Green	496226-27	12.116
	Stripe, Qtr. — Orange	496232-33	12.116
	Stripe, Qtr. — Blue	496238-39	12.116

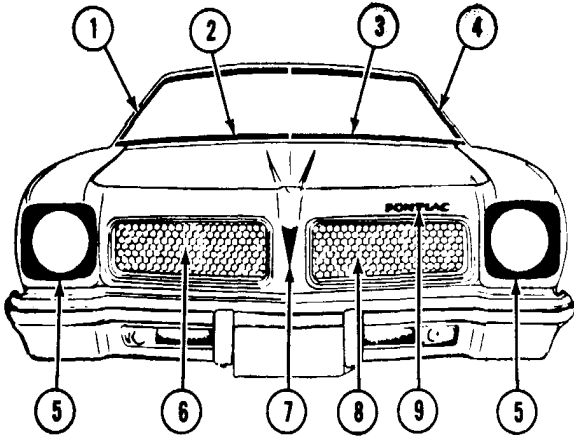
Key	Description	Part No.	Group
8	Mldg. Pkg., Wheel Opening	8707827-28	12.116
9	Bezel, Lamp	484902	2.575
10	Mldg., W/S — Lower	8780430-31	10.093
11	Scalp, Door — Upper	7734630-31	10.707
12	Scalp, Pillar Drip	7740281-82	12.075
13	Mldg., W/S — Upper	1651136-37	10.093
14	Scalp, Roof — Front	9621533-34	12.075
15	Scalp, Door — Rear	7736055-56	10.707
16	Mldg., Qtr. Wind. — Front	7783017-18	11.031
17	Mldg., Qtr. Wind. — Rear	9622703-04	11.031
18	Scalp, Roof — Rear	9668774-75	12.075
19	Emblem, Roof — Crest	9861625	12.812
20	Mldg., Belt — Front	9626343-46	12.116
21	Mldg., Belt — Rear	3940512-11	12.116



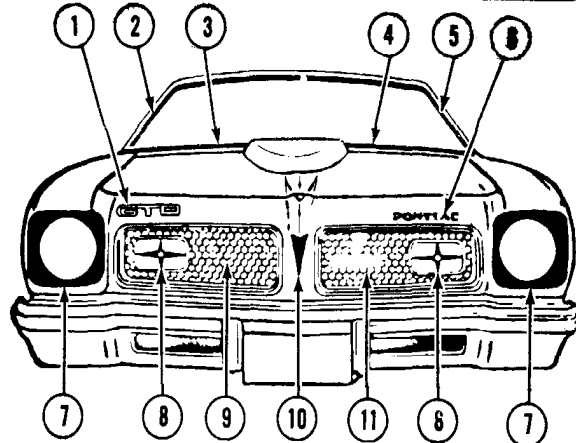
**1974 VENTURA CUSTOM 2 DOOR HATCHBACK — XZ17
(350 ENGINE & SPRINT OPT.)**

Key	Description	Part No.	Group
1	Bezel, Lamp	484317	2.575
2	Emblem Pkg., — "350"	3970546	8.147
3	Mldg., Pkg., Wheel Opening	231580-81	8.147
4	Stripe, Fender — Cream & Orange	490362-63	8.132
	Stripe, Fender — Yellow & Green	490368-69	8.132
	Stripe, Fender — Blue	490374-75	8.132
5	Plate Pkg., — "Ventura"	491137	8.147
6	Stripe, Door — Cream & Orange	490364-65	12.112
	Stripe, Door — Yellow & Green	490370-71	12.112
	Stripe, Door — Blue	480376-77	12.112
	Stripe, Door — Black	490382-83	12.112
7	Mldg. Pkg., Rocker	231584	8.304
8	Stripe, Qtr. — Cream & Orange	490366-67	12.116
	Stripe, Qtr. — Yellow & Green	490372-73	12.116
	Stripe, Qtr. — Blue	490378-79	12.116
	Stripe, Qtr. — Black	490384-85	12.116
9	Mldg. Pkg., Wheel Opening	8707827-28	12.116

Key	Description	Part No.	Group
10	Bezel, Lamp	484902	2.575
11	Mldg., W/S — Lower	8780430-31	10.093
12	Scalp, Door — Upper	7734630-31	10.707
13	Scalp, Pillar Drip	7740281-82	12.075
14	Mldg., W/S — Upper	1651136-37	10.093
15	Scalp, Roof — Front	9621533-34	10.075
16	Scalp, Door — Rear	7736055-56	10.707
17	Mldg., Qtr. Wind. — Front	7783017-18	11.031
18	Mldg., Qtr. Wind. — Rear	9622703-04	11.031
19	Scalp, Roof — Rear	9668774-75	12.075
20	Emblem, Roof — Crest	9861625	12.812
21	Plate, Roof — "Custom"	9658006	12.812
22	Decal Pkg., — "Sprint" — Cr. & Or.	492123	12.116
	Decal Pkg. — "Sprint" — Yl. & Gr.	492124	12.116
	Decal Pkg. — "Sprint" — Blue	492125	12.116
	Decal Pkg. — "Sprint" — Black	492126	12.116



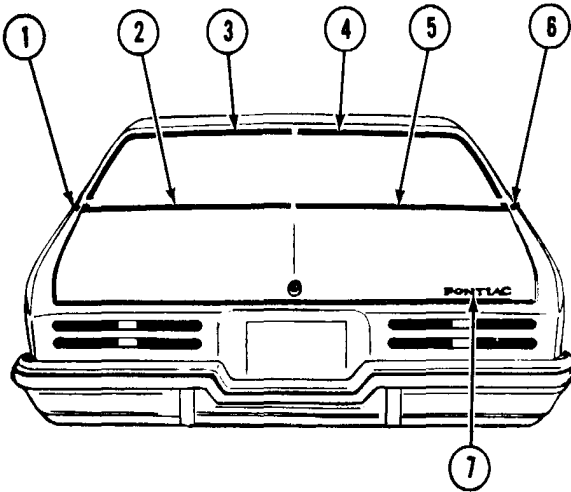
**1974 VENTURA FRONT END VIEW
69 STYLES SHOWN**



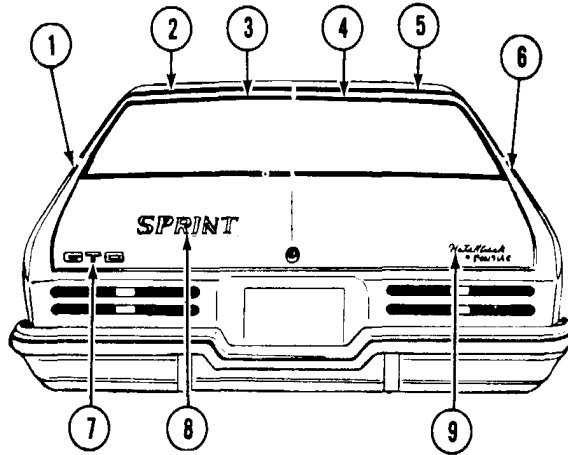
**1974 VENTURA FRONT END VIEW
(GTO OPTION)
(17 & 27 STYLES SHOWN)**

Key	Description	Part No.	Group
1	Mldg., W/S — Side — RH	1651133	10.093
2	Mldg., W/S — Lower — RH	8780430	10.093
3	Mldg., W/S — Lower — LH	8780431	10.093
4	Mldg., W/S — Side — LH	1651134	10.093
5	Bezel, Headlamp	486559	2.728
6	Grille — RH	492647	1.266
7	Emblem Pkg., Panel — Crest	493693	1.303
8	Grille — LH	492648	1.266
9	Plate Pkg., — "Pontiac"	495125	1.303

Key	Description	Part No.	Group
1	Decal, — "GTO" — Green	496025	1.303
	Decal, — "GTO" — Orange	496026	1.303
	Decal — "GTO" — Blue	496027	1.303
2	Mldg., W/S — Side — RH	1651136	10.093
3	Mldg., W/S — Lower — RH	8780430	10.093
4	Mldg., W/S — Lower — LH	8780431	10.093
5	Mldg., W/S — Side — LH	1651137	10.093
6	Plate Pkg., "Pontiac"	495125	1.303
7	Bezel, Headlamp	486559	2.728
8	Bezel, Parking Lamp	5958041	2.593
9	Grille — RH	492713	1.266
10	Emblem Pkg., Panel — Crest	493693	1.303
11	Grille — LH	492714	1.266



**1974 VENTURA REAR END VIEW
2 & 4 DOOR STYLES (27 & 69)
EXC. HATCHBACK**



**1974 VENTURA REAR END VIEW
HATCHBACK STYLE — 17 MODEL
(GTO & SPRINT OPTIONS SHOWN)**

Key	Description	Part No.	Group
1	Mldg. Pkg., Belt — Rear — LH	3940511	12.116
2	Mldg., B/Wind. — Lower — LH	9891475	11.208
3	Mldg., B/Wind. — Upper — LH (27)	7741473	11.208
	Mldg., B/Wind. — Upper — LH (69)	7722527	11.208
4	Mldg., B/Wind. — Upper — RH (27)	7741472	11.208
	Mldg., B/Wind. — Upper RH (69)	7722526	11.208
5	Mldg., B/Wind. — Lower — RH	9891474	11.208
6	Mldg. Pkg., Belt — Rear — RH	3940512	12.116
7	Plate Pkg., — Lid — "Pontiac"	9882700	12.182

Key	Description	Part No.	Group
1	Mldg., Belt — Rear — L.H.	9629633	12.116
2	Mldg., Roof — Fin. — LH	9629629	12.075
3	Mldg., B/Wind. — LH	9616875	11.208
4	Mldg., B/Wind. — RH	9616874	11.208
5	Mldg., Roof — Fin. — RH	9629628	12.075
6	Mldg., Belt — Rear — RH	9629632	12.116
7	Decal — "GTO" — Green	496025	12.182
	Decal — "GTO" — Orange	496026	12.182
	Decal — "GTO" — Blue	496027	12.182
8	Decal — "SPRINT" — Cream & Orange	492123	12.182
	Decal — "SPRINT" — Yellow & Green	492124	12.182
	Decal — "SPRINT" — Blue	492125	12.182
	Decal — "SPRINT" — Black	492126	12.182
9	Plate, Lid — "Hatchback by Pontiac"	9642329	12.182